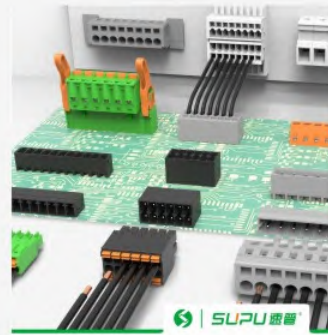


SUPU 速普

轨装接线端子选型手册
RAIL-MOUNTED TERMINAL BLOCK



SUPU 速普

PCB连接器及端子选型手册
PCB CONNECTORS AND TERMINAL BLOCKS



SUPU 速普

工业开关选型手册
INDUSTRIAL SWITCH



SUPU 速普

重载连接器选型手册
HEAVY DUTY CONNECTOR



SUPU 速普

接口模块选型手册
INTERFACE MODULE



SUPU 速普

圆形连接器选型手册
CIRCULAR CONNECTOR BLOCK



SUPU 速普

定制部件选型手册
Customized Parts

宁波速普电子有限公司
NINGBO SUPU ELECTRONICS CO.,LTD.

地址 | 中国浙江省慈溪市坎墩街道兴镇街625号
Add | No.625,Xingzhen Street,Kandun,Cixi City,Zhejiang,China
P.C. | 315303
Service Hotline | 400-626-6336
Tel | 0574-63288158
Fax | 0574-63288170
E-mail | askme@supu.cn
Http | www.supu.com.cn



工业开关选型手册 Industrial Switch V2.1 I



SUPU 速普

V2.1 I

工业开关选型手册
INDUSTRIAL SWITCH



宁波速普电子成立于1999年，现有电连接器、工业开关、电子产品、定制化产品四大业务版块，是一家集研发、生产、销售、服务于一体的电气产业全球优秀供应商。

速普产品包括轨装接线端子、PCB连接器、工业开关、圆形连接器、重载连接器、接口模块等。公司产品已通过CQC、UL、VDE、TUV、CE、ROHS、REACH等多项认证。公司已通过ISO9001、ISO14001、ISO/TS22163和IATF16949等管理体系认证。

速普产品广泛应用于电梯、电力、轨道交通、工业自动化、新能源、照明、船舶、仪器仪表、机械设备等领域。自公司创立以来，秉承产品创新与科技前瞻的精神，建立了先进的技术研发中心，已获得国家高新技术企业、国家专精特新小巨人企业、宁波工程技术中心等多项荣誉。

在提供标准产品外，同时为客户带去定制化产品解决方案，有效满足客户个性化需求。速普建立了完善的全球销售网络，产品畅销中国、俄罗斯、德国、西班牙、美国、巴西、日本等100多个国家和地区。

Ningbo Supu Electronics Co., Ltd. was established in 1999, which has been a collection of R&D, production, sales, service in one of the world's outstanding suppliers of electrical industry, with four business sections: electrical connector, industrial switch, electronic products, and customized components.

Supu products include Rail-mounted terminals, PCB connectors, Industrial switches, Circular connectors, Heavy-duty connectors, Interface modules, etc. which have passed CQC, UL, VDE, TUV, CE, ROHS, REACH and other certifications. The company has passed ISO9001, ISO14001, ISO/TS22163 and IATF16949 management system certification.

Supu products are widely used in elevator, electric power, rail transit, industrial automation, new energy, lighting, ships, instruments, mechanical equipment and other fields. Since its establishment, adhering to the spirit of product innovation and technological foresight, the company has established an advanced technology research and development center, which has won many honors such as National High-tech Enterprise, National Specialized and New Small Giant Enterprise, Ningbo Engineering Technology Center, etc.

In addition to providing standard products, Supu also bring customized product solutions to effectively meet customers' personalized needs. Supu has established a perfect global sales network, and its products sell well in more than 100 countries and regions such as China, Russia, Germany, Spain, the United States, Brazil, Japan, etc.

使命 Mission

追求全体员工物质和精神两方面的幸福，提升企业价值，
为人类和社会进步与发展做出贡献
Pursuit happiness of all staff in material & spiritual,
promote the enterprise value, contribute to the progress
& development for human & society



愿景 Corporation Vision

成为全球电气产业经营典范
To be the model of the global electric industry



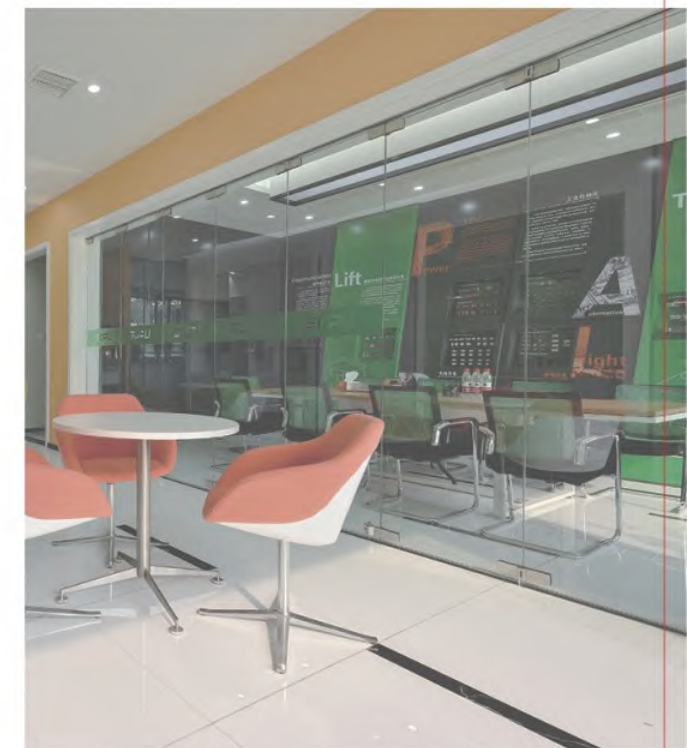
核心价值观 Core Values

勤奋、创新、内求、利他
Diligence, Innovative, Self-seeking, Altruism



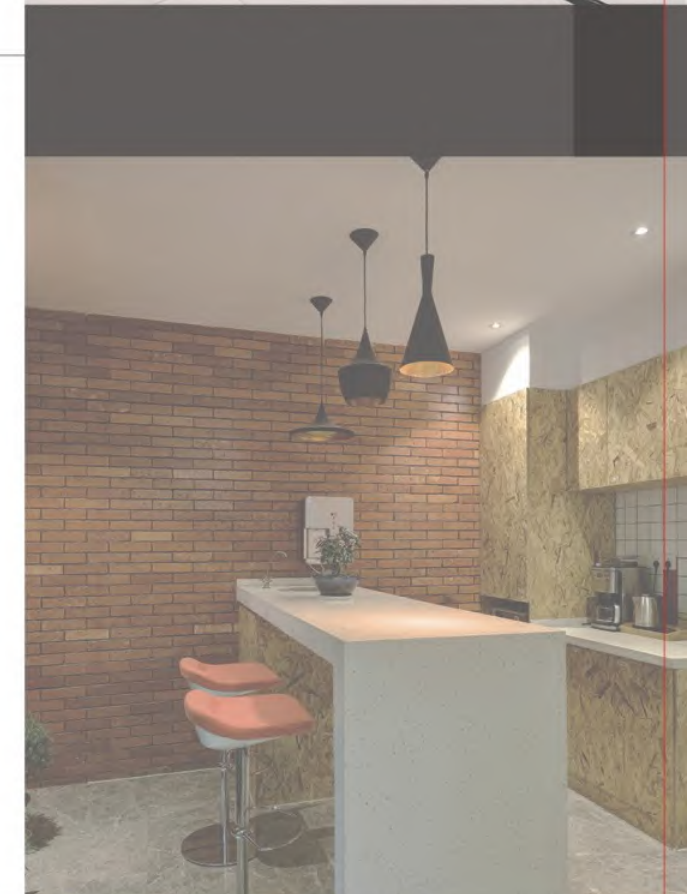
质量方针 Quality Policy

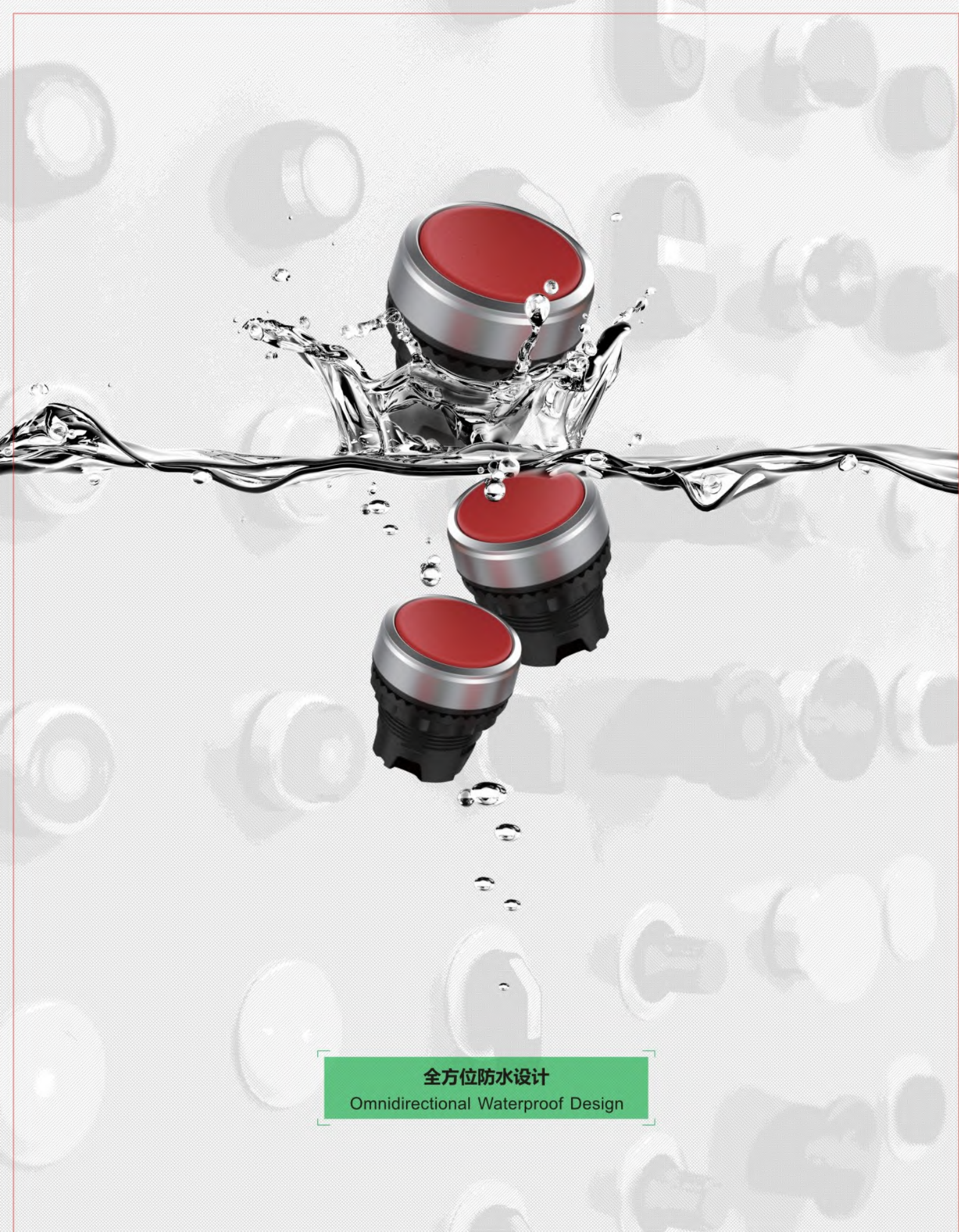
追求全程精益品质 持续改进 超越顾客期望 打造行业品牌
To pursuit full lean quality Continuous improvement Exceed
customers expectations Build industry brand



2021变革年 Innovation Year 2021

全面精益 实现新跨越——聚焦客户需求，精耕内部运营，
追求经营效能最佳化！
Comprehensive lean, achieve new progress--
Focus on customer needs, improve internal operation,
seek for best efficiency.





全方位防水设计
Omnidirectional Waterproof Design

TS2系列按钮 TS2 Series

- P01 特性说明/Features
- P03 编码规则/How to Order
- P04 技术参数/Technical Data
- P05 平钮/PushButton
- P10 蘑菇钮/Mushroom PushButton
- P12 急停钮/E-Stop PushButton
- P14 拨动钮/Toggle Switch
- P15 停止钮/Stop PushButton
- P17 双位钮/Twin PushButton
- P18 旋钮/Selector Switch
- P22 钥匙钮/Key Switch
- P24 指示灯/Pilot Light
- P25 控制盒/Enclosure
- P26 模块/Module
- P28 附件/Accessory
- P29 印字/Inscription
- P31 尺寸图及使用说明/User Manual

TS6系列按钮 TS6 Series

- P33 特性说明/Features
- P35 编码规则/How to Order
- P36 技术参数/Technical Data
- P37 平钮/PushButton
- P41 旋钮/Selector Switch
- P43 钥匙钮/Key Switch
- P45 急停钮/E-Stop PushButton
- P46 模块/Module
- P47 指示灯/Pilot Light
- P48 附件/Accessory
- P49 印字/Inscription
- P51 尺寸图及使用说明/User Manual

TS6A系列按钮 TS6A Series

- P53 特性说明/Features
- P53 编码规则/How to Order
- P54 技术参数/Technical Data
- P55 平钮/PushButton
- P57 印字/Inscription
- P58 尺寸图及使用说明/User Manual

TX1系列限位开关 TX1 Series Limit Switch

- P59 特性说明/Features
- P59 编码规则/How to Order
- P60 技术参数/Technical Data
- P61 TX1系列限位开关/TX1 series Limit Switch
- P84 尺寸图及使用说明/User Manual

电梯门开关 Elevator Door Switch

- P87 技术参数/Technical Data
- P88 开关选型/Elevator Door Switch

▲天枢系列--防护等级，高人一筹！ TS Series - Ahead Of Others By IP

天枢TS2全系列按钮防护等级IP65起，内部密封圈采用不锈钢覆膜密封设计，无需附加防护罩即可轻松实现防水、防尘。平钮、蘑菇钮、拨动钮、停止钮、指示灯、控制盒防护等级高达IP67，即便将按钮置于水下操作也无需担忧。

TS2 full range pushbutton are all above than IP65, while internal seal is made by flimmed stainless steel. It's well-done to get water or dust proof whith out any cover. Pushbutton, mushroom, toggle, stop pushbutton, pilot light, control box all of them IP67, where is no worry even through put them under water.



▲紧急停止按钮 Emergency Stop Pushbutton Switches

当生命和财产安全受到严重威胁的那一刻，我们为您提供最后一道安全保障。We have the final protection when life or wealth get threaten.

安全双保险锁定结构 Safty Double Insurance Locking Structure

正常使用过程中，人体或工具会由疏忽而接触到急停开关的头部，容易引发开关模块的误动作。而本按钮采用了特殊结构设计，保证在偶然性误操作的前提下开关模块触点并不会断开直到操作头部的结构被彻底锁定为止。该特性符合IEC60947-5-5，6-2标准，防止急停钮的非主观性误操作。

When normal using, people or tool may touch the switch head due to carelessness. What will cause mistake action. Supu E-stop has special design. It make sure the switches will not turn off when careless mistake action unless the switch is totally locked. This function is approval to IEC60947-5-5, 6-2 standard, which will protect from carelessness action.



直接断开操作功能 Immediately breakdown function

即便开关触点发生熔焊，也能通过额外施加的外力按压按钮使得触点分断，进而使电路被肯定断开。(符合IEC60947-5-1，附录K，IEC60947-5-5，5-2)

The switches can get broken down even though the switch get melting-welding. Where it get the press force outside to make the contact break down so as to the circuit get down. (Approval IEC60947-5-1. Attachment K, IEC60947-5-5, 5-2)

行业内领先的操动器直接断开操作功能设计

The advanced technology of push-pull device to get break down in the feild

操动器与开关模块有刚性连接设计，从而确保在任何意外情况下，触点都能够被分断。

The head and contact are connected solidly. It makes the contact can break down in any cases.

锁定机构的安全释放功能

Locking device Releasing Safty Function

头部旋转释放内部锁门的设计能有效降低磨损。所以即使在长期使用后，也能避免因振动或触头压力导致的误动作(符合IEC60947-5-5 6.3.1)

The head truning to bar releasing structure which reducing a lot of wearing. Even after long using, it avoids many mistake action caused from vibration or head pressure.(approval to IEC60947-5-5 6.3.1)

防异物和防止前面板强行拆卸的安全设计

Safty design from unexpected thing or rude surface breaking down

操作头部结构设计可防止在面板前面强行拆卸按钮(符合IEC60947-5-5，6.3.2)

The head design is safe from breaking down rudely on surface (approval to IEC60947-5-5, 6.3.2)

▲开关模块，多变组合 Free Combined Contacts

| | |
|--------------|---------------|
| 中座 Holder | 模块一 Contact 1 |
| | 模块二 Contact 2 |
| | 模块三 Contact 3 |

蠕虫型常闭模块具有触点自洁功能和直接断开操作功能(符合IEC60947-5-1 附件K)。

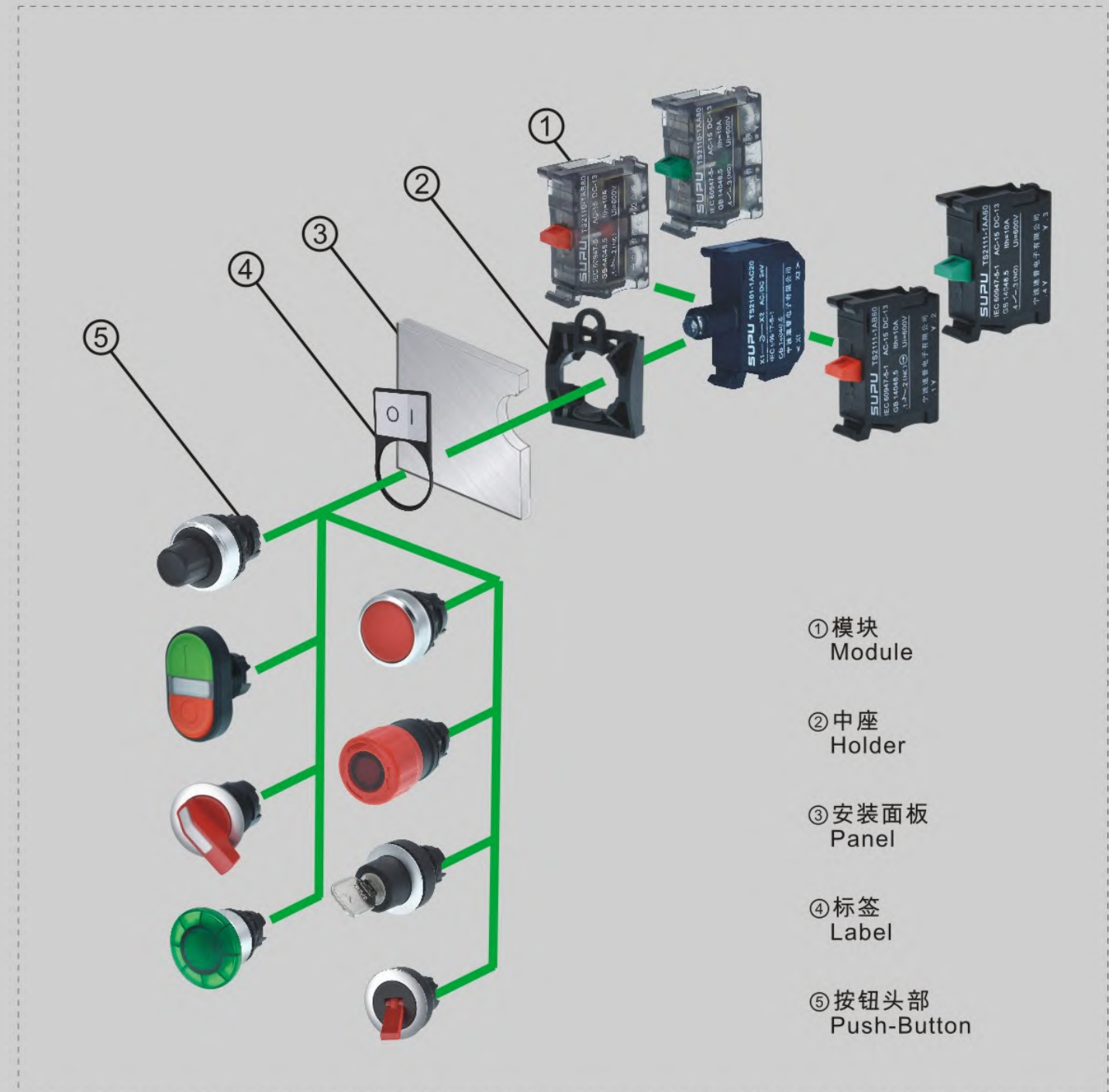
快动型模块具有触点自洁功能，触头运动速度与操作器的运动速度无关，接通、分断操作更稳定。支持堆叠安装，推荐最多安装2层6个开关模块。结构紧凑、小巧、节约机柜空间。

Squirm contact have the self cleaning and immediatly breakdown functions. (approval to IEC60947-5-1 Attachment K). Momentary contact have the self cleaning function. The contact speed is not relative to press down part speed. It makes the steady when on or off. Support for levels assembly, suggested level is 2 levels at max 6 contacts. Compacted struture and small size, Save conbinet space.

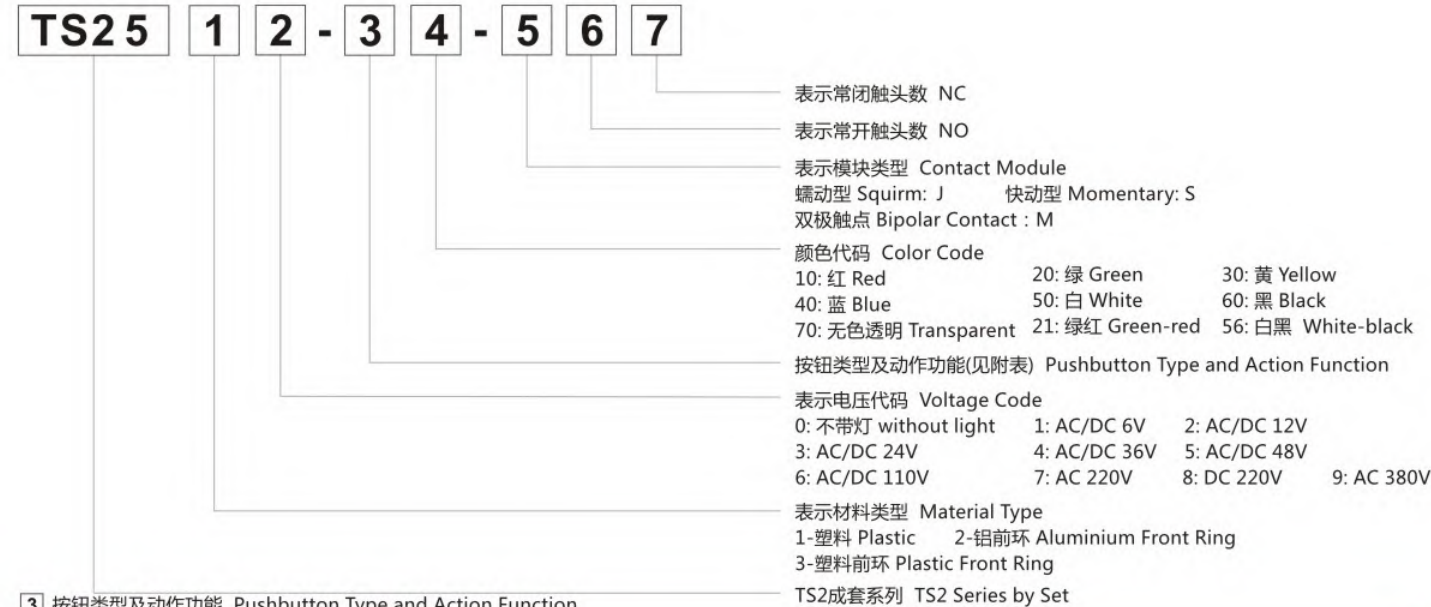
▲紧凑型指示灯，精巧耐用 Compacted indicator light, well designe and duareable

- 采用高亮度LED芯片，功耗低、寿命长。
- 三种头型，可根据客户提供文字、符号印刷。
- 安装简便，螺母直接锁紧即可。
- 使用电压范围广，提供9种规格可选，支持特殊电压规格定制。

- Adopt brighted LED chip, low power cost and long life cycle.
- 3 kinds of head, printing aviabile for customers' request.
- Easy assembly, just screw tightly by knob to lock.
- Big voltage range, 9 voltage options. Support special vottage.



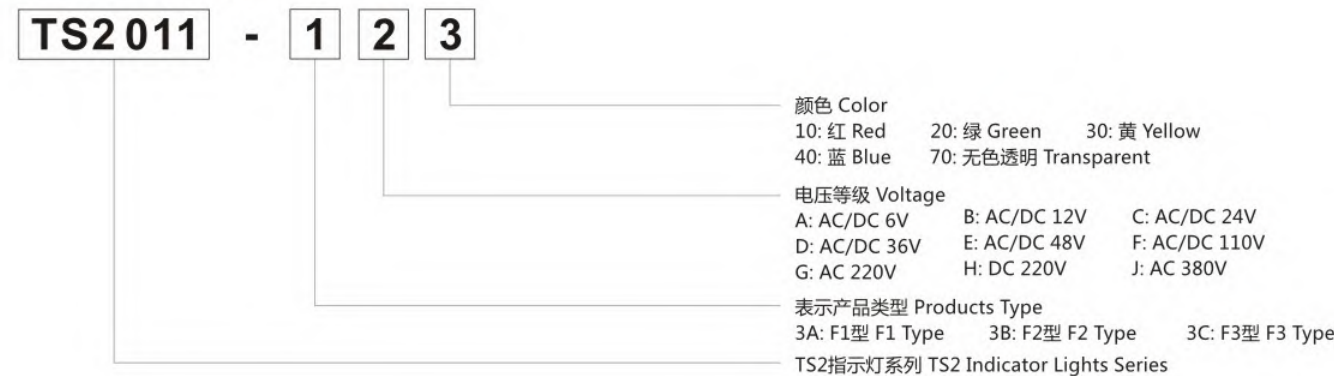
按钮/ PushButton



3 按钮类型及动作功能 Pushbutton Type and Action Function

| 代码 | 含义 | 代码 | 含义 | 代码 | 含义 |
|-----|-----------------|-----|----------------------|-----|-------------------------------|
| 0AM | 平钮 平头 瞬动 | 1AA | 旋钮 短柄 2位置右自复 | 2AA | 钥匙钮 2位置自复位, 钥匙左侧可拔 |
| 0AL | 平钮 平头 自锁 | 1AB | 旋钮 短柄 2位置定位 | 2AB | 钥匙钮 2位置定位, 钥匙左侧可拔 |
| 0BM | 平钮 凸头 瞬动 | 1AC | 旋钮 短柄 3位置左右自复 | 2AC | 钥匙钮 2位置定位, 钥匙左、右侧可拔 |
| 0BL | 平钮 凸头 自锁 | 1AD | 旋钮 短柄 3位置左复位, 右定位 | 2AD | 钥匙钮 3位置左右自复位, 钥匙中间可拔 |
| 0CM | 平钮 纯平 平头 瞬动 | 1AE | 旋钮 短柄 3位置左定位, 右复位 | 2AE | 钥匙钮 3位置左复位, 右定位, 钥匙中间可拔 |
| 0CL | 平钮 纯平 平头 自锁 | 1AF | 旋钮 短柄 3位置左右定位 | 2AF | 钥匙钮 3位置左复位, 右定位, 钥匙中间、右侧可拔 |
| 0DM | 平钮 纯平 凸头 瞬动 | 1BA | 旋钮 长柄 2位置右自复 | 2AG | 钥匙钮 3位置左定位, 右复位, 钥匙中间可拔 |
| 0DL | 平钮 纯平 凸头 自锁 | 1BB | 旋钮 长柄 2位置定位 | 2AH | 钥匙钮 3位置左定位, 右复位, 钥匙中间、左侧可拔 |
| 0EM | 蘑菇钮 Ø30 | 1BC | 旋钮 长柄 3位置左右自复 | 2AJ | 钥匙钮 3位置定位, 钥匙中间可拔 |
| 0FM | 蘑菇钮 Ø40 | 1BD | 旋钮 长柄 3位置左复位, 右定位 | 2AK | 钥匙钮 3位置定位, 钥匙中间、右侧可拔 |
| 0GL | 急停钮 Ø32 | 1BE | 旋钮 长柄 3位置左定位, 右复位 | 2AL | 钥匙钮 3位置定位, 钥匙中间、左侧可拔 |
| 0HL | 急停钮 Ø40 | 1BF | 旋钮 长柄 3位置左右定位 | 2AM | 钥匙钮 3位置定位, 钥匙中间、左侧、右侧可拔 |
| 0JL | 钥匙急停钮 Ø32 | 1CA | 旋钮 纯平 短柄 2位置右自复 | 2BA | 钥匙钮 纯平 2位置自复位, 钥匙左侧可拔 |
| 0KL | 钥匙急停钮 Ø40 | 1CB | 旋钮 纯平 短柄 2位置定位 | 2BB | 钥匙钮 纯平 2位置定位, 钥匙左侧可拔 |
| 0SL | 推拉急停钮 Ø40 | 1CC | 旋钮 纯平 短柄 3位置左右自复 | 2BC | 钥匙钮 纯平 2位置定位, 钥匙左、右侧可拔 |
| 0TL | 推拉急停钮 Ø40(带指示窗) | 1CD | 旋钮 纯平 短柄 3位置左复位, 右定位 | 2BD | 钥匙钮 纯平 3位置左右自复位, 钥匙中间可拔 |
| 0NM | 拨动钮 瞬动 | 1CE | 旋钮 纯平 短柄 3位置左定位, 右复位 | 2BE | 钥匙钮 纯平 3位置左复位, 右定位, 钥匙中间可拔 |
| 0NL | 拨动钮 自锁 | 1CF | 旋钮 纯平 短柄 3位置左右定位 | 2BF | 钥匙钮 纯平 3位置左复位, 右定位, 钥匙中间、右侧可拔 |
| 0PM | 拨动钮 纯平 瞬动 | 1DA | 旋钮 纯平 长柄 2位置右自复 | 2BG | 钥匙钮 纯平 3位置左定位, 右复位, 钥匙中间可拔 |
| 0PL | 拨动钮 纯平 自锁 | 1DB | 旋钮 纯平 长柄 2位置定位 | 2BH | 钥匙钮 纯平 3位置左定位, 右复位, 钥匙中间、左侧可拔 |
| 0QL | 停止钮 自锁 | 1DC | 旋钮 纯平 长柄 3位置左右自复 | 2BJ | 钥匙钮 纯平 3位置定位, 钥匙中间可拔 |
| 0RL | 停止钮 纯平 自锁 | 1DD | 旋钮 纯平 长柄 3位置左复位, 右定位 | 2BK | 钥匙钮 纯平 3位置定位, 钥匙中间、右侧可拔 |
| 0LM | 双位钮 纯平 | 1DE | 旋钮 纯平 长柄 3位置左定位, 右复位 | 2BL | 钥匙钮 纯平 3位置定位, 钥匙中间、左侧可拔 |
| 0MM | 双位钮 平凸 | 1DF | 旋钮 纯平 长柄 3位置左右定位 | 2BM | 钥匙钮 纯平 3位置定位, 钥匙中间、左侧、右侧可拔 |

指示灯/Indicator light



TS2天枢系列22mm按钮及指示灯技术参数 TS2 Series Product Technical Data

| | |
|---|--|
| 技术标准 Standard | GB14048.5 IEC60947-5-1 |
| 认证 Approval | |
| 储存及运输环境温度 Storage Ambient Temperature | -45°C ~ 80°C |
| 使用环境温度 Usage Ambient Temperature | -25°C ~ 55°C |
| 防护等级 Protection Level | 平钮、蘑菇钮、拨动钮、停止钮: IP65、IP67 PushButton, Mushroom Pushbutton, Toggle Switch, Stop Pushbutton: IP65, IP67 急停钮、双位钮、旋钮、钥匙钮: IP65 E-Stop, Twin Pushbutton, Selector Switch, Key Switch: IP65 指示灯: IP65、IP67; 控制盒: IP66、IP67 Pilot Light: IP65, IP67; Control Box: IP66, IP67 |
| 绝缘电阻 Insulation Resistance | ≥100MΩ |
| 接触电阻 Contact Resistance | ≤50mΩ |
| 额定冲击耐受电压 Rated impulse withstand voltage | 4000V |
| 工频耐压(Uimp) Power Frequency Withstand Voltage | 2500V•1min |
| 耐振动 Vibration Resistance | 10...500Hz 5g |
| 绝缘耐压(Ui) Insulation Voltage | 660V |
| 约定发热电流(Ith) Conventional Thermal Current | 10A(AC) |
| 材质 Material | 塑料, 塑料前环, 金属前环 Plastic, Plastic Front Ring, Metal FrontRing |
| 机械寿命(次) Mechanical Endurance(Cycles) | 平钮、蘑菇钮 PushButton & Mushroom PushButton 瞬动型(Momentary): 5,000,000 锁定型(Latch): 500,000 旋钮、钥匙钮、拨动钮、停止钮、双位钮 (Selector Switch, Key Switch, Toggle Switch, Stop PushButton):500,000 急停钮 (E-Stop): 100,000 |
| 电气寿命(次) Electrical Endurance(Cycles) | > 600000 |
| 触头额定容量 Contact Rated Capacity | 蠕动型(Squirm): AC-15 220V/6A 380V/4A DC-13 24V/6A 48V/3A 110V/1A 220V/0.5A 440V/0.25A 快动型(Momentary): AC-15 220V/2.5A 380V/1.5A; DC-13 24V/3.6A 48V/3A 110V/1A 220V/0.4A 440V/0.25A |
| 弱电开关的专用触点特性 Specifications of special contact blocks | Pmax:12 VA Imax:1A Umax:24V |
| 触点材料 Contact Material | 银合金(AgNi)(标准触点) Silver alloy(AgNi) (standard contact) 镀金(AgNi/Au) (弱电系统) Gold flashed (AgNi/Au) (Low power switching) |
| 接线截面 Cabling Capacity | 最小: 1x0.22mm ² 最大: 2x2.5mm ² |
| 安装方式 Mounting Type | 螺母安装 Screw Mounting |
| 安装扭矩(Max) Installation Twisting | 3N.m |
| RoHS材料 RoHS Material | 是 Yes |
| 指示灯及发光模块电压 Voltage of Pilot Light and Light Modules | AC/DC: 6V/12V/24V/36V/48V/110V ; 220VAC/220VDC/380VAC |
| LED连续工作寿命 MTBF | ≥50000小时/Hours |

(1)弱电系统建议采用镀金触点, 请在订单中注明。

The weak electric system is recommended to use gold plated contacts, please note in the order

(2)急停钮最多配4个开关模块 Max. 4 contact modules are used for E-stop

平钮 塑料型 PushButton Plastic

| 名称和外观 Name and Photo | 动作类型 Operation | 颜色 Color | 触头开关类型 Module Type | 成套订货号码 Order Number(Complete) | 单一头部订货号码 Order Number(Single) | 最小起订量 M.O.Q |
|--|-------------------|-------------|---|----------------------------------|----------------------------------|----------------|
|  平头型Flush | 瞬动型 Momentary | ● | ①表示 触头开关类型 Contact Module Type Code 快动型:S Momentary:S 蠕动型:J Squirm:J | TS2510-0AM10-①□□ | TS2010-0AM10 | 1 |
| | | ● | | TS2510-0AM20-①□□ | TS2010-0AM20 | |
| | | ● | | TS2510-0AM30-①□□ | TS2010-0AM30 | |
| | | ● | | TS2510-0AM40-①□□ | TS2010-0AM40 | |
| | | ● | | TS2510-0AM50-①□□ | TS2010-0AM50 | |
| | | ● | | TS2510-0AM60-①□□ | TS2010-0AM60 | |
| | 自锁型 Latch | ● | | TS2510-0AL10-①□□ | TS2010-0AL10 | 1 |
| | | ● | | TS2510-0AL20-①□□ | TS2010-0AL20 | |
| | | ● | | TS2510-0AL30-①□□ | TS2010-0AL30 | |
| | | ● | | TS2510-0AL40-①□□ | TS2010-0AL40 | |
| | | ● | | TS2510-0AL50-①□□ | TS2010-0AL50 | |
| | | ● | | TS2510-0AL60-①□□ | TS2010-0AL60 | |
|  凸头型Extended | 瞬动型 Momentary | ● | TS2510-0BM10-①□□ | TS2010-0BM10 | 1 | |
| | | ● | TS2510-0BM20-①□□ | TS2010-0BM20 | | |
| | | ● | TS2510-0BM30-①□□ | TS2010-0BM30 | | |
| | | ● | TS2510-0BM40-①□□ | TS2010-0BM40 | | |
| | | ● | TS2510-0BM50-①□□ | TS2010-0BM50 | | |
| | | ● | TS2510-0BM60-①□□ | TS2010-0BM60 | | |
| | 自锁型 Latch | ● | TS2510-0BL10-①□□ | TS2010-0BL10 | 1 | |
| | | ● | TS2510-0BL20-①□□ | TS2010-0BL20 | | |
| | | ● | TS2510-0BL30-①□□ | TS2010-0BL30 | | |
| | | ● | TS2510-0BL40-①□□ | TS2010-0BL40 | | |
| | | ● | TS2510-0BL50-①□□ | TS2010-0BL50 | | |
| | | ● | TS2510-0BL60-①□□ | TS2010-0BL60 | | |
|  平头型Flush | 瞬动型 Momentary | ● | TS2530-0AM10-①□□ | TS2030-0AM10 | 1 | |
| | | ● | TS2530-0AM20-①□□ | TS2030-0AM20 | | |
| | | ● | TS2530-0AM30-①□□ | TS2030-0AM30 | | |
| | | ● | TS2530-0AM40-①□□ | TS2030-0AM40 | | |
| | | ● | TS2530-0AM50-①□□ | TS2030-0AM50 | | |
| | | ● | TS2530-0AM60-①□□ | TS2030-0AM60 | | |
| | 自锁型 Latch | ● | TS2530-0AL10-①□□ | TS2030-0AL10 | 1 | |
| | | ● | TS2530-0AL20-①□□ | TS2030-0AL20 | | |
| | | ● | TS2530-0AL30-①□□ | TS2030-0AL30 | | |
| | | ● | TS2530-0AL40-①□□ | TS2030-0AL40 | | |
| | | ● | TS2530-0AL50-①□□ | TS2030-0AL50 | | |
| | | ● | TS2530-0AL60-①□□ | TS2030-0AL60 | | |
|  凸头型Extended | 瞬动型 Momentary | ● | TS2530-0BM10-①□□ | TS2030-0BM10 | 1 | |
| | | ● | TS2530-0BM20-①□□ | TS2030-0BM20 | | |
| | | ● | TS2530-0BM30-①□□ | TS2030-0BM30 | | |
| | | ● | TS2530-0BM40-①□□ | TS2030-0BM40 | | |
| | | ● | TS2530-0BM50-①□□ | TS2030-0BM50 | | |
| | | ● | TS2530-0BM60-①□□ | TS2030-0BM60 | | |
| | 自锁型 Latch | ● | TS2530-0BL10-①□□ | TS2030-0BL10 | 1 | |
| | | ● | TS2530-0BL20-①□□ | TS2030-0BL20 | | |
| | | ● | TS2530-0BL30-①□□ | TS2030-0BL30 | | |
| | | ● | TS2530-0BL40-①□□ | TS2030-0BL40 | | |
| | | ● | TS2530-0BL50-①□□ | TS2030-0BL50 | | |
| | | ● | TS2530-0BL60-①□□ | TS2030-0BL60 | | |

附件参见第28页 Accessory info: page 28

平钮 金属前环型 PushButton Metal FrontRing

| 名称和外观 Name and Photo | 动作类型 Operation | 颜色 Color | 触头开关类型 Module Type | 成套订货号码 Order Number(Complete) | 单一头部订货号码 Order Number(Single) | 最小起订量 M.O.Q |
|--|-------------------|-------------|---|----------------------------------|----------------------------------|----------------|
|  平头型Flush | 瞬动型 Momentary | ● | ①表示 触头开关类型 Contact Module Type Code 快动型:S Momentary:S 蠕动型:J Squirm:J | TS2520-0AM10-①□□ | TS2020-0AM10 | 1 |
| | | ● | | TS2520-0AM20-①□□ | TS2020-0AM20 | |
| | | ● | | TS2520-0AM30-①□□ | TS2020-0AM30 | |
| | | ● | | TS2520-0AM40-①□□ | TS2020-0AM40 | |
| | | ● | | TS2520-0AM50-①□□ | TS2020-0AM50 | |
| | | ● | | TS2520-0AM60-①□□ | TS2020-0AM60 | |
| | 自锁型 Latch | ● | | TS2520-0AL10-①□□ | TS2020-0AL10 | 1 |
| | | ● | | TS2520-0AL20-①□□ | TS2020-0AL20 | |
| | | ● | | TS2520-0AL30-①□□ | TS2020-0AL30 | |
| | | ● | | TS2520-0AL40-①□□ | TS2020-0AL40 | |
| | | ● | | TS2520-0AL50-①□□ | TS2020-0AL50 | |
| | | ● | | TS2520-0AL60-①□□ | TS2020-0AL60 | |
|  凸头型Extended | 瞬动型 Momentary | ● | TS2520-0BM10-①□□ | TS2020-0BM10 | 1 | |
| | | ● | TS2520-0BM20-①□□ | TS2020-0BM20 | | |
| | | ● | TS2520-0BM30-①□□ | TS2020-0BM30 | | |
| | | ● | TS2520-0BM40-①□□ | TS2020-0BM40 | | |
| | | ● | TS2520-0BM50-①□□ | TS2020-0BM50 | | |
| | | ● | TS2520-0BM60-①□□ | TS2020-0BM60 | | |
| | 自锁型 Latch | ● | TS2520-0BL10-①□□ | TS2020-0BL10 | 1 | |
| | | ● | TS2520-0BL20-①□□ | TS2020-0BL20 | | |
| | | ● | TS2520-0BL30-①□□ | TS2020-0BL30 | | |
| | | ● | TS2520-0BL40-①□□ | TS2020-0BL40 | | |
| | | ● | TS2520-0BL50-①□□ | TS2020-0BL50 | | |
| | | ● | TS2520-0BL60-①□□ | TS2020-0BL60 | | |

平钮纯平型 金属前环 PushButton Recessed Metal FrontRing

| 名称和外观 Name and Photo | 动作类型 Operation | 颜色 Color | 触头开关类型 Module Type | 成套订货号码 Order Number(Complete) | 单一头部订货号码 Order Number(Single) | 最小起订量 M.O.Q |
|--|-------------------|-------------|---|----------------------------------|----------------------------------|----------------|
|  平头型Flush | 瞬动型 Momentary | ● | ①表示 触头开关类型 Contact Module Type Code 快动型:S Momentary:S 蠕动型:J Squirm:J | TS2520-0CM10-①□□ | TS2020-0CM10 | 1 |
| | | ● | | TS2520-0CM20-①□□ | TS2020-0CM20 | |
| | | ● | | TS2520-0CM30-①□□ | TS2020-0CM30 | |
| | | ● | | TS2520-0CM40-①□□ | TS2020-0CM40 | |
| | | ● | | TS2520-0CM50-①□□ | TS2020-0CM50 | |
| | | ● | | TS2520-0CM60-①□□ | TS2020-0CM60 | |
| | 自锁型 Latch | ● | | TS2520-0CL10-①□□ | TS2020-0CL10 | 1 |
| | | ● | | TS2520-0CL20-①□□ | TS2020-0CL20 | |
| | | ● | | TS2520-0CL30-①□□ | TS2020-0CL30 | |
| | | ● | | TS2520-0CL40-①□□ | TS2020-0CL40 | |
| | | ● | | TS2520-0CL50-①□□ | TS2020-0CL50 | |
| | | ● | | TS2520-0CL60-①□□ | TS2020-0CL60 | |
|  凸头型Extended | 瞬动型 Momentary | ● | TS2520-0DM10-①□□ | TS2020-0DM10 | 1 | |
| | | ● | TS2520-0DM20-①□□ | TS2020-0DM20 | | |
| | | ● | TS2520-0DM30-①□□ | TS2020-0DM30 | | |
| | | ● | TS2520-0DM40-①□□ | TS2020-0DM40 | | |
| | | ● | TS2520-0DM50-①□□ | TS2020-0DM50 | | |
| | | ● | TS2520-0DM60-①□□ | TS2020-0DM60 | | |
| | 自锁型 Latch | ● | TS2520-0DL10-①□□ | TS2020-0DL10 | 1 | |
| | | ● | TS2520-0DL20-①□□ | TS2020-0DL20 | | |
| | | ● | TS2520-0DL30-①□□ | TS2020-0DL30 | | |
| | | ● | TS2520-0DL40-①□□ | TS2020-0DL40 | | |
| | | ● | TS2520-0DL50-①□□ | TS2020-0DL50 | | |
| | | ● | TS2520-0DL60-①□□ | TS2020-0DL60 | | |

附件参见第28页 Accessory info: page 28

照明平钮 塑料型 Illuminated PushButton Plastic

| 名称和外观 Name and Photo | 动作类型 Operation | 颜色 Color | 发光模块类型 Light Module Type | 触头开关类型 Module Type | 成套订货号码 Order Number(Complete) | 单一头部订货号码 Order Number(Single) | 最小起订量 M.O.Q |
|--|-------------------|-------------|---|--|----------------------------------|----------------------------------|----------------|
|  平头型Flush | 瞬动型 Momentary | ● | ②表示LED发光模块电压类型 Voltage Code of LED module 1-AC/DC 6V 2-AC/DC 12V 3-AC/DC 24V 4-AC/DC 36V 5-AC/DC 48V 6-AC/DC 110V 7-AC 220V 8-DC 220V 9-AC 380V | ①表示触头开关类型 Contact Module Type Code 快动型:S Momentary:S 蠕动型:J Squirm:J | TS251 2-0AM10-①□□ | TS2011-0AM10 | 1 |
| | | ● | | | TS251 2-0AM20-①□□ | TS2011-0AM20 | |
| | | ● | | | TS251 2-0AM30-①□□ | TS2011-0AM30 | |
| | | ● | | | TS251 2-0AM40-①□□ | TS2011-0AM40 | |
| | | ● | | | TS251 2-0AM70-①□□ | TS2011-0AM70 | |
| | 自锁型 Latch | ● | | | TS251 2-0AL10-①□□ | TS2011-0AL10 | |
| | | ● | | | TS251 2-0AL20-①□□ | TS2011-0AL20 | |
| | | ● | | | TS251 2-0AL30-①□□ | TS2011-0AL30 | |
| | | ● | | | TS251 2-0AL40-①□□ | TS2011-0AL40 | |
| | | ● | | | TS251 2-0AL70-①□□ | TS2011-0AL70 | |
|  凸头型Extended | 瞬动型 Momentary | ● | ②表示LED发光模块电压类型 Voltage Code of LED module 1-AC/DC 6V 2-AC/DC 12V 3-AC/DC 24V 4-AC/DC 36V 5-AC/DC 48V 6-AC/DC 110V 7-AC 220V 8-DC 220V 9-AC 380V | ①表示触头开关类型 Contact Module Type Code 快动型:S Momentary:S 蠕动型:J Squirm:J | TS251 2-0BM10-①□□ | TS2011-0BM10 | 1 |
| | | ● | | | TS251 2-0BM20-①□□ | TS2011-0BM20 | |
| | | ● | | | TS251 2-0BM30-①□□ | TS2011-0BM30 | |
| | | ● | | | TS251 2-0BM40-①□□ | TS2011-0BM40 | |
| | | ● | | | TS251 2-0BM70-①□□ | TS2011-0BM70 | |
| | 自锁型 Latch | ● | | | TS251 2-0BL10-①□□ | TS2011-0BL10 | |
| | | ● | | | TS251 2-0BL20-①□□ | TS2011-0BL20 | |
| | | ● | | | TS251 2-0BL30-①□□ | TS2011-0BL30 | |
| | | ● | | | TS251 2-0BL40-①□□ | TS2011-0BL40 | |
| | | ● | | | TS251 2-0BL70-①□□ | TS2011-0BL70 | |
|  平头型Flush | 瞬动型 Momentary | ● | ②表示LED发光模块电压类型 Voltage Code of LED module 1-AC/DC 6V 2-AC/DC 12V 3-AC/DC 24V 4-AC/DC 36V 5-AC/DC 48V 6-AC/DC 110V 7-AC 220V 8-DC 220V 9-AC 380V | ①表示触头开关类型 Contact Module Type Code 快动型:S Momentary:S 蠕动型:J Squirm:J | TS253 2-0AM10-①□□ | TS2031-0AM10 | 1 |
| | | ● | | | TS253 2-0AM20-①□□ | TS2031-0AM20 | |
| | | ● | | | TS253 2-0AM30-①□□ | TS2031-0AM30 | |
| | | ● | | | TS253 2-0AM40-①□□ | TS2031-0AM40 | |
| | | ● | | | TS253 2-0AM70-①□□ | TS2031-0AM70 | |
| | 自锁型 Latch | ● | | | TS253 2-0AL10-①□□ | TS2031-0AL10 | |
| | | ● | | | TS253 2-0AL20-①□□ | TS2031-0AL20 | |
| | | ● | | | TS253 2-0AL30-①□□ | TS2031-0AL30 | |
| | | ● | | | TS253 2-0AL40-①□□ | TS2031-0AL40 | |
| | | ● | | | TS253 2-0AL70-①□□ | TS2031-0AL70 | |
|  凸头型Extended | 瞬动型 Momentary | ● | ②表示LED发光模块电压类型 Voltage Code of LED module 1-AC/DC 6V 2-AC/DC 12V 3-AC/DC 24V 4-AC/DC 36V 5-AC/DC 48V 6-AC/DC 110V 7-AC 220V 8-DC 220V 9-AC 380V | ①表示触头开关类型 Contact Module Type Code 快动型:S Momentary:S 蠕动型:J Squirm:J | TS253 2-0BM10-①□□ | TS2031-0BM10 | 1 |
| | | ● | | | TS253 2-0BM20-①□□ | TS2031-0BM20 | |
| | | ● | | | TS253 2-0BM30-①□□ | TS2031-0BM30 | |
| | | ● | | | TS253 2-0BM40-①□□ | TS2031-0BM40 | |
| | | ● | | | TS253 2-0BM70-①□□ | TS2031-0BM70 | |
| | 自锁型 Latch | ● | | | TS253 2-0BL10-①□□ | TS2031-0BL10 | |
| | | ● | | | TS253 2-0BL20-①□□ | TS2031-0BL20 | |
| | | ● | | | TS253 2-0BL30-①□□ | TS2031-0BL30 | |
| | | ● | | | TS253 2-0BL40-①□□ | TS2031-0BL40 | |
| | | ● | | | TS253 2-0BL70-①□□ | TS2031-0BL70 | |

附件参见第28页 Accessory info: page 28

照明平钮 金属前环型 Illuminated PushButton Metal FrontRing

| 名称和外观 Name and Photo | 动作类型 Operation | 颜色 Color | 发光模块类型 Light Module Type | 触头开关类型 Module Type | 成套订货号码 Order Number(Complete) | 单一头部订货号码 Order Number(Single) | 最小起订量 M.O.Q |
|--|-------------------|-------------|---|--|----------------------------------|----------------------------------|----------------|
|  平头型Flush | 瞬动型 Momentary | ● | ②表示LED发光模块电压类型 Voltage Code of LED module 1-AC/DC 6V 2-AC/DC 12V 3-AC/DC 24V 4-AC/DC 36V 5-AC/DC 48V 6-AC/DC 110V 7-AC 220V 8-DC 220V 9-AC 380V | ①表示触头开关类型 Contact Module Type Code 快动型:S Momentary:S 蠕动型:J Squirm:J | TS252 2-0AM10-①□□ | TS2021-0AM10 | 1 |
| | | ● | | | TS252 2-0AM20-①□□ | TS2021-0AM20 | |
| | | ● | | | TS252 2-0AM30-①□□ | TS2021-0AM30 | |
| | | ● | | | TS252 2-0AM40-①□□ | TS2021-0AM40 | |
| | | ● | | | TS252 2-0AM70-①□□ | TS2021-0AM70 | |
| | 自锁型 Latch | ● | | | TS252 2-0AL10-①□□ | TS2021-0AL10 | |
| | | ● | | | TS252 2-0AL20-①□□ | TS2021-0AL20 | |
| | | ● | | | TS252 2-0AL30-①□□ | TS2021-0AL30 | |
| | | ● | | | TS252 2-0AL40-①□□ | TS2021-0AL40 | |
| | | ● | | | TS252 2-0AL70-①□□ | TS2021-0AL70 | |
|  凸头型Extended | 瞬动型 Momentary | ● | ②表示LED发光模块电压类型 Voltage Code of LED module 1-AC/DC 6V 2-AC/DC 12V 3-AC/DC 24V 4-AC/DC 36V 5-AC/DC 48V 6-AC/DC 110V 7-AC 220V 8-DC 220V 9-AC 380V | ①表示触头开关类型 Contact Module Type Code 快动型:S Momentary:S 蠕动型:J Squirm:J | TS252 2-0BM10-①□□ | TS2021-0BM10 | 1 |
| | | ● | | | TS252 2-0BM20-①□□ | TS2021-0BM20 | |
| | | ● | | | TS252 2-0BM30-①□□ | TS2021-0BM30 | |
| | | ● | | | TS252 2-0BM40-①□□ | TS2021-0BM40 | |
| | | ● | | | TS252 2-0BM70-①□□ | TS2021-0BM70 | |
| | 自锁型 Latch | ● | | | TS252 2-0BL10-①□□ | TS2021-0BL10 | |
| | | ● | | | TS252 2-0BL20-①□□ | TS2021-0BL20 | |
| | | ● | | | TS252 2-0BL30-①□□ | TS2021-0BL30 | |
| | | ● | | | TS252 2-0BL40-①□□ | TS2021-0BL40 | |
| | | ● | | | TS252 2-0BL70-①□□ | TS2021-0BL70 | |

照明平钮纯平型 金属前环 Illuminated PushButton Recessed Metal FrontRing

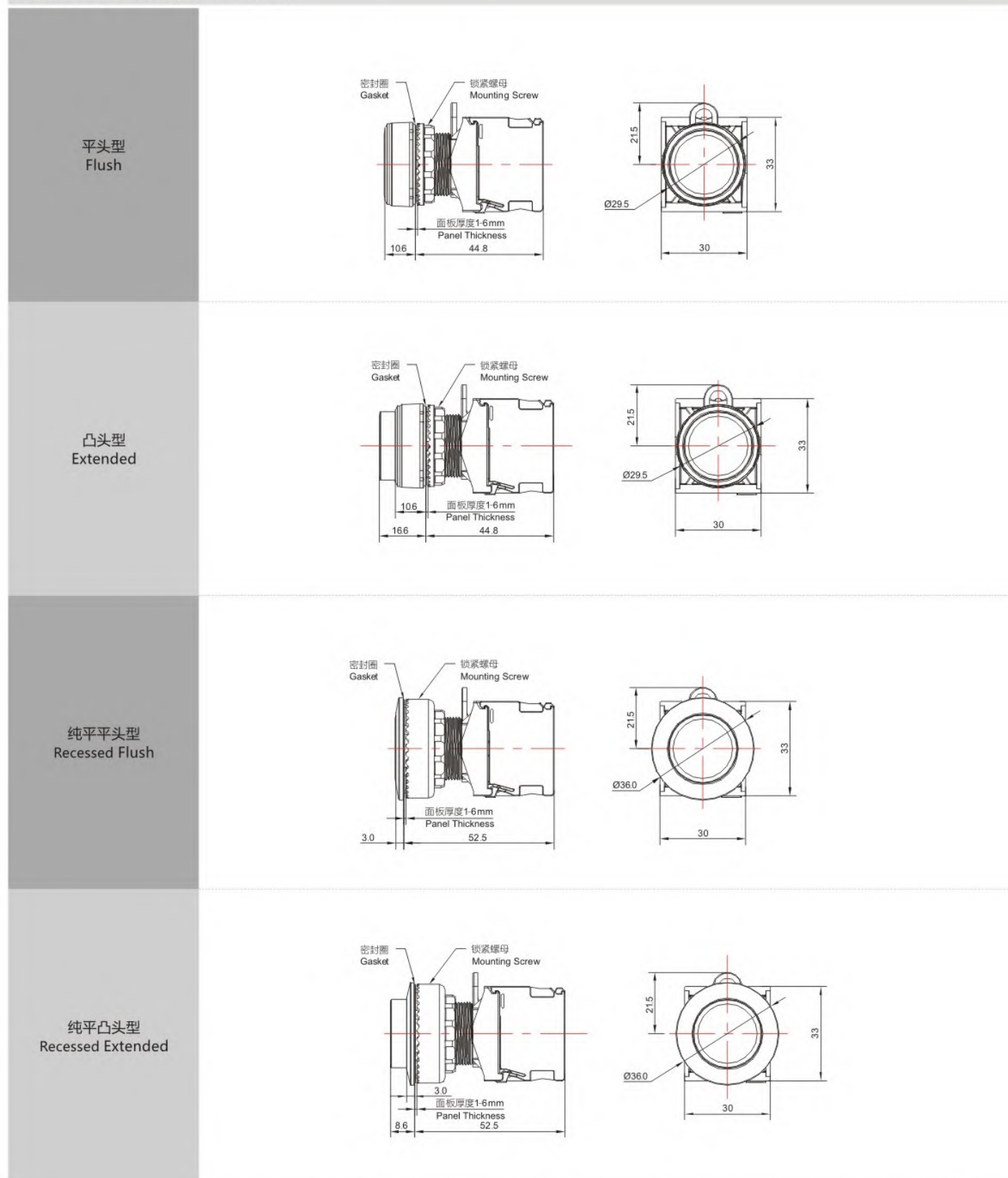
| 名称和外观 Name and Photo | 动作类型 Operation | 颜色 Color | 发光模块类型 Light Module Type | 触头开关类型 Module Type | 成套订货号码 Order Number(Complete) | 单一头部订货号码 Order Number(Single) | 最小起订量 M.O.Q |
|--|-------------------|-------------|---|--|----------------------------------|----------------------------------|----------------|
|  平头型Flush | 瞬动型 Momentary | ● | ②表示LED发光模块电压类型 Voltage Code of LED module 1-AC/DC 6V 2-AC/DC 12V 3-AC/DC 24V 4-AC/DC 36V 5-AC/DC 48V 6-AC/DC 110V 7-AC 220V 8-DC 220V 9-AC 380V | ①表示触头开关类型 Contact Module Type Code 快动型:S Momentary:S 蠕动型:J Squirm:J | TS252 2-0CM10-①□□ | TS2021-0CM10 | 1 |
| | | ● | | | TS252 2-0CM20-①□□ | TS2021-0CM20 | |
| | | ● | | | TS252 2-0CM30-①□□ | TS2021-0CM30 | |
| | | ● | | | TS252 2-0CM40-①□□ | TS2021-0CM40 | |
| | | ● | | | TS252 2-0CM70-①□□ | TS2021-0CM70 | |
| | 自锁型 Latch | ● | | | TS252 2-0CL10-①□□ | TS2021-0CL10 | |
| | | ● | | | TS252 2-0CL20-①□□ | TS2021-0CL20 | |
| | | ● | | | TS252 2-0CL30-①□□ | TS2021-0CL30 | |
| | | ● | | | TS252 2-0CL40-①□□ | TS2021-0CL40 | |
| | | ● | | | TS252 2-0CL70-①□□ | TS2021-0CL70 | |
|  凸头型Extended | 瞬动型 Momentary | ● | ②表示LED发光模块电压类型 Voltage Code of LED module 1-AC/DC 6V 2-AC/DC 12V 3-AC/DC 24V 4-AC/DC 36V 5-AC/DC 48V 6-AC/DC 110V 7-AC 220V 8-DC 220V 9-AC 380V | ①表示触头开关类型 Contact Module Type Code 快动型:S Momentary:S 蠕动型:J Squirm:J | TS252 2-0DM10-①□□ | TS2021-0DM10 | 1 |
| | | ● | | | TS252 2-0DM20-①□□ | TS2021-0DM20 | |
| | | ● | | | TS252 2-0DM30-①□□ | TS2021-0DM30 | |
| | | ● | | | TS252 2-0DM40-①□□ | TS2021-0DM40 | |
| | | ● | | | TS252 2-0DM70-①□□ | TS2021-0DM70 | |
| | 自锁型 Latch | ● | | | TS252 2-0DL10-①□□ | TS2021-0DL10 | |
| | | ● | | | TS252 2-0DL20-①□□ | TS2021-0DL20 | |
| | | ● | | | TS252 2-0DL30-①□□ | TS2021-0DL30 | |
| | | ● | | | TS252 2-0DL40-①□□ | TS2021-0DL40 | |
| | | ● | | | TS252 2-0DL70-①□□ | TS2021-0DL70 | |

说明/Description :

□□表示常开常闭的触头数: 10(一常开)、01(一常闭)、11(一常开一常闭)、20(二常开)、02(二常闭)依次类推。
 □□Means normally open module and normally close module number :10(1NO)、01(1NC)、11(1NO1NC)、20(2NO)、02(2NC).
 订货号示例/Order NO.Sample :
 (单一) 平钮 塑料 平头 瞬动 不发光 红, 订货号: "TS2010-0AM10"
 (成套) 平钮 塑料 平头 瞬动 发光, AC/DC24V 红 蠕动 1NO, 订货号: "TS2513-0AM10-R10"
 (Single) Push Button Flush Mom. Plastic Red, Order Number is "TS2010-0AM10".
 (Complete) Illu.PushButton Flush Mom. Plastic AC/DC24V Red squirm 1NO. Order Number is "TS2513-0AM10-R10".

附件参见第28页 Accessory info: page 28

外形尺寸图 Boundary Dimension(mm)



蘑菇钮 塑料型 Mushroom PushButton Plastic

| 名称和外观 Name and Photo | 颜色 Color | 触头开关类型 Module Type | 成套订货号码 Order Number(Complete) | 单一头部订货号码 Order Number(Single) | 最小起订量 M.O.Q |
|--|-------------|---|----------------------------------|----------------------------------|----------------|
|  Ø30 | ● | ①表示 触头开关类型 Contact Module Type Code 快动型:S Momentary:S 蠕动型:J Squirm:J | TS2510-0EM10-①□□ | TS2010-0EM10 | 1 |
| | ● | | TS2510-0EM20-①□□ | TS2010-0EM20 | |
| | ● | | TS2510-0EM30-①□□ | TS2010-0EM30 | |
| | ● | | TS2510-0EM40-①□□ | TS2010-0EM40 | |
| | ● | | TS2510-0EM50-①□□ | TS2010-0EM50 | |
| | ● | | TS2510-0EM60-①□□ | TS2010-0EM60 | |
|  Ø40 | ● | 快动型:S Momentary:S 蠕动型:J Squirm:J | TS2510-0FM10-①□□ | TS2010-0FM10 | 1 |
| | ● | | TS2510-0FM20-①□□ | TS2010-0FM20 | |
| | ● | | TS2510-0FM30-①□□ | TS2010-0FM30 | |
| | ● | | TS2510-0FM40-①□□ | TS2010-0FM40 | |
| | ● | | TS2510-0FM50-①□□ | TS2010-0FM50 | |
| | ● | | TS2510-0FM60-①□□ | TS2010-0FM60 | |

蘑菇钮 金属前环型 Mushroom PushButton Metal FrontRing

| 名称和外观 Name and Photo | 颜色 Color | 触头开关类型 Module Type | 成套订货号码 Order Number(Complete) | 单一头部订货号码 Order Number(Single) | 最小起订量 M.O.Q |
|--|-------------|---|----------------------------------|----------------------------------|----------------|
|  Ø30 | ● | ①表示 触头开关类型 Contact Module Type Code 快动型:S Momentary:S 蠕动型:J Squirm:J | TS2520-0EM10-①□□ | TS2020-0EM10 | 1 |
| | ● | | TS2520-0EM20-①□□ | TS2020-0EM20 | |
| | ● | | TS2520-0EM30-①□□ | TS2020-0EM30 | |
| | ● | | TS2520-0EM40-①□□ | TS2020-0EM40 | |
| | ● | | TS2520-0EM50-①□□ | TS2020-0EM50 | |
| | ● | | TS2520-0EM60-①□□ | TS2020-0EM60 | |
|  Ø40 | ● | 快动型:S Momentary:S 蠕动型:J Squirm:J | TS2520-0FM10-①□□ | TS2020-0FM10 | 1 |
| | ● | | TS2520-0FM20-①□□ | TS2020-0FM20 | |
| | ● | | TS2520-0FM30-①□□ | TS2020-0FM30 | |
| | ● | | TS2520-0FM40-①□□ | TS2020-0FM40 | |
| | ● | | TS2520-0FM50-①□□ | TS2020-0FM50 | |
| | ● | | TS2520-0FM60-①□□ | TS2020-0FM60 | |

附件参见第28页 Accessory info: page 28

照明蘑菇钮 塑料型 Illuminated Mushroom PushButton Plastic

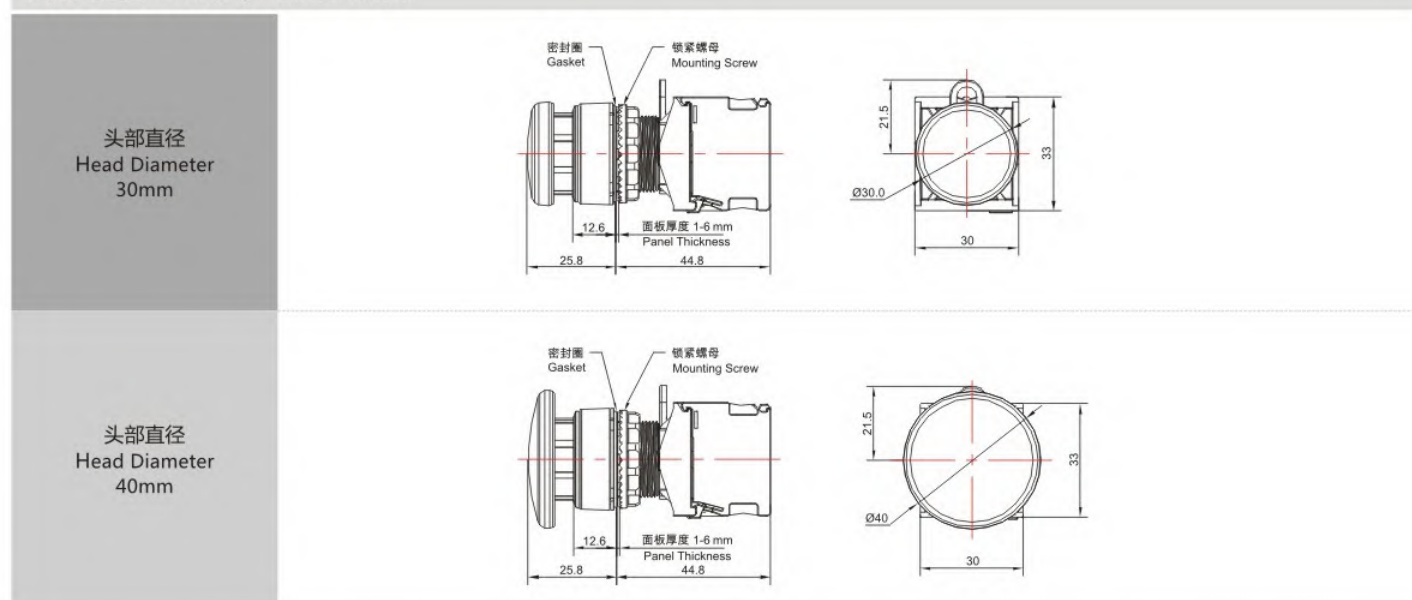
| 名称和外观 Name and Photo | 颜色 Color | 发光模块类型 Light Module Type | 触头开关类型 Module Type | 成套订货号码 Order Number(Complete) | 单一头部订货号码 Order Number(Single) | 最小起订量 M.O.Q |
|---|-------------|--|---|----------------------------------|----------------------------------|----------------|
|  | ● | ②表示LED发光 模块电压类型 Voltage Code of LED module 1-AC/DC 6V 2-AC/DC 12V 3-AC/DC 24V 4-AC/DC 36V 5-AC/DC 48V 6-AC/DC 110V 7-AC 220V 8-DC 220V 9-AC 380V | ①表示 触头开关类型 Contact Module Type Code 快动型:S Momentary:S 蠕动型:J Squirm:J | TS2512-0EM10-①□□ | TS2011-0EM10 | 1 |
| | ● | | | TS2512-0EM20-①□□ | TS2011-0EM20 | |
| | ● | | | TS2512-0EM30-①□□ | TS2011-0EM30 | |
| | ● | | | TS2512-0EM40-①□□ | TS2011-0EM40 | |
| | ● | | | TS2512-0EM70-①□□ | TS2011-0EM70 | |
|  | ● | | | TS2512-0FM10-①□□ | TS2011-0FM10 | 1 |
| | ● | | | TS2512-0FM20-①□□ | TS2011-0FM20 | |
| | ● | | | TS2512-0FM30-①□□ | TS2011-0FM30 | |
| | ● | | | TS2512-0FM40-①□□ | TS2011-0FM40 | |
| | ● | | | TS2512-0FM70-①□□ | TS2011-0FM70 | |

照明蘑菇钮 金属前环型 Illuminated Mushroom PushButton Metal FrontRing

| 名称和外观 Name and Photo | 颜色 Color | 发光模块类型 Light Module Type | 触头开关类型 Module Type | 成套订货号码 Order Number(Complete) | 单一头部订货号码 Order Number(Single) | 最小起订量 M.O.Q |
|---|-------------|--|--|----------------------------------|----------------------------------|----------------|
|  | ● | ②表示LED发光 模块电压类型 Voltage Code of LED module 1-AC/DC 6V 2-AC/DC 12V 3-AC/DC 24V 4-AC/DC 36V 5-AC/DC 48V 6-AC/DC 110V 7-AC 220V 8-DC 220V 9-AC 380V | ①表示 触头开关类型 Contact Module Type Code | TS2522-0EM10-①□□ | TS2021-0EM10 | 1 |
| | ● | | | TS2522-0EM20-①□□ | TS2021-0EM20 | |
| | ● | | | TS2522-0EM30-①□□ | TS2021-0EM30 | |
| | ● | | | TS2522-0EM40-①□□ | TS2021-0EM40 | |
| | ● | | | TS2522-0EM70-①□□ | TS2021-0EM70 | |
|  | ● | | 快动型:S Momentary:S 蠕动型:J Squirm:J | TS2522-0FM10-①□□ | TS2021-0FM10 | 1 |
| | ● | | | TS2522-0FM20-①□□ | TS2021-0FM20 | |
| | ● | | | TS2522-0FM30-①□□ | TS2021-0FM30 | |
| | ● | | | TS2522-0FM40-①□□ | TS2021-0FM40 | |
| | ● | | | TS2522-0FM70-①□□ | TS2021-0FM70 | |

订货号示例: 参考平钮选型描述 Order No. Sample: Refer to Push Button Series


外形尺寸图 Boundary Dimension(mm)



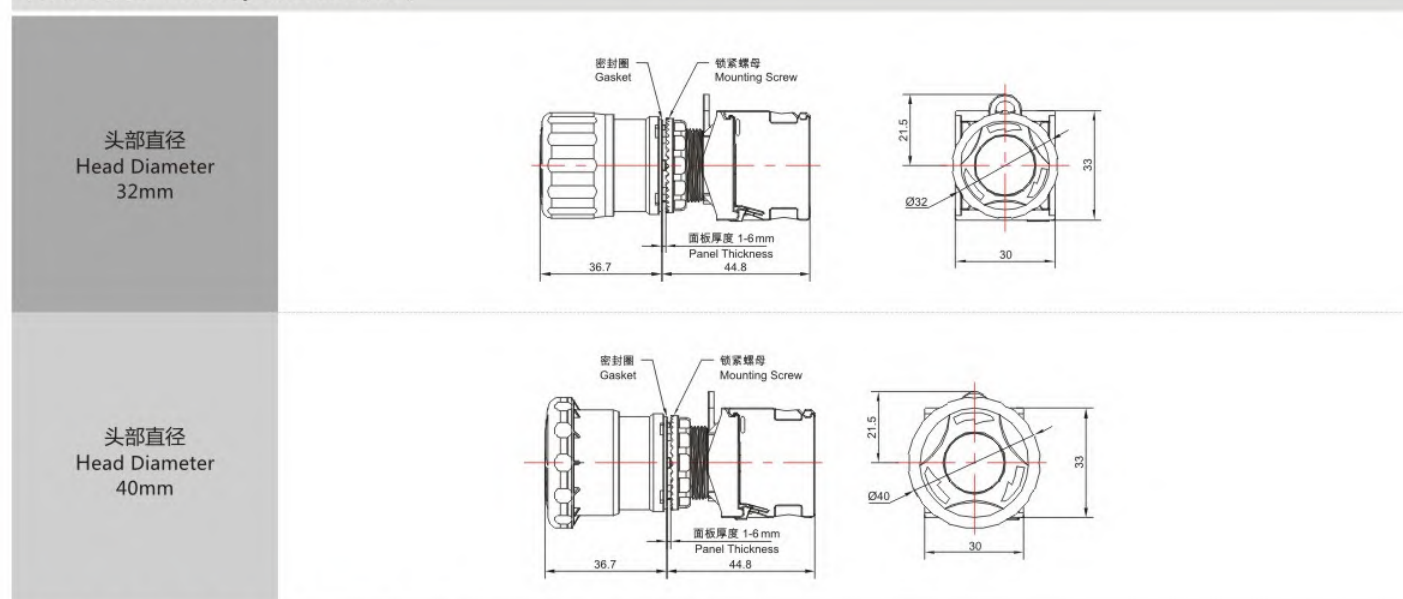
急停钮 塑料型 E-Stop PushButton Plastic

| 名称和外观 Name and Photo | 颜色 Color | 触头开关类型 Module Type | 成套订货号码 Order Number(Complete) | 单一头部订货号码 Order Number(Single) | 最小起订量 M.O.Q |
|---|-------------|--|----------------------------------|----------------------------------|----------------|
|  | ● | ①表示 触头开关类型 Contact Module Type Code | TS2510-0GL10-①□□ | TS2010-0GL10 | 1 |
| | | | | | |

照明急停钮 塑料型 Illuminated E-Stop PushButton Plastic

| 名称和外观 Name and Photo | 颜色 Color | 发光模块类型 Light Module Type | 触头开关类型 Module Type | 成套订货号码 Order Number(Complete) | 单一头部订货号码 Order Number(Single) | 最小起订量 M.O.Q |
|--|-------------|--|--|----------------------------------|----------------------------------|----------------|
|  | ● | ②表示LED发光 模块电压类型 Voltage Code of LED module 1-AC/DC 6V 2-AC/DC 12V 3-AC/DC 24V 4-AC/DC 36V 5-AC/DC 48V 6-AC/DC 110V 7-AC 220V 8-DC 220V 9-AC 380V | ①表示 触头开关类型 Contact Module Type Code | TS2512-0GL10-①□□ | TS2011-0GL10 | 1 |
| | | | | | | |

外形尺寸图 Boundary Dimension(mm)



每种急停钮允许最多配4个开关模块 Max.4 contact modules for E-stop

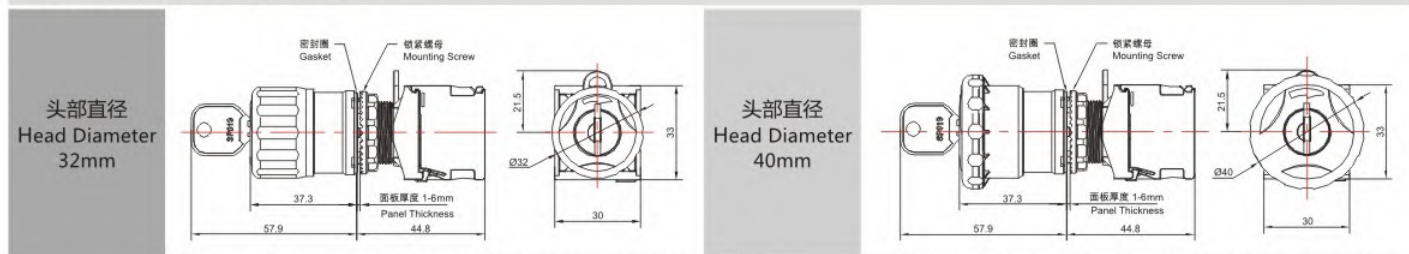
附件参见第28页 Accessory info: page 28

钥匙急停按钮 塑料型 Key E-Stop PushButton Plastic

| 名称和外观 Name and Photo | 颜色 Color | 触头开关类型 Module Type | 成套订货号码 Order Number(Complete) | 单一头部订货号码 Order Number(Single) | 最小起订量 M.O.Q |
|--|-------------|--|----------------------------------|----------------------------------|----------------|
|  Ø32 | ● | ①表示 触头开关类型 Contact Module Type Code | TS2510-0JL10-①□□ | TS2010-0JL10 | 1 |
| | | | TS2510-0JL10-①□□ | | |
| | | | TS2510-0JL10-①□□ | | |
| | | | TS2510-0JL10-①□□ | | |
| | | | TS2510-0JL10-①□□ | | |
| | | | TS2510-0JL10-①□□ | | |
|  Ø40 | ● | 快动型:S Momentary:S 蠕动型:J Squirm:J | TS2510-0KL10-①□□ | TS2010-0KL10 | 1 |
| | | | TS2510-0KL10-①□□ | | |
| | | | TS2510-0KL10-①□□ | | |
| | | | TS2510-0KL10-①□□ | | |
| | | | TS2510-0KL10-①□□ | | |
| | | | TS2510-0KL10-①□□ | | |

订货号示例: 参考平钮选型描述 Order No. Sample: Refer to Push Button Series

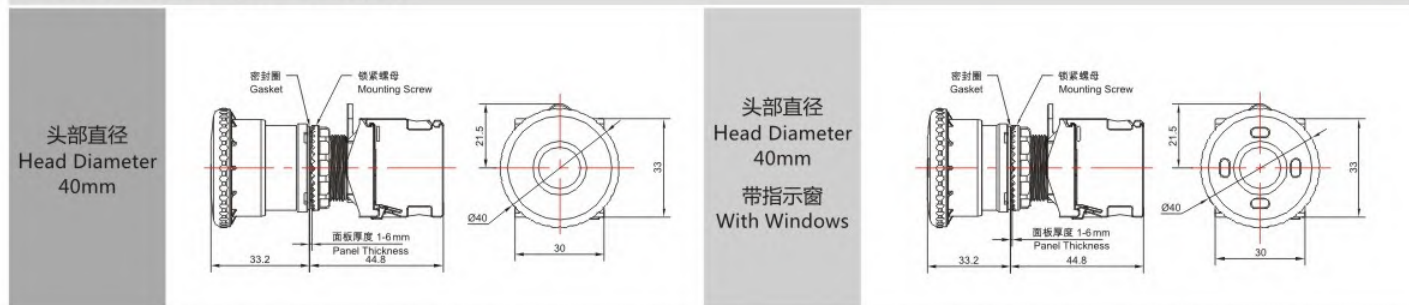
外形尺寸图 Boundary Dimension(mm)



推拉急停按钮 Push-Pull E-Stop PushButton

| 名称和外观 Name and Photo | 颜色 Color | 触头开关类型 Module Type | 成套订货号码 Order Number(Complete) | 单一头部订货号码 Order Number(Single) | 最小起订量 M.O.Q |
|--|-------------|--|----------------------------------|----------------------------------|----------------|
|  Ø40 | ● | ①表示 触头开关类型 Contact Module Type Code | TS2510-0SL10-①□□ | TS2010-0SL10 | 1 |
| | | | TS2510-0SL10-①□□ | | |
|  Ø40 带指示窗 With Windows | ● | 快动型:S Momentary:S 蠕动型:J Squirm:J | TS2510-0TL10-①□□ | TS2010-0TL10 | 1 |
| | | | TS2510-0TL10-①□□ | | |

外形尺寸图 Boundary Dimension(mm)



拨动按钮 塑料型 Toggle Switch Plastic

| 名称和外观 Name and Photo | 动作类型 Operation | 颜色 Color | 触头开关类型 Module Type | 成套订货号码 Order Number(Complete) | 单一头部订货号码 Order Number(Single) | 最小起订量 M.O.Q |
|---|-------------------|-------------|--|----------------------------------|----------------------------------|----------------|
|  | 瞬动型 Momentary | ● | ①表示 触头开关类型 Contact Module Type Code | TS2510-0NM10-①□□ | TS2010-0NM10 | 1 |
| | | ● | | | | |
| | 自锁型 Latch | ● | 快动型:S Momentary:S 蠕动型:J Squirm:J | TS2510-0NL10-①□□ | TS2010-0NL10 | 1 |
| | | ● | | | | |

拨动按钮 金属前环型 Toggle Switch Metal FrontRing

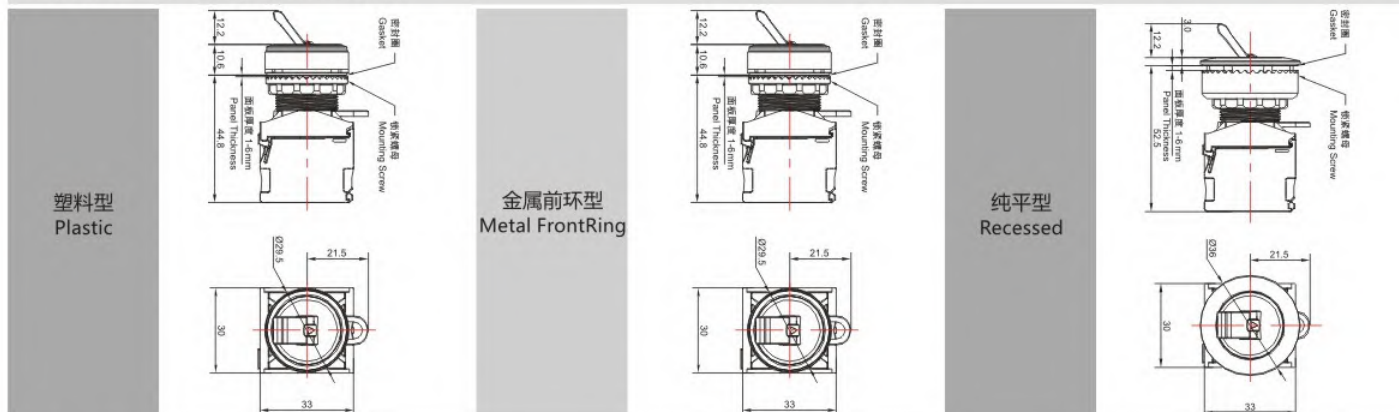
| 名称和外观 Name and Photo | 动作类型 Operation | 颜色 Color | 触头开关类型 Module Type | 成套订货号码 Order Number(Complete) | 单一头部订货号码 Order Number(Single) | 最小起订量 M.O.Q |
|---|-------------------|-------------|--|----------------------------------|----------------------------------|----------------|
|  | 瞬动型 Momentary | ● | ①表示 触头开关类型 Contact Module Type Code | TS2520-0NM10-①□□ | TS2020-0NM10 | 1 |
| | | ● | | | | |
| | 自锁型 Latch | ● | 快动型:S Momentary:S 蠕动型:J Squirm:J | TS2520-0NL10-①□□ | TS2020-0NL10 | 1 |
| | | ● | | | | |

拨动按钮纯平型 金属前环 Toggle Switch Recessed Metal FrontRing

| 名称和外观 Name and Photo | 动作类型 Operation | 颜色 Color | 触头开关类型 Module Type | 成套订货号码 Order Number(Complete) | 单一头部订货号码 Order Number(Single) | 最小起订量 M.O.Q |
|---|-------------------|-------------|--|----------------------------------|----------------------------------|----------------|
|  | 瞬动型 Momentary | ● | ①表示 触头开关类型 Contact Module Type Code | TS2520-0PM10-①□□ | TS2020-0PM10 | 1 |
| | | ● | | | | |
| | 自锁型 Latch | ● | 快动型:S Momentary:S 蠕动型:J Squirm:J | TS2520-0PL10-①□□ | TS2020-0PL10 | 1 |
| | | ● | | | | |

订货号示例: 参考平钮选型描述 Order No. Sample: Refer to Push Button Series

外形尺寸图 Boundary Dimension(mm)



附件参见第28页 Accessory info: page 28

停止按钮 塑料型 Stop PushButton Plastic

| 名称和外观 Name and Photo | 颜色 Color | 触头开关类型 Module Type | 成套订货号码 Order Number(Complete) | 单一头部订货号码 Order Number(Single) | 最小起订量 M.O.Q |
|---|-------------|--|----------------------------------|----------------------------------|----------------|
|  | ● | ①表示 触头开关类型 Contact Module Type Code | TS2510-0QL10-①□□ | TS2010-0QL10 | 1 |
| | ● | 快动型:S Momentary:S 蠕动型:J Squirm:J | TS2510-0QL60-①□□ | TS2010-0QL60 | |

停止按钮 金属前环型 Stop PushButton Metal FrontRing

| 名称和外观 Name and Photo | 颜色 Color | 触头开关类型 Module Type | 成套订货号码 Order Number(Complete) | 单一头部订货号码 Order Number(Single) | 最小起订量 M.O.Q |
|---|-------------|--|----------------------------------|----------------------------------|----------------|
|  | ● | ①表示 触头开关类型 Contact Module Type Code | TS2520-0QL10-①□□ | TS2020-0QL10 | 1 |
| | ● | 快动型:S Momentary:S 蠕动型:J Squirm:J | TS2520-0QL60-①□□ | TS2020-0QL60 | |

停止按钮纯平型 金属前环 Stop PushButton Recessed Metal FrontRing

| 名称和外观 Name and Photo | 颜色 Color | 触头开关类型 Module Type | 成套订货号码 Order Number(Complete) | 单一头部订货号码 Order Number(Single) | 最小起订量 M.O.Q |
|---|-------------|--|----------------------------------|----------------------------------|----------------|
|  | ● | ①表示 触头开关类型 Contact Module Type Code | TS2520-0RL10-①□□ | TS2020-0RL10 | 1 |
| | ● | 快动型:S Momentary:S 蠕动型:J Squirm:J | TS2520-0RL60-①□□ | TS2020-0RL60 | |

照明停止按钮 塑料型 Illuminated Stop PushButton Plastic

| 名称和外观 Name and Photo | 颜色 Color | 触头开关类型 Module Type | 发光模块类型 Light Module Type | 成套订货号码 Order Number(Complete) | 单一头部订货号码 Order Number(Single) | 最小起订量 M.O.Q |
|---|-------------|--|--|----------------------------------|----------------------------------|----------------|
|  | ● | ①表示 触头开关类型 Contact Module Type Code | ②表示LED发光 模块电压类型 Voltage Code of LED module 1-AC/DC 6V 2-AC/DC 12V 3-AC/DC 24V 4-AC/DC 36V 5-AC/DC 48V 6-AC/DC 110V 7-AC 220V 8-DC 220V 9-AC 380V | TS251②-0QL10-①□□ | TS2011-0QL10 | 1 |
| | ③ | 快动型:S Momentary:S 蠕动型:J Squirm:J | | TS251②-0QL70-①□□ | TS2011-0QL70 | |

附件参见第28页 Accessory info: page 28

照明停止按钮 金属前环型 Illuminated Stop PushButton Metal FrontRing

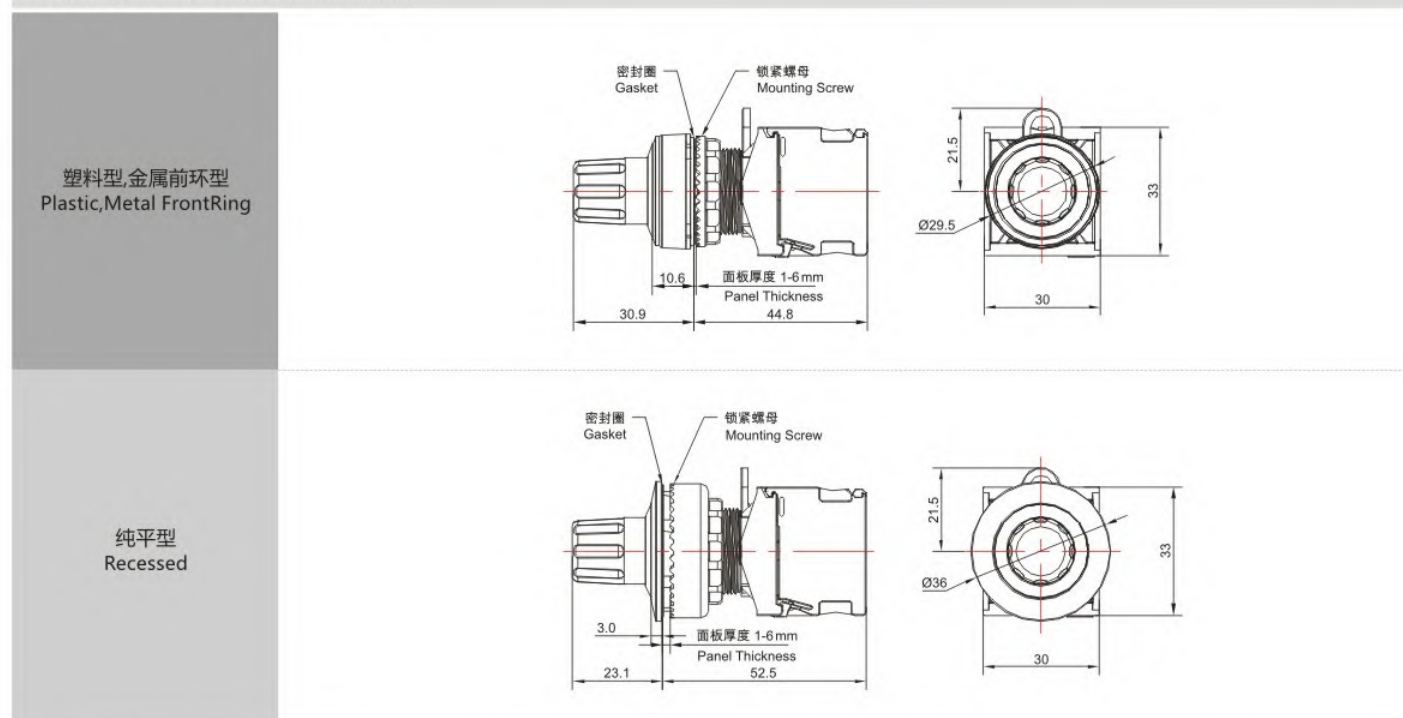
| 名称和外观 Name and Photo | 颜色 Color | 触头开关类型 Module Type | 发光模块类型 Light Module Type | 成套订货号码 Order Number(Complete) | 单一头部订货号码 Order Number(Single) | 最小起订量 M.O.Q |
|---|-------------|--|--|----------------------------------|----------------------------------|----------------|
|  | ● | ①表示 触头开关类型 Contact Module Type Code | ②表示LED发光 模块电压类型 Voltage Code of LED module 1-AC/DC 6V 2-AC/DC 12V 3-AC/DC 24V 4-AC/DC 36V 5-AC/DC 48V 6-AC/DC 110V 7-AC 220V 8-DC 220V 9-AC 380V | TS252②-0QL10-①□□ | TS2021-0QL10 | 1 |
| | ③ | 快动型:S Momentary:S 蠕动型:J Squirm:J | | TS252②-0QL70-①□□ | TS2021-0QL70 | |

照明停止按钮纯平型 金属前环 Illuminated Stop PushButton Recessed Metal FrontRing

| 名称和外观 Name and Photo | 颜色 Color | 触头开关类型 Module Type | 发光模块类型 Light Module Type | 成套订货号码 Order Number(Complete) | 单一头部订货号码 Order Number(Single) | 最小起订量 M.O.Q |
|---|-------------|--|--|----------------------------------|----------------------------------|----------------|
|  | ● | ①表示 触头开关类型 Contact Module Type Code | ②表示LED发光 模块电压类型 Voltage Code of LED module 1-AC/DC 6V 2-AC/DC 12V 3-AC/DC 24V 4-AC/DC 36V 5-AC/DC 48V 6-AC/DC 110V 7-AC 220V 8-DC 220V 9-AC 380V | TS252②-0RL10-①□□ | TS2021-0RL10 | 1 |
| | ③ | 快动型:S Momentary:S 蠕动型:J Squirm:J | | TS252②-0RL70-①□□ | TS2021-0RL70 | |

订货号示例: 参考平钮选型描述 Order No. Sample: Refer to Push Button Series

外形尺寸图 Boundary Dimension(mm)



附件参见第28页 Accessory info: page 28

双位钮 塑料型 Twin PushButton Plastic

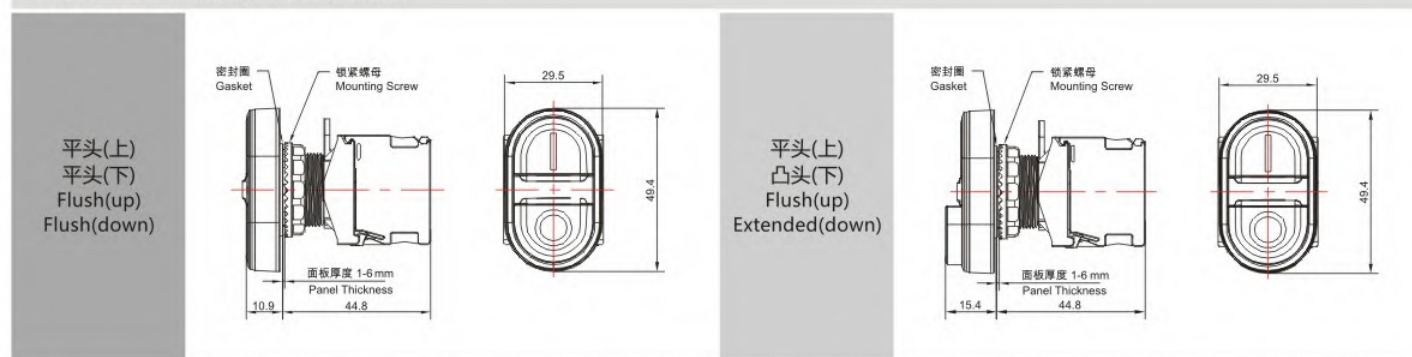
| 名称和外观 Name and Photo | 颜色 Color | 触头开关类型 Module Type | 成套订货号码 Order Number(Complete) | 单一头部订货号码 Order Number(Single) | 最小起订量 M.O.Q |
|---|-------------|--|----------------------------------|----------------------------------|----------------|
| 平头(上) Flush(up) 平头(下) Flush(down) | | ①表示 触头开关类型 Contact Module Type Code | TS2510-0LM21-①□□ | TS2012-0LM21 | 1 |
| | | | TS2510-0LM56-①□□ | TS2012-0LM56 | |
| 平头(上) Flush(up) 凸头(下) Extended(down) | | 快动型:S Momentary:S 蠕动型:J Squirm:J | TS2510-0MM21-①□□ | TS2012-0MM21 | |
| | | | TS2510-0MM56-①□□ | TS2012-0MM56 | |

照明双位钮 塑料型 Illuminated Twin PushButton Plastic

| 名称和外观 Name and Photo | 颜色 Color | 发光模块类型 Light Module Type | 触头开关类型 Module Type | 成套订货号码 Order Number(Complete) | 单一头部订货号码 Order Number(Single) | 最小起订量 M.O.Q |
|---|-------------|---|--|----------------------------------|----------------------------------|----------------|
| 平头(上) Flush(up) 平头(下) Flush(down) | | ②表示LED发光 模块电压类型 Voltage Code of LED module | ①表示 触头开关类型 Contact Module Type Code | TS251②-0LM21-①□□ | TS2012-0LM21 | 1 |
| | | | | TS251②-0LM56-①□□ | TS2012-0LM56 | |
| 平头(上) Flush(up) 凸头(下) Extended(down) | | 1-AC/DC 6V 2-AC/DC 12V 3-AC/DC 24V 4-AC/DC 36V 5-AC/DC 48V 6-AC/DC 110V 7-AC 220V 8-DC 220V 9-AC 380V | 快动型:S Momentary:S 蠕动型:J Squirm:J | TS251②-0MM21-①□□ | TS2012-0MM21 | |
| | | | | TS251②-0MM56-①□□ | TS2012-0MM56 | |

订货号示例 Order No.Sample 参考平钮选型描述 Refer to Push Button Series
 (*)触点结构 Contact Type: 双位钮触头块最多为4个Max, Contact Modules used for TwinPB is less than 4.
 (*)成套照明双位钮默认配套白色LED发光模块, 如需其他发光颜色, 请备注说明
 Default White LED Light Module is used for Illuminated Twin PushButton; If want others, please note in the order.

外形尺寸图 Boundary Dimension(mm)



附件参见第28页 Accessory info: page 28

旋钮 塑料型 Selector Switch Plastic

| 名称和外观 Name and Photo | 动作类型 Operation | 颜色 Color | 触头开关类型 Module Type | 成套订货号码 Order Number(Complete) | 单一头部订货号码 Order Number(Single) | 最小起订量 M.O.Q |
|-------------------------|---|-------------|--|----------------------------------|----------------------------------|----------------|
| 短柄 Short Handle | ①表示 头部动作类型 Operation Type A: B: C: D: E: F: | | ②表示 触头开关类型 Contact Module Type Code | TS2510-1A①10-②□□ | TS2010-1A①10 | 1 |
| | | | | TS2510-1A①20-②□□ | TS2010-1A①20 | |
| | | | | TS2510-1A①30-②□□ | TS2010-1A①30 | |
| | | | | TS2510-1A①40-②□□ | TS2010-1A①40 | |
| | | | | TS2510-1A①60-②□□ | TS2010-1A①60 | |
| | | | | TS2510-1B①10-②□□ | TS2010-1B①10 | |
| 长柄 Long Handle | ①表示 头部动作类型 Operation Type A: B: C: D: E: F: | | 快动型:S Momentary:S 蠕动型:J Squirm:J | TS2510-1B①20-②□□ | TS2010-1B①20 | 1 |
| | | | | TS2510-1B①30-②□□ | TS2010-1B①30 | |
| | | | | TS2510-1B①40-②□□ | TS2010-1B①40 | |
| | | | | TS2510-1B①60-②□□ | TS2010-1B①60 | |
| | | | | TS2530-1A①10-②□□ | TS2030-1A①10 | |
| | | | | TS2530-1A①20-②□□ | TS2030-1A①20 | |
| 短柄 Short Handle | ①表示 头部动作类型 Operation Type A: B: C: D: E: F: | | ②表示 触头开关类型 Contact Module Type Code | TS2530-1A①30-②□□ | TS2030-1A①30 | 1 |
| | | | | TS2530-1A①40-②□□ | TS2030-1A①40 | |
| | | | | TS2530-1A①60-②□□ | TS2030-1A①60 | |
| | | | | TS2530-1B①10-②□□ | TS2030-1B①10 | |
| | | | | TS2530-1B①20-②□□ | TS2030-1B①20 | |
| | | | | TS2530-1B①30-②□□ | TS2030-1B①30 | |
| 长柄 Long Handle | ①表示 头部动作类型 Operation Type A: B: C: D: E: F: | | 快动型:S Momentary:S 蠕动型:J Squirm:J | TS2530-1B①40-②□□ | TS2030-1B①40 | 1 |
| | | | | TS2530-1B①60-②□□ | TS2030-1B①60 | |

旋钮 金属前环型 Selector Switch Metal FrontRing

| 名称和外观 Name and Photo | 动作类型 Operation | 颜色 Color | 触头开关类型 Module Type | 成套订货号码 Order Number(Complete) | 单一头部订货号码 Order Number(Single) | 最小起订量 M.O.Q |
|-------------------------|---|-------------|--|----------------------------------|----------------------------------|----------------|
| 短柄 Short Handle | ①表示 头部动作类型 Operation Type A: B: C: D: E: F: | | ②表示 触头开关类型 Contact Module Type Code | TS2520-1A①10-②□□ | TS2020-1A①10 | 1 |
| | | | | TS2520-1A①20-②□□ | TS2020-1A①20 | |
| | | | | TS2520-1A①30-②□□ | TS2020-1A①30 | |
| | | | | TS2520-1A①40-②□□ | TS2020-1A①40 | |
| | | | | TS2520-1A①60-②□□ | TS2020-1A①60 | |
| | | | | TS2520-1B①10-②□□ | TS2020-1B①10 | |
| 长柄 Long Handle | ①表示 头部动作类型 Operation Type A: B: C: D: E: F: | | 快动型:S Momentary:S 蠕动型:J Squirm:J | TS2520-1B①20-②□□ | TS2020-1B①20 | 1 |
| | | | | TS2520-1B①30-②□□ | TS2020-1B①30 | |
| | | | | TS2520-1B①40-②□□ | TS2020-1B①40 | |
| | | | | TS2520-1B①60-②□□ | TS2020-1B①60 | |

附件参见第28页 Accessory info: page 28

旋钮纯平型 金属前环 Selector Switch Recessed Metal FrontRing

| 名称和外观 Name and Photo | 动作类型 Operation | 颜色 Color | 触头开关类型 Module Type | 成套订货号码 Order Number(Complete) | 单一头部订货号码 Order Number(Single) | 最小起订量 M.O.Q |
|-------------------------|---|-------------|---|----------------------------------|----------------------------------|----------------|
| 短柄 Short Handle | ①表示 头部动作类型 Operation Type A: B: C: D: E: F: | ● | ②表示 触头开关类型 Contact Module Type Code 快动型:S Momentary:S 蠕动型:J Squirm:J | TS2520-1C110-2□□ | TS2020-1C110 | 1 |
| | | ● | | TS2520-1C120-2□□ | TS2020-1C120 | |
| | | ● | | TS2520-1C130-2□□ | TS2020-1C130 | |
| | | ● | | TS2520-1C140-2□□ | TS2020-1C140 | |
| | | ● | | TS2520-1C160-2□□ | TS2020-1C160 | |
| | | ● | | TS2520-1D110-2□□ | TS2020-1D110 | |
| 长柄 Long Handle | | ● | TS2520-1D120-2□□ | TS2020-1D120 | 1 | |
| | | ● | TS2520-1D130-2□□ | TS2020-1D130 | | |
| | | ● | TS2520-1D140-2□□ | TS2020-1D140 | | |
| | | ● | TS2520-1D160-2□□ | TS2020-1D160 | | |
| | | ● | TS2520-1D110-3□□ | TS2021-1D110 | | |
| | | ● | TS2520-1D120-3□□ | TS2021-1D120 | | |

照明旋钮 塑料型 Illuminated Selector Switch Plastic

| 名称和外观 Name and Photo | 动作类型 Operation | 颜色 Color | 发光模块类型 Light Module Type | 触头开关类型 Module Type | 成套订货号码 Order Number(Complete) | 单一头部订货号码 Order Number(Single) | 最小起订量 M.O.Q |
|-------------------------|---|-------------|--|---|----------------------------------|----------------------------------|----------------|
| 短柄 Short Handle | ①表示 头部动作类型 Operation Type A: B: C: D: E: F: | ● | ②表示LED发光 模块电压类型 Voltage Code of LED module 1-AC/DC 6V 2-AC/DC 12V 3-AC/DC 24V 4-AC/DC 36V 5-AC/DC 48V 6-AC/DC 110V 7-AC 220V 8-DC 220V 9-AC 380V | ③表示 触头开关类型 Contact Module Type Code 快动型:S Momentary:S 蠕动型:J Squirm:J | TS2512-1A110-3□□ | TS2011-1A110 | 1 |
| | | ● | | | TS2512-1A120-3□□ | TS2011-1A120 | |
| | | ● | | | TS2512-1A130-3□□ | TS2011-1A130 | |
| | | ● | | | TS2512-1A140-3□□ | TS2011-1A140 | |
| | | ● | | | TS2512-1A150-3□□ | TS2011-1A160 | |
| | | ● | | | TS2512-1B110-3□□ | TS2011-1B110 | |
| 长柄 Long Handle | | ● | TS2512-1B120-3□□ | TS2011-1B120 | 1 | | |
| | | ● | TS2512-1B130-3□□ | TS2011-1B130 | | | |
| | | ● | TS2512-1B140-3□□ | TS2011-1B140 | | | |
| | | ● | TS2512-1B150-3□□ | TS2011-1B160 | | | |
| | | ● | TS2532-1A110-3□□ | TS2031-1A110 | | | |
| | | ● | TS2532-1A120-3□□ | TS2031-1A120 | | | |
| 短柄 Short Handle | ①表示 头部动作类型 Operation Type A: B: C: D: E: F: | ● | ②表示LED发光 模块电压类型 Voltage Code of LED module 1-AC/DC 6V 2-AC/DC 12V 3-AC/DC 24V 4-AC/DC 36V 5-AC/DC 48V 6-AC/DC 110V 7-AC 220V 8-DC 220V 9-AC 380V | ③表示 触头开关类型 Contact Module Type Code 快动型:S Momentary:S 蠕动型:J Squirm:J | TS2532-1A130-3□□ | TS2031-1A130 | 1 |
| | | ● | | | TS2532-1A140-3□□ | TS2031-1A140 | |
| | | ● | | | TS2532-1A150-3□□ | TS2031-1A160 | |
| | | ● | | | TS2532-1B110-3□□ | TS2031-1B110 | |
| | | ● | | | TS2532-1B120-3□□ | TS2031-1B120 | |
| | | ● | | | TS2532-1B130-3□□ | TS2031-1B130 | |
| 长柄 Long Handle | | ● | TS2532-1B140-3□□ | TS2031-1B140 | 1 | | |
| | | ● | TS2532-1B150-3□□ | TS2031-1B160 | | | |

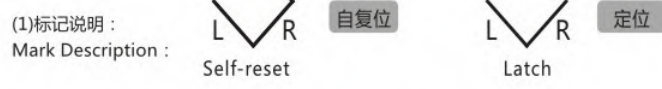
附件参见第28页 Accessory info: page 28

照明旋钮 金属前环型 Illuminated Selector Switch Metal FrontRing

| 名称和外观 Name and Photo | 动作类型 Operation | 颜色 Color | 发光模块类型 Light Module Type | 触头开关类型 Module Type | 成套订货号码 Order Number(Complete) | 单一头部订货号码 Order Number(Single) | 最小起订量 M.O.Q |
|-------------------------|---|-------------|--|---|----------------------------------|----------------------------------|----------------|
| 短柄 Short Handle | ①表示 头部动作类型 Operation Type A: B: C: D: E: F: | ● | ②表示LED发光 模块电压类型 Voltage Code of LED module 1-AC/DC 6V 2-AC/DC 12V 3-AC/DC 24V 4-AC/DC 36V 5-AC/DC 48V 6-AC/DC 110V 7-AC 220V 8-DC 220V 9-AC 380V | ③表示 触头开关类型 Contact Module Type Code 快动型:S Momentary:S 蠕动型:J Squirm:J | TS2522-1A110-3□□ | TS2021-1A110 | 1 |
| | | ● | | | TS2522-1A120-3□□ | TS2021-1A120 | |
| | | ● | | | TS2522-1A130-3□□ | TS2021-1A130 | |
| | | ● | | | TS2522-1A140-3□□ | TS2021-1A140 | |
| | | ● | | | TS2522-1A150-3□□ | TS2021-1A160 | |
| | | ● | | | TS2522-1B110-3□□ | TS2021-1B110 | |
| 长柄 Long Handle | | ● | TS2522-1B120-3□□ | TS2021-1B120 | 1 | | |
| | | ● | TS2522-1B130-3□□ | TS2021-1B130 | | | |
| | | ● | TS2522-1B140-3□□ | TS2021-1B140 | | | |
| | | ● | TS2522-1B150-3□□ | TS2021-1B160 | | | |

照明旋钮纯平型 金属前环 Illuminated Selector Switch Recessed Metal FrontRing

| 名称和外观 Name and Photo | 动作类型 Operation | 颜色 Color | 发光模块类型 Light Module Type | 触头开关类型 Module Type | 成套订货号码 Order Number(Complete) | 单一头部订货号码 Order Number(Single) | 最小起订量 M.O.Q |
|-------------------------|---|-------------|--|---|----------------------------------|----------------------------------|----------------|
| 短柄 Short Handle | ①表示 头部动作类型 Operation Type A: B: C: D: E: F: | ● | ②表示LED发光 模块电压类型 Voltage Code of LED module 1-AC/DC 6V 2-AC/DC 12V 3-AC/DC 24V 4-AC/DC 36V 5-AC/DC 48V 6-AC/DC 110V 7-AC 220V 8-DC 220V 9-AC 380V | ③表示 触头开关类型 Contact Module Type Code 快动型:S Momentary:S 蠕动型:J Squirm:J | TS2522-1C110-3□□ | TS2021-1C110 | 1 |
| | | ● | | | TS2522-1C120-3□□ | TS2021-1C120 | |
| | | ● | | | TS2522-1C130-3□□ | TS2021-1C130 | |
| | | ● | | | TS2522-1C140-3□□ | TS2021-1C140 | |
| | | ● | | | TS2522-1C150-3□□ | TS2021-1C160 | |
| | | ● | | | TS2522-1D110-3□□ | TS2021-1D110 | |
| 长柄 Long Handle | | ● | TS2522-1D120-3□□ | TS2021-1D120 | 1 | | |
| | | ● | TS2522-1D130-3□□ | TS2021-1D130 | | | |
| | | ● | TS2522-1D140-3□□ | TS2021-1D140 | | | |
| | | ● | TS2522-1D150-3□□ | TS2021-1D160 | | | |



(2)旋钮动作类型代码说明 Selector Switch Operation Type
 A: 2位置右自复/2 Pos. Right automatic self-reset;
 B: 2位置定位/2 Pos. Latch;
 C: 3位置左右自复/3 Pos. Left and Right automatic self-reset;
 D: 3位置左复位/3 Pos. Left automatic self-reset;
 E: 3位置右复位/3 Pos. Right automatic self-reset;
 F: 3位置左右定位/3 Pos. Latch;

(3)旋钮颜色说明(成套)
 1)旋钮: 颜色表示手柄颜色;
 2)照明旋钮: 颜色表示配套发光模块LED颜色, 旋钮手柄颜色默认为“黑色”;
 注: 若照明旋钮需要其他颜色的手柄, 操作头部和发光模块订货号需分开下单;
 (3) Illuminated Selector Switch Operation Type (Complete)
 1) Selector Switch: Color code of the Handle colors,
 2) Illuminated Selector Switch: Color code of the mating LED light module, the handle color is black by default;
 Remark: If the handle of Illuminated Selector Switch want other colors, Need separate orders. (Single) Color code of handle;

附件参见第28页 Accessory info: page 28

(4)□□表示常开常闭的触头数：10(一常开)、01(一常闭)、11(一常开一常闭)、20(二常开)、02(二常闭)依次类推

(4)□□ Means normally open module and normally close module number :10(1NO)、01(1NC)、11(1NO1NC)、20(2NO)、02(2NC)

订货号示例：旋钮非照明型订货号参考平钮示例；

(单一) 旋钮 塑料 短柄平头 2位置右自复 不发光 红，对应的订货号为“TS2010-1AA10”

(成套) 旋钮 塑料 短柄平头 2位置右自复 发光，AC/DC12V 红色 快动 1NO1NC，对应的订货号为“TS2512-1AA10-S11”

Order No.Sample:

Non-Illuminated Selector Switch order no. samples refer to Push Button Series; Illuminated Selector Switch order no. samples see following;

(Single) Selector Switch Recessed Metal FrontRing Short Handle 2 Pos. Right automatic self-reset Red, Order Number is "TS2010-1AA10".

(Complete) Illuminated Selector Switch Plastic Short Handle 2 Pos. Right automatic self-reset, Momentary 1NO 1NC, AC/DC 12V Red, Order Number is "TS2512-1AA10-S11".

外形尺寸图 Boundary Dimension(mm)

| | |
|---|--|
| 塑料型 金属前环型 短手柄 Plastic Metal FrontRing Short Handle | |
| 塑料型 金属前环型 长手柄 Plastic Metal FrontRing Long Handle | |
| 纯平短手柄 Recessed Short Handle | |
| 纯平长手柄 Recessed Long Handle | |

钥匙钮 塑料型 Key Switch Plastic

| 名称和外观 Name and Photo | 动作类型 Operation | 颜色 Color | 触头开关类型 Module Type | 成套订货号码 Order Number(Complete) | 单一头部订货号码 Order Number(Single) | 最小起订量 M.O.Q |
|-------------------------|---|-------------|---|----------------------------------|----------------------------------|----------------|
| | ①表示 头部动作类型 Operation Type A: B: C: D: E: F: G: H: J: K: L: M: | | ②表示 触头开关类型 Contact Module Type Code 快动型:S Momentary:S 蠕动型:J Squirm:J | TS2510-2A160-2□□ | TS2010-2A160 | 1 |
| | ①表示 头部动作类型 Operation Type A: B: C: D: E: F: G: H: J: K: L: M: | | ②表示 触头开关类型 Contact Module Type Code 快动型:S Momentary:S 蠕动型:J Squirm:J | TS2530-2A160-2□□ | TS2030-2A160 | 1 |



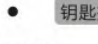
钥匙钮 金属前环型 Key Switch Metal FrontRing

| 名称和外观 Name and Photo | 动作类型 Operation | 颜色 Color | 触头开关类型 Module Type | 成套订货号码 Order Number(Complete) | 单一头部订货号码 Order Number(Single) | 最小起订量 M.O.Q |
|-------------------------|---|-------------|---|----------------------------------|----------------------------------|----------------|
| | ①表示 头部动作类型 Operation Type A: B: C: D: E: F: G: H: J: K: L: M: | | ②表示 触头开关类型 Contact Module Type Code 快动型:S Momentary:S 蠕动型:J Squirm:J | TS2520-2A160-2□□ | TS2020-2A160 | 1 |

附件参见第28页 Accessory info: page 28

钥匙钮纯平型 金属前环 Key Switch Recessed Metal FrontRing

| 名称和外观 Name and Photo | 动作类型 Operation | 颜色 Color | 触头开关类型 Module Type | 成套订货号码 Order Number(Complete) | 单一头部订货号码 Order Number(Single) | 最小起订量 M.O.Q |
|---|---|---|---|----------------------------------|----------------------------------|----------------|
|  | ①表示 头部动作类型 Operation Type A:  B:  C:  D:  E:  F:  G:  H:  J:  K:  L:  M:  |  | ②表示 触头开关类型 Contact Module Type Code 快动型:S Momentary:S 蠕动型:J Squirm:J | TS2520-2B160-2□□ | TS2020-2B160 | 1 |

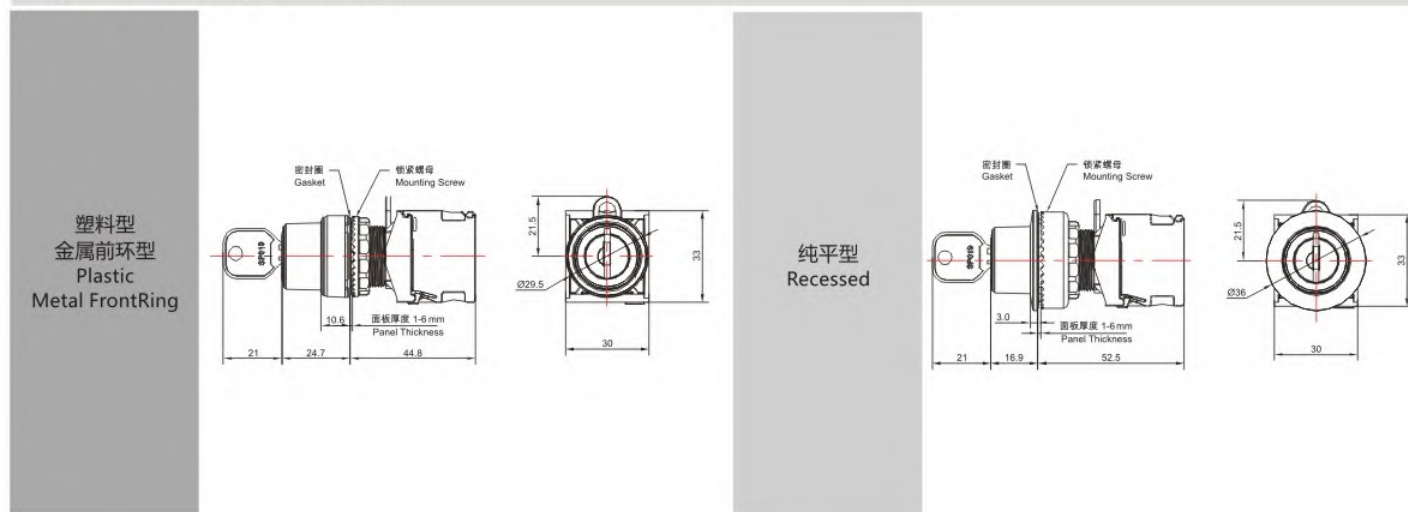
(1)标记说明:  自复位 Self-reset  定位 Latch  钥匙拔出 Pull out key

(2)头部动作类型代码说明 Operation Type

- A: 2位置自复位, 钥匙左侧可拨/2 Pos. Right automatic self-reset, Pull out Key at Left Pos.;
- B: 2位置定位, 钥匙左侧可拨/2 Pos. Latch, Pull out Key at Left Pos.;
- C: 2位置定位, 钥匙左、右侧可拨/2 Pos. Latch, Pull out Key at Left or Right Pos.;
- D: 3位置左右自复位, 钥匙中间可拨/3 Pos. Left and Right automatic self-reset, Pull out Key at Center Pos.;
- E: 3位置左复位, 右定位, 钥匙中间可拨/3 Pos. Left automatic self-reset and Right Latch, Pull out Key at Center Pos.;
- F: 3位置左复位, 右定位, 钥匙中间、右侧可拨/3 Pos. Left automatic self-reset and Right Latch, Pull out Key at Center or Right Pos.;
- G: 3位置左复位, 右复位, 钥匙中间可拨/3 Pos. Left Latch and Right automatic self-reset, Pull out Key at Center Pos.;
- H: 3位置左复位, 右复位, 钥匙中间、左侧可拨/3 Pos. Left Latch and Right automatic self-reset, Pull out Key at Left and Center Pos.;
- J: 3位置定位, 钥匙中间可拨/3 Pos. Latch, Pull out Key at Center Pos.;
- K: 3位置定位, 钥匙中间、右侧可拨/3 Pos. Latch, Pull out Key at Center and Right Pos.;
- L: 3位置定位, 钥匙中间、左侧可拨/3 Pos. Latch, Pull out Key at Left and Center Pos.;
- M: 3位置定位, 钥匙中间、左侧、右侧可拨/3 Pos. Latch, Pull out Key at Left, Center and Right Pos.;

订货号示例 Order No.Sample
参考旋钮选型描述 Refer to Selector Switch Series

外形尺寸图 Boundary Dimension(mm)



指示灯 Pilot Light

| 名称和外观 Name and Photo | 颜色 Color | 电压类别 Voltage Type | 订货号码 Order Number | 最小起订量 M.O.Q |
|---|---|--|----------------------|----------------|
|  |  | ①表示LED发光 模块电压类型 Voltage Code of LED module A-AC/DC 6V B-AC/DC 12V C-AC/DC 24V D-AC/DC 36V E-AC/DC 48V F-AC/DC 110V G-AC 220V H-DC 220V J-AC 380V | TS2011-3A110 | 1 |
| |  | | TS2011-3A120 | |
| |  | | TS2011-3A130 | |
| |  | | TS2011-3A140 | |
| |  | | TS2011-3A170 | |
|  |  | | TS2011-3B110 | 1 |
| |  | | TS2011-3B120 | |
| |  | | TS2011-3B130 | |
| |  | | TS2011-3B140 | |
| |  | | TS2011-3B170 | |
|  |  | | TS2011-3C110 | 1 |
| |  | | TS2011-3C120 | |
| |  | | TS2011-3C130 | |
| |  | | TS2011-3C140 | |
| |  | | TS2011-3C170 | |

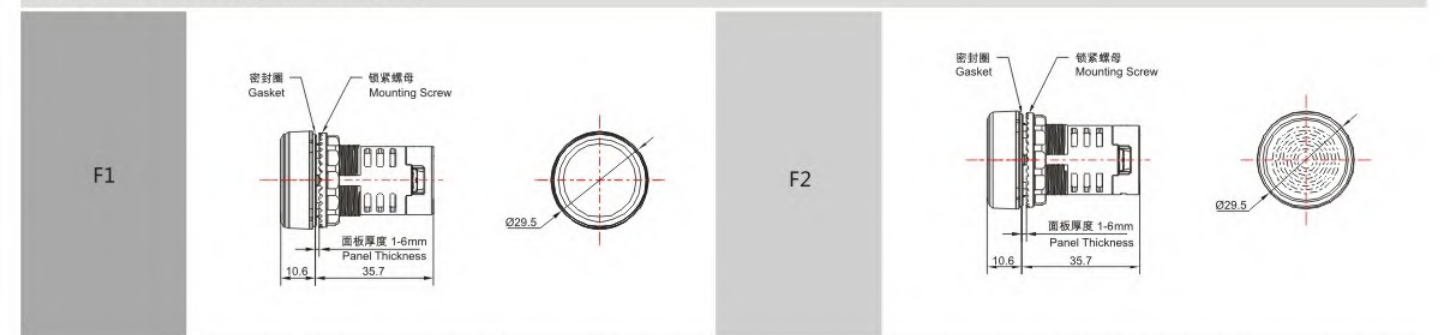
订货号示例 Order No.Sample :
指示灯 F3型 蓝色 AC/DC 12V, 对应的订货号码为 "TS2011-3CB40" 。
Pilot F3 Blue AC/DC 12V, Order Number is "TS2011-3CB40" .

蜂鸣器 Buzzer

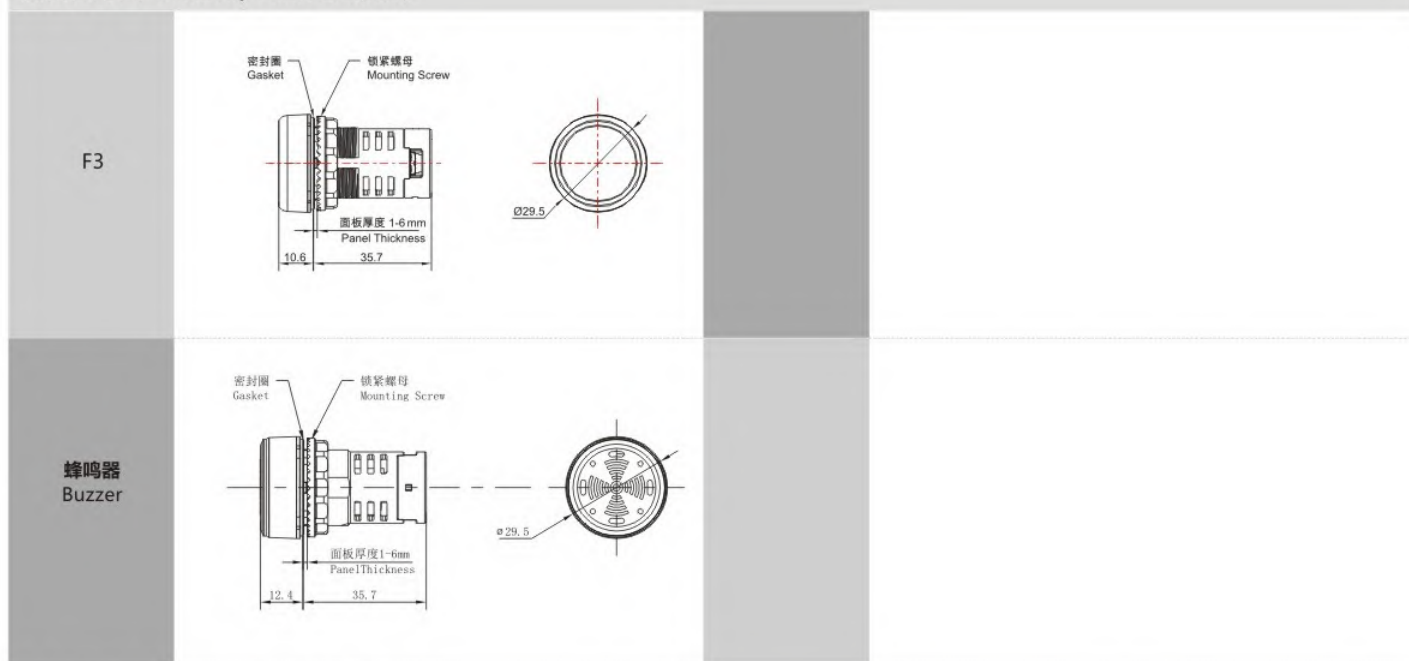
| 名称和外观 Name and Photo | 颜色 Color | 电压类别 Voltage Type | 订货号码 Order Number | 最小起订量 M.O.Q |
|---|---|---|----------------------|----------------|
|  |  | ①表示蜂鸣器电压类型 Voltage Code of Buzzer A-AC/DC 6V B-AC/DC 12V C-AC/DC 24V D-AC/DC 36V E-AC/DC 48V F-AC/DC 110V G-AC 220V H-DC 220V J-AC 380V | TS2011-4D110 | 1 |
| |  | | TS2011-4D120 | |
| |  | | TS2011-4D130 | |
|  |  | | TS2010-4D160 | |

订货号示例 Order No.Sample :
参考指示灯选型描述 Refer to Pilot Light Series.
注:AC 220V (电阻降压) AC/DC (电容降压)

外形尺寸图 Boundary Dimension(mm)



外形尺寸图 Boundary Dimension(mm)



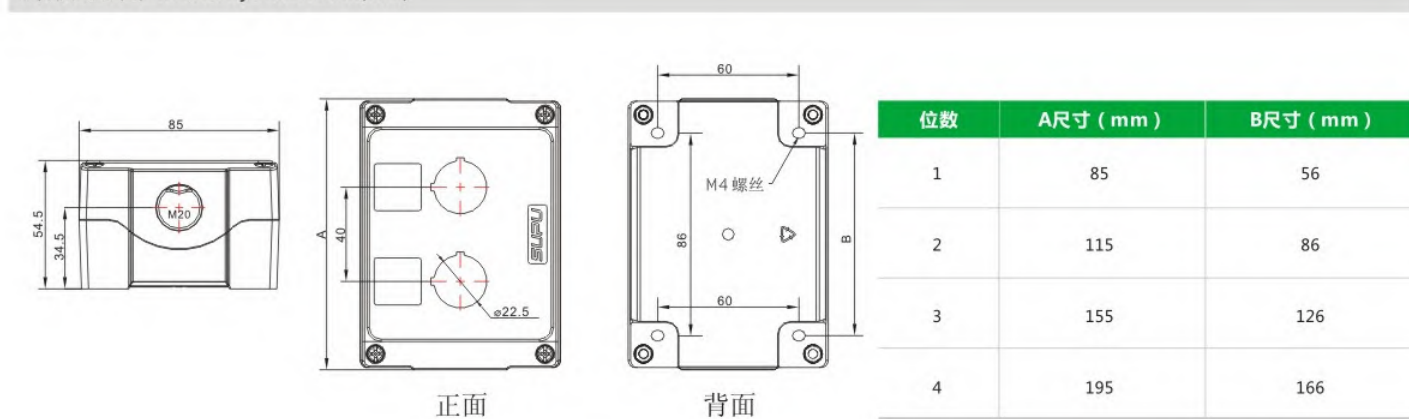
附件参见第26页 Accessory info: page 26

控制盒 Control Box

| 名称和外观 Name and Photo | 安装孔数量和描述 Mounting Hole No. & Description | 订货号码 Order Number | 最小起订量 M.O.Q |
|-------------------------|---|----------------------|----------------|
| | 1孔 ●● | TS2810 | 1 |
| | 1孔 ●● | TS2811 | |
| | 2孔 ●● | TS2812 | |
| | 2孔 ●● | TS2818 | |
| | 3孔 ●● | TS2813 | |
| | 3孔 ●● | TS2819 | |
| | 4孔 ●● | TS2814 | |
| | 4孔 ●● | TS2817 | |

备注：1、2、3孔侧电缆孔尺寸M20，4孔侧电缆孔尺寸M24。
Remarks: Dimension of side cable hole for 1, 2, 3 command point is M20.
Dimension of side cable hole for 4 command point is M24.

外形尺寸图 Boundary Dimension(mm)



开关模块 Contact Module















| 名称和外观 Name and Photo | 开关类型 Operation Type | 订货号码 Order Number | 最小起订量 M.O.Q | 名称和外观 Name and Photo | 开关类型 Operation Type | 订货号码 Order Number | 最小起订量 M.O.Q |
|-------------------------------------|------------------------------|----------------------|----------------|---------------------------|---------------------------|----------------------|----------------|
| 螺钉式接线 Screw connection | 快动型 1常开 Momentary 1NO | TS2110-1AA80 | 1 | 螺钉式接线 Screw connection | 蠕动型 1常开 Squirm 1NO | TS2111-1AA60 | 1 |
| 螺钉式接线 Screw connection | 快动型 1常闭 Momentary 1NC | TS2110-1AB80 | 1 | 螺钉式接线 Screw connection | 蠕动型 1常闭 Squirm 1NC | TS2111-1AB60 | 1 |
| 双极螺钉式接线 Bipolar screw connection | 蠕动型 2常开 Squirm 2NO | TS2121-1AC60 | 1 | 螺钉式接线 Screw connection | 蠕动型 标准款 1常开 Squirm 1NO | TS2111-1JA60 | 1 |
| 双极螺钉式接线 Bipolar screw connection | 蠕动型 1常开1常闭 Squirm 1NO 1NC | TS2121-1AE60 | 1 | 螺钉式接线 Screw connection | 蠕动型 标准款 1常闭 Squirm 1NC | TS2111-1JB60 | 1 |
| 双极螺钉式接线 Bipolar screw connection | 蠕动型 2常闭 Squirm 2NO | TS2121-1AD60 | 1 | | | | |

1. 我司提供弱电系统专用镀金触点，请联系销售人员咨询。
We can also provide special gold-plated contact for weak current system, please contact the sales staff for consultation.
2. 除标配的螺钉接线型号，我司亦可提供适用于“O”型接线的专用型号，请联系销售人员咨询。
Except for the standard screw connection types, we can also provide special "O" type wiring (It can be used for Solderless Ring Tongue Terminals), please contact the sales staff for consultation.

| 名称和外观 Name and Photo | 开关类型 Operation Type | 订货号码 Order Number | 最小起订量 M.O.Q | 名称和外观 Name and Photo | 开关类型 Operation Type | 订货号码 Order Number | 最小起订量 M.O.Q |
|----------------------------------|--------------------------|----------------------|----------------|----------------------------------|------------------------|----------------------|----------------|
| 笼式弹簧接线 Spring cage connection | 快动型 1常开 Momentary 1NO | TS2110-5AA80 | 1 | 笼式弹簧接线 Spring cage connection | 蠕动型 1常开 Squirm 1NO | TS2111-5AA60 | 1 |
| 笼式弹簧接线 Spring cage connection | 快动型 1常闭 Momentary 1NC | TS2110-5AB80 | 1 | 笼式弹簧接线 Spring cage connection | 蠕动型 1常闭 Squirm 1NC | TS2111-5AB60 | 1 |

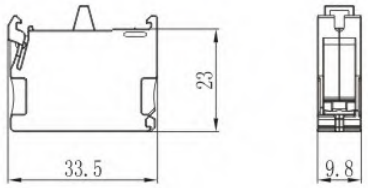
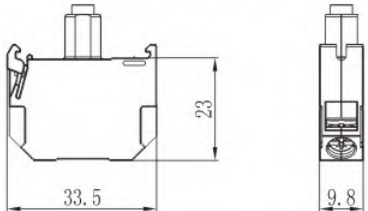
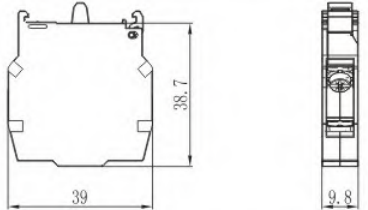
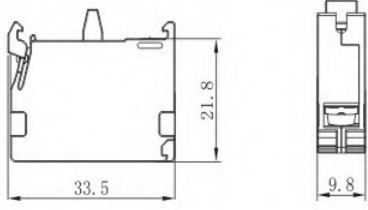
附件参见第28页 Accessory info: page 28

发光模块 Light Module

| 名称和外观 Name and Photo | 颜色 Color | 电压类别 Voltage Type | 成套订货号码 Order Number(Complete) | 最小起订量 M.O.Q |
|--|---|--|----------------------------------|----------------|
|  <p>螺钉式接线 Screw connection</p> |  | ①表示 LED发光模块电压类型 Voltage Code of LED module A-AC/DC 6V B-AC/DC 12V C-AC/DC 24V D-AC/DC 36V E-AC/DC 48V F-AC/DC 110V G-AC 220V H-DC 220V J-AC 380V | TS2101-1A①10 | 1 |
| |  | | TS2101-1A①20 | |
| |  | | TS2101-1A①30 | |
| |  | | TS2101-1A①40 | |
| |  | | TS2101-1A①50 | |
| |  | | | |
|  <p>笼式弹簧接线 Cage spring connection</p> |  | ①表示 LED发光模块电压类型 Voltage Code of LED module A-AC/DC 6V B-AC/DC 12V C-AC/DC 24V D-AC/DC 36V E-AC/DC 48V F-AC/DC 110V G-AC 220V H-DC 220V J-AC 380V | TS2101-5A①10 | 1 |
| |  | | TS2101-5A①20 | |
| |  | | TS2101-5A①30 | |
| |  | | TS2101-5A①40 | |
| |  | | TS2101-5A①50 | |
| |  | | | |

订货号示例：LED发光模块 AC/DC24V 红，对应的订货号码为“TS2101-1AC10”；
Order No.Sample: Light Module Red AC/DC 24V, Order Number is "TS2101-1AC10".


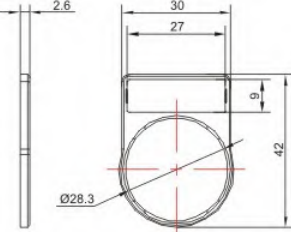

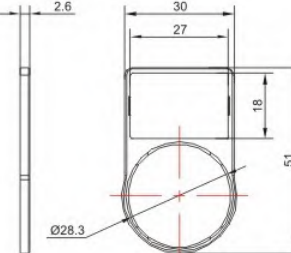

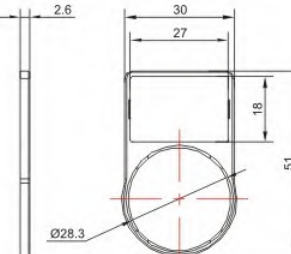
外形尺寸图 Boundary Dimension(mm)

| | | |
|----------------------------------|--|---------------------|
| 开关模块 Contact Module |  | 23 33.5 9.8 |
| 发光模块 Light Module |  | 23 33.5 9.8 |
| 双极触点模块 Bipolar Contact Module |  | 38.7 39 9.8 |
| 蠕动型标准款 |  | 21.8 33.5 9.8 |

附件 Accessory





| 名称和外观 Name and Photo | 订货号码 Order Number | 最小起订量 M.O.Q | 外形尺寸图 Boundary Dimension | 名称和外观 Name and Photo | 订货号码 Order Number | 最小起订量 M.O.Q | 外形尺寸图 Boundary Dimension |
|---|----------------------|----------------|---|---|----------------------|----------------|---|
|  <p>中座 Holder</p> | TS290A | 1 |  |  <p>保护罩(平钮) Protective Cap for Push Button</p> | TS290F | 1 |  |
|  <p>安装手柄 Mounting Socket</p> | TS290B | 1 |  |  <p>保护罩(旋钮) Protective Cap for Selector Switch</p> | TS290H | 1 |  |
|  <p>面板塞 Blanking Plug</p> | TS290C | 1 |  <p>面板厚度 1-6 mm Panel Thickness 密封圈 Gasket 锁紧螺母 Mounting Screw 2.8 15.8 Ø29.5</p> |  <p>防护圈 (蘑菇钮、急停钮) Protective Collar for Mushroom PushButton and E-Stop</p> | TS290G | 1 |  |
|  <p>急停按钮警告圈 E-Stop Label</p> | TS290D | 1 |  <p>1.6 3.6 Ø60 EMERGENCY STOP</p> |  <p>防护圈 (旋钮、蘑菇钮) Protective Collar for Selector Switch and Mushroom PushButton</p> | TS290N | 1 |  |
|  <p>密封罩(平钮) Sealable Cap for Push Button</p> | TS290E | 1 |  <p>13 Ø31.1 Ø31.5</p> |  <p>防护圈 (急停钮, 异形) Protective Collar for E-stop</p> | TS290P | 1 |  |

标签印字 Label Printing

| 名称和外观 Name and Photo | 印字描述 Printing Description | 订货号码 Order Number | 最小起订量 M.O.Q | 外形尺寸图 Boundary Dimension |
|--|------------------------------|----------------------|----------------|---|
|  <p>标签架带标签牌 Label Plate 9x27mm 标签牌激光印字：白底黑字 Laser Printing: White Board, Black Words</p> | 空白 | TS290J-0AA00 | 1 |  |
| | 停止 启动 | TS290J-0AB10 | | |
| | 分闸 合闸 | TS290J-0AC10 | | |
| | 自动 手动 | TS290J-0AD10 | | |
| | 关闭 打开 | TS290J-0AE10 | | |
| | 关 开 | TS290J-0AF10 | | |
| | 检验 复位 | TS290J-0AG10 | | |
| | OFF-ON | TS290J-0AH20 | | |
| | STOP-START | TS290J-0AJ20 | | |
| | AUTO-HAND | TS290J-0AK20 | | |
| | O-I | TS290J-0AL30 | | |
| I-II | TS290J-0AM30 | | | |
| I-O-II | TS290J-0AN30 | | | |
| 客户自定义 Customerized | TS290J-0AP90 | | | |
|  <p>标签架带标签牌 Label Plate 9x27mm 透明标签牌与印刷标签组合 Transparent Board and Printing Label</p> | 空白 | TS290K-0AA00 | 1 |  |
| | 停止 启动 | TS290K-0AB10 | | |
| | 分闸 合闸 | TS290K-0AC10 | | |
| | 自动 手动 | TS290K-0AD10 | | |
| | 关闭 打开 | TS290K-0AE10 | | |
| | 关 开 | TS290K-0AF10 | | |
| | 检验 复位 | TS290K-0AG10 | | |
| | OFF-ON | TS290K-0AH20 | | |
| | STOP-START | TS290K-0AJ20 | | |
| | AUTO-HAND | TS290K-0AK20 | | |
| | O-I | TS290K-0AL30 | | |
| I-II | TS290K-0AM30 | | | |
| I-O-II | TS290K-0AN30 | | | |
| 客户自定义 Customerized | TS290K-0AP90 | | | |
|  <p>标签架带标签牌 Label Plate 18x27mm 标签牌激光印字：白底黑字 Laser Printing: White Board, Black Words</p> | 空白 | TS290L-0AA00 | 1 |  |
| | 停止 启动 | TS290L-0AB10 | | |
| | 分闸 合闸 | TS290L-0AC10 | | |
| | 自动 手动 | TS290L-0AD10 | | |
| | 关闭 打开 | TS290L-0AE10 | | |
| | 关 开 | TS290L-0AF10 | | |
| | 检验 复位 | TS290L-0AG10 | | |
| | OFF-ON | TS290L-0AH20 | | |
| | STOP-START | TS290L-0AJ20 | | |
| | AUTO-HAND | TS290L-0AK20 | | |
| | O-I | TS290L-0AL30 | | |
| I-II | TS290L-0AM30 | | | |
| I-O-II | TS290L-0AN30 | | | |
| 客户自定义 Customerized | TS290L-0AP90 | | | |
|  <p>标签架带标签牌 Label Plate 18x27mm 透明标签牌与印刷标签组合 Transparent Board and Printing Label</p> | 空白 | TS290M-0AA00 | 1 |  |
| | 停止 启动 | TS290M-0AB10 | | |
| | 分闸 合闸 | TS290M-0AC10 | | |
| | 自动 手动 | TS290M-0AD10 | | |
| | 关闭 打开 | TS290M-0AE10 | | |
| | 关 开 | TS290M-0AF10 | | |
| | 检验 复位 | TS290M-0AG10 | | |
| | OFF-ON | TS290M-0AH20 | | |
| | STOP-START | TS290M-0AJ20 | | |
| | AUTO-HAND | TS290M-0AK20 | | |
| | O-I | TS290M-0AL30 | | |
| I-II | TS290M-0AM30 | | | |
| I-O-II | TS290M-0AN30 | | | |
| 客户自定义 Customerized | TS290M-0AP90 | | | |

备注: 可根据客户印字方向要求打印 Can print according to the customer's requirement

平钮及指示灯印字 PB & PL Printing

| 名称和外观 Name and Photo | 印字描述 Printing Description | 说明 Comment | 印字编号(*) Printing Number |
|---|------------------------------|---|----------------------------|
|  <p>指示灯灯罩 Pilot light</p> | 启动 | | P01 |
| | 停止 | | P02 |
|  <p>照明平钮 Illuminated Push Button</p> | 上升 | | P03 |
| | 下降 | | P04 |
|  <p>平按钮片 Push Button</p> | 开 | | P05 |
| | 关 | | P06 |
|  <p>双按钮片 Twin PushButton</p> | 试验 | | P07 |
| | 电源 | | P08 |
| | START | | P21 |
| | STOP | | P22 |
| | UP | | P23 |
| | DOWN | | P24 |
| | ON | | P25 |
| | OFF | | P26 |
| | RESET | | P27 |
| | TEST | | P28 |
| | MANUAL | | P29 |
| | AUTO | | P30 |
| | O | | P31 |
| | I | | P32 |
| | II | | P33 |
| | III | | P34 |
| | — | *ON*(power) / 5007 IEC60417 | P51 |
| | ○ | *OFF*(power) / 5008 IEC60417 | P52 |
| | ⊕ | *ON*/"OFF"(push-push) / 5010 IEC60417 | P53 |
| | ⊖ | *ON*/"OFF"(push button) / 5011 IEC60417 | P54 |
| | 📣 | HORN / 5014 IEC60417 | P55 |
| | ↔ | Movement in one direction / 5022 IEC60417 | P56 |
| | 🔄 | Clockwise rotation / 0004 ISO7000 | P57 |
| | 🔄 | Counterclockwise rotation / | P58 |
| | 🚗 | Brake on / 0020 ISO7000 | P59 |
| | 🚗 | Brake off / 0021 ISO7000 | P60 |
| | 🌬️ | Blowing / 0032 ISO7000 | P61 |
| | 🌬️ | Suction / 0033 ISO7000 | P62 |
| | 👤 | Manual control / 0096 ISO7000 | P63 |
| | 👤 | Pump / 0134 ISO7000 | P64 |
| | 👤 | Centrifugal pump / 0135 ISO7000 | P65 |
| | 👤 | Coolant pump / 0355 ISO7000 | P66 |
| | ↑ | 上行方向按钮 / Upward | P67 |
| | ↓ | 下行方向按钮 / Downward | P68 |
| | ⚡ | 运行按钮 / Run | P69 |
| | ⚠️ | 报警按钮 / Alarm | P70 |
| | ↑ | 上行方向按钮(粗) / Upward(BOLD) | P72 |
| | ↓ | 下行方向按钮(粗) / Downward(BOLD) | P73 |
| | ↑ | 运行按钮(粗) / Run(BOLD) | P74 |
| | 客户自定义 Customerized | | P90 |

(1)照明平钮及指示灯印字编码共享, 客户订购按钮或指示灯时, 将该符号对应的编号附在产品订货号后即可, 使用"/"作为分隔符。
 示例: 照明平钮 塑料 平头 瞬动 发光 红 "TS2011-0AM10"; 若需指定其符号片印字 "START", 则对应的订货号书写为 "TS2011-0AM10/P21"。
 Illuminated push button and pilot light share the same coding rule for the printing number, Customer should add the slash mark "/" behind of the product order number, then write the relevant printing number.

eg: Illuminated Push Button Flush Momentary Red plastic, it's order number should be "TS2011-0AM10"; When you need the printing "START", the relevant order number should be "TS2011-0AM10/P21".

(2)印字效果说明 Printing effect remarks:

红底、绿底、蓝底、黑底默认印白色字符; The printing is white colour when the base colour is Red, Green, Blue, Black;
 白底、黄底默认印黑色字符; The printing is black colour when the base colour is white and Yellow.

安装尺寸图 Panel Mounting Dimension(mm)

| 元器件Product 塑料型、金属前环型 Type of Plastic and Metal FrontRing | A (mm) | B(mm) | 元器件Product 纯平型 金属前环型 Recessed Metal FrontRing | A (mm) | B(mm) |
|--|--------|-------|--|--------|-------|
|  双按钮 Twin PB | ≥50 | ≥30 |  平钮/拨动钮/停止/旋钮/钥匙钮 PushButton/Toggle Switch/ Stop PushButton/Selector Switch/Key Switch | ≥40 | ≥40 |
| 平钮/拨动钮/停止/旋钮/短柄旋钮 钥匙钮/Ø30蘑菇钮/指示灯 PushButton/Toggle Switch/Stop PushButton/ Selector Switch(Short handle) Key Switch/Mushroom PushButton(Ø30)/ Pilot Light | ≥40 | ≥30 | | | |
| Ø32急停钮/Ø32钥匙急停钮 E-stop(Ø32)/Key E-stop(Ø32) | ≥40 | ≥35 | | | |
| Ø40急停钮/Ø40钥匙急停钮/ Ø40蘑菇钮长柄旋钮 E-stop(Ø40)/Key E-stop(Ø10) | ≥40 | ≥42 | | | |

备注：客户在使用配套附件时，应按实际间距开孔，以免产品干涉。

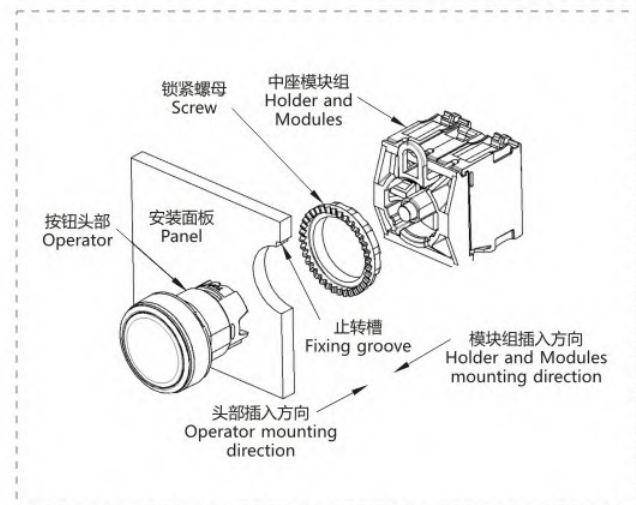
Remarks: When customer mounting the actuators together with relevant accessories, please pay attention to the opening space in order to avoid interference.

安全注意事项 Safety Issue

- ※ 在进行安装、拆卸、配线作业以及维护检查之前，请务必先切断电源，以免引起触电及火灾发生的危险。
To avoid the unexpected electric shock and fire hazard, power off is must before mounting, disassembly and maintenance.
- ※ 接线时请使用符合电压及电流要求的电线。将M3.5螺钉以0.8N.m的扭矩拧紧，请勿在螺丝松弛的状态下使用以免因过热而引起着火。
Wire should conform to requirement. Tighten the M3.5 screw with 0.8N.m torque, do not use it in a loose state to avoid fire caused by overheating.

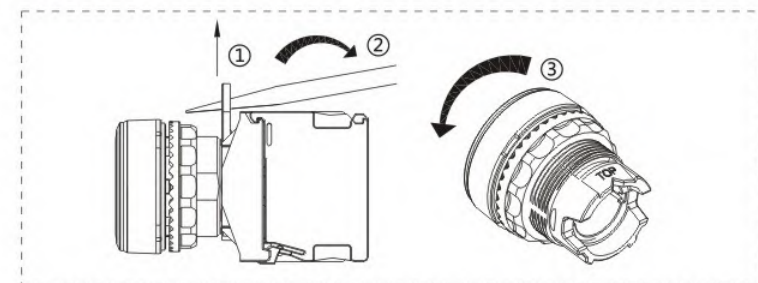
使用说明 Operation Manual

产品安装 Product Mounting



- ※ 将按钮上TOP标记对准面板上的凹槽插入安装孔中，从面板背面拧紧锁紧螺母。
Insert the operator and make sure the "TOP" mark along the fixing groove, fix tightly the screw at the back of the panel.
- ※ 将中座模块组的锁扣、按钮套筒上的TOP标记对齐后插入按钮头部。
Mounting the holder and modules and make sure the U lock along the "TOP" mark direction.

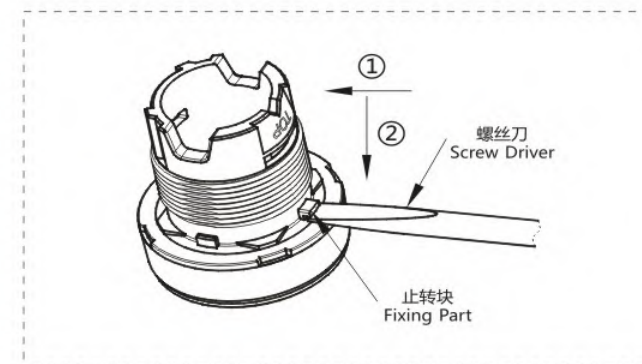
产品拆卸 Product Disassembly



- ※ 用螺丝刀沿着箭头①向上适当撬起锁扣。
Use screw driver to pull up the U lock along the arrow ① direction.
- ※ 沿箭头②方向翻转开关模块，使中座与头部脱离。
Push down along the arrow ② direction, turn over the mould to separate from the push button.
- ※ 沿箭头③方向从按钮上拧下锁紧螺母。
Unlock the screw along the arrow ③ direction.

注意 Attention

- ※ 在将按钮安装到面板上时，请使用安装手柄拧紧锁紧螺母。切勿使用钳子等非专业工具过度拧紧以免损坏锁紧螺母。
During the mounting process, mounting socket is recommended. Other tools are forbidden to use.
- ※ 安装时确保TOP标记、锁扣、面板凹槽在同一直线。
Ensure the "TOP" mark, fixing groove and U lock in the same direction.



特殊使用 (去防止转块) Special Use(Remove the Fixing Part)

在安装孔没有止转槽时可按以下操作步骤，去除套筒上的止转块（平钮、指示灯、停止钮、拨动钮除外）以满足装配要求。配合使用工具斜口钳或一字螺丝刀。

方法一：装螺丝刀沿箭头①方向插入止转块下方的空隙。向箭头②方向用力可将止转块撬断。

方法二：用斜口钳直接将止转块剪断。

方法三：用安装手柄将锁紧螺母旋紧，通过面板产生的挤压力将止转块压断。

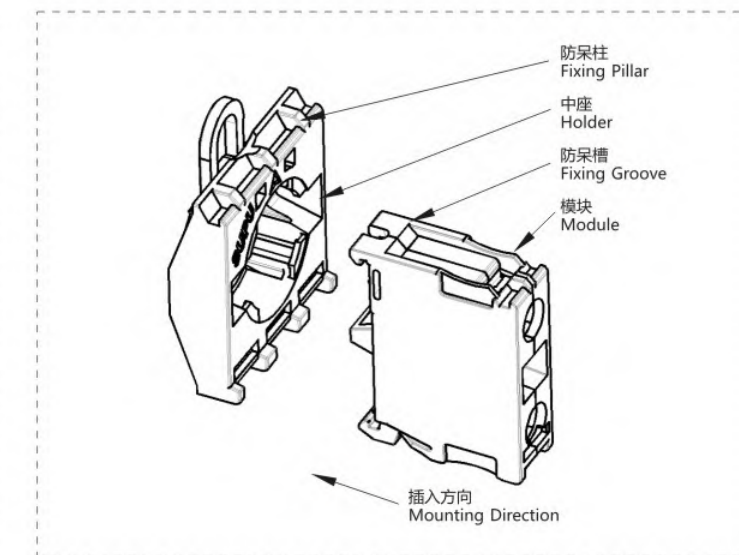
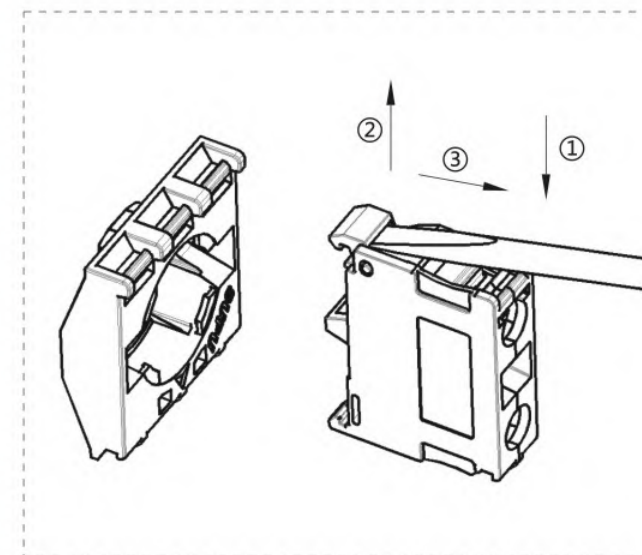
Fixing part is designed for anti-rotation, in case of on fixing groove at the panel hole, it's necessary to remove the fixing part on the barrel by screw driver.

模块拆解及安装 Module mounting and dismounting

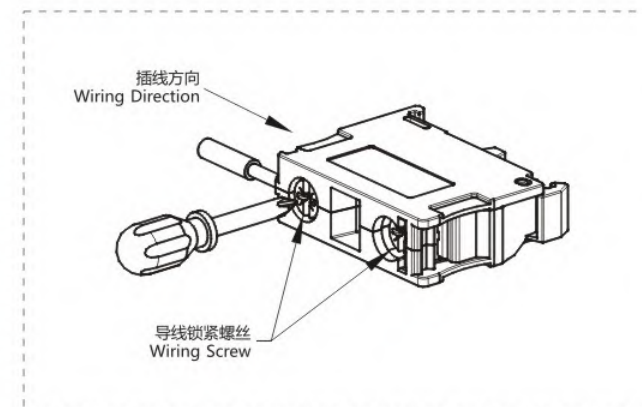
- ※ 将中座的锁扣朝下。
- ※ 用一字螺丝刀插入模块上的卡槽，沿箭头①方向压螺丝刀，将模块卡口沿箭头②方向撬起。
- ※ 保持撬起状态，沿顺时针转动螺丝刀并沿方向②拆除模块。

- ※ 模块安装时首先需要将模块上的防呆槽对准中座上的防呆柱。
- ※ 防呆结构对准后按如图所示方向用力将模块装入中座，听到啪一声即表示已扣住。

It's poka-yoke design for modules mounting without tools; Slot screw driver is necessary for modules dismounting.



模块接线 Wiring



- ※ 锁紧螺丝采用十、一字头型，可使用两种螺丝刀，兼容性好。
- ※ 导线连接时先拧松压紧螺丝到足够行程，当感受到螺丝打滑时即为极限位置。
- ※ 导线垂直插入压接弹片下方，然后用M3.5螺丝的标准扭矩将螺丝拧紧。
- ※ PH/PZ screw drivers both can be used for wiring screw.

注意 Attention

- ※ 螺丝刀尺寸不匹配可造成螺丝头部滑牙。
- ※ 螺丝扭矩未达到或超过标准要求可造成导线松脱和螺丝头部滑牙。
- ※ Suitable screw driver head size is required.
- ※ Required screw driver torque should be ensured.

▲永不松动的安装方式 Never Loosing Assembling Method

产品采用传统的螺母锁紧的固定方式，一般螺纹安装的产品长期使用在振动较为强烈的环境中，螺纹会出现松脱的现象，导致产品安装不牢靠，容易出现安全事故；我司采用特殊的卡板止转结构设计，保障了螺纹在长期振动环境中“永不松动”。

Products adopt the traditional screw locking way. Normal screw will get loose when using under vibration surrounding for long time. Then it may leads to safty accident because of the unfit switches. Our products adopts special lock-stop structur, which make sure the screw will never loose under vibration. The patent is under applying.

▲高人一等的安全等级 Best Safty Protection

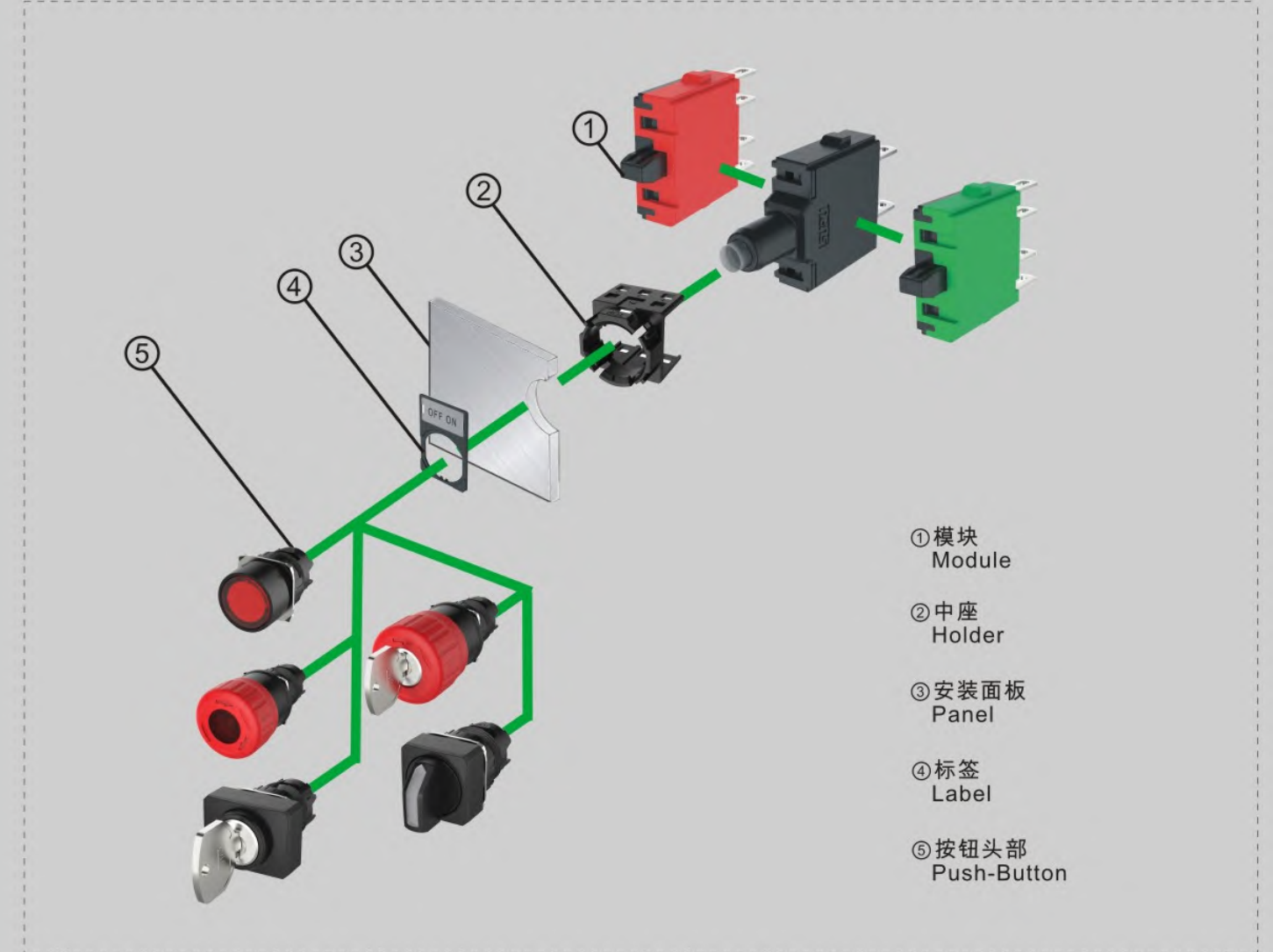
蠕动、快动模块都具有触点自洁和直接断开功能（符合IEC60947-5-1附件K）；即使触点发生熔焊，也能通过额外施加的外力按压按钮使得触点可靠分断，快动模块直接断开功能发明专利正在申请当中。

Both squirm and momentary contact have self-cleaning & immediate break-down function. (Approval for IEC60947-5-1 Attachments1); The switches can get broken down even though the switch get melting-welding. Where it get the press force outside to make the contact break down so as to the circuit get down. The momentary contact patent is on pending.

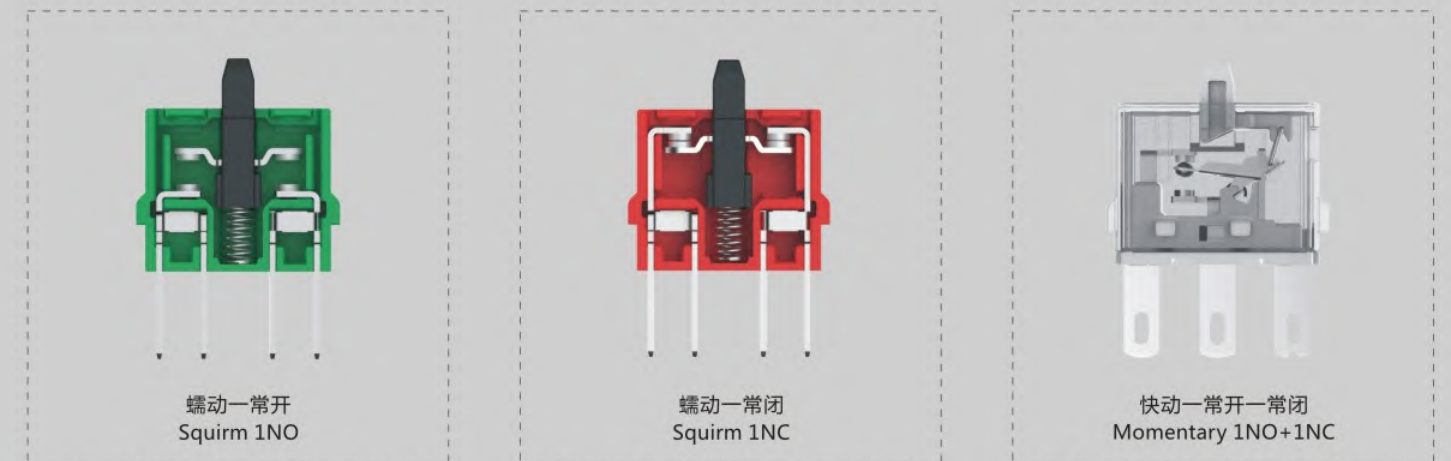
▲紧凑型指示灯，精巧耐用 Compacted indicator light, well designe and duareable

- ◇采用高亮度LED芯片，功耗低、寿命长。
- ◇两种头型可根据客户提供文字、符号印刷。
- ◇安装简便，螺母直接锁紧即可。
- ◇使用电压范围广，提供9种规格可选，支持特殊电压规格定制。

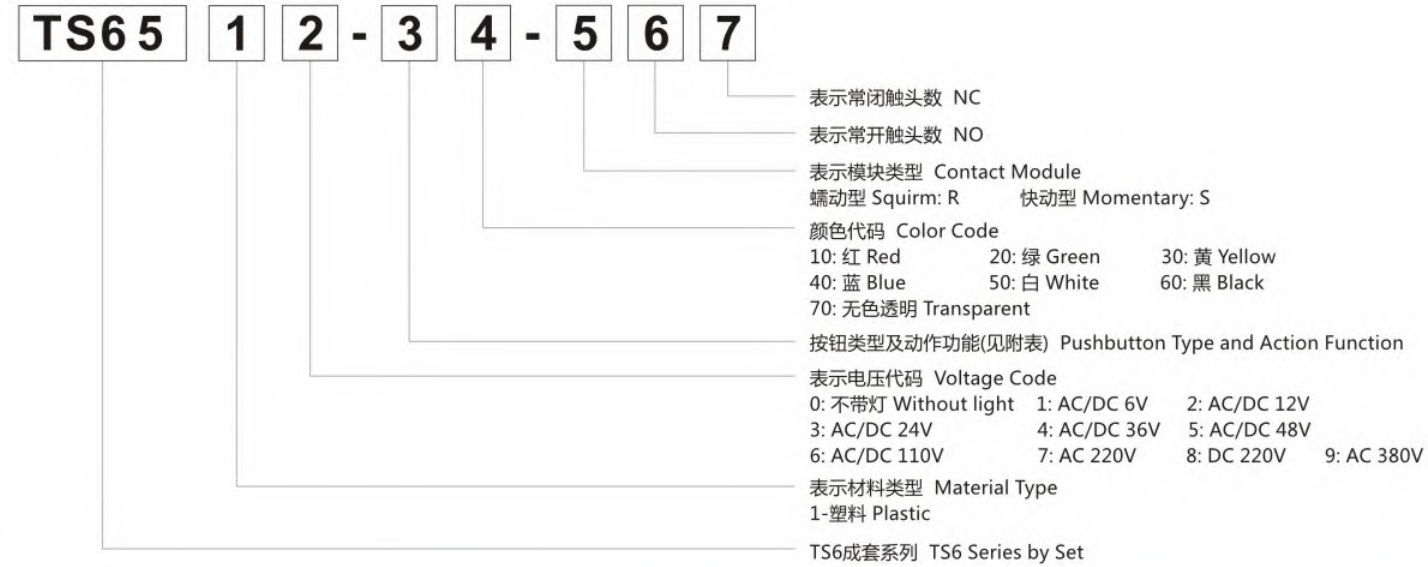
- ◇Adopt brighted LED chip, low power cost and long life cycle.
- ◇2 kinds of head, printing aviable for customers' request.
- ◇Easy assembly, just screw tightly by knob to lock.
- ◇Big voltlage range, 9 voltage options. Support special voltlage.



模块示意图 Contact Diagram



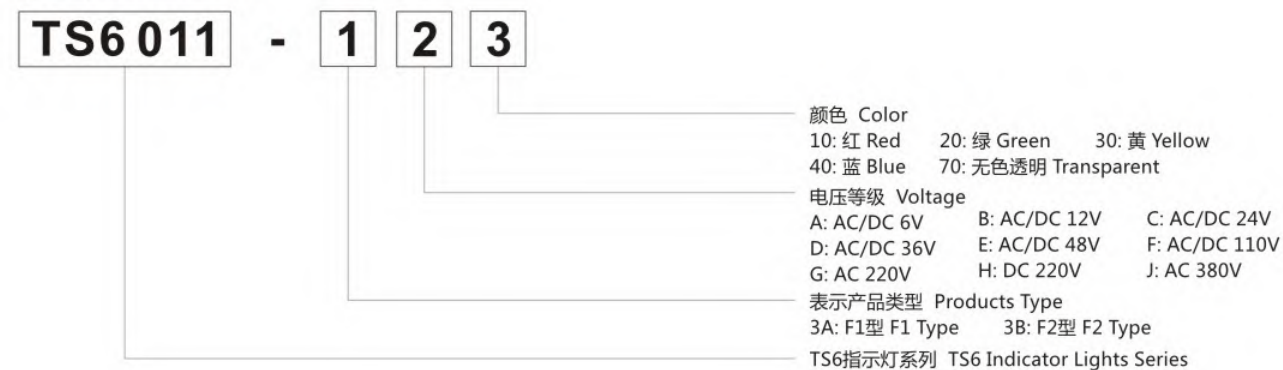
按钮/ PushButton



3 按钮类型及动作功能 Pushbutton Type and Action Function

| 代码 | 含义 | 代码 | 含义 | 代码 | 含义 |
|-----|----------------------|-----|-------------------------------|-----|--------------------------------|
| OAM | 平钮 平头 圆形 瞬动 | 1BE | 旋钮 短柄 方形 3位置左定位, 右复位 | 2BE | 钥匙钮 方形 3位置左定位, 右定位, 钥匙中间可拨 |
| OAL | 平钮 平头 圆形 自锁 | 1BF | 旋钮 短柄 方形 3位置左右定位 | 2BF | 钥匙钮 方形 3位置左定位, 右定位, 钥匙中间、右侧可拨 |
| OBM | 平钮 平头 方形 瞬动 | 1CA | 旋钮 短柄 长方形 2位置右自复 | 2BG | 钥匙钮 方形 3位置左定位, 右复位, 钥匙中间可拨 |
| OBL | 平钮 平头 方形 自锁 | 1CB | 旋钮 短柄 长方形 2位置定位 | 2BH | 钥匙钮 方形 3位置左定位, 右复位, 钥匙中间、左侧可拨 |
| OCM | 平钮 平头 长方形 瞬动 | 1CC | 旋钮 短柄 长方形 3位置左右自复位 | 2BJ | 钥匙钮 方形 3位置定位, 钥匙中间可拨 |
| OCL | 平钮 平头 长方形 自锁 | 1CD | 旋钮 短柄 长方形 3位置左定位, 右定位 | 2BK | 钥匙钮 方形 3位置定位, 钥匙中间、右侧可拨 |
| ODM | 平钮 凸头 圆形 瞬动 | 1CE | 旋钮 短柄 长方形 3位置左定位, 右复位 | 2BL | 钥匙钮 方形 3位置定位, 钥匙中间、左侧可拨 |
| ODL | 平钮 凸头 圆形 自锁 | 1CF | 旋钮 短柄 长方形 3位置左右定位 | 2BM | 钥匙钮 方形 3位置定位, 钥匙中间、左侧、右侧可拨 |
| OEM | 平钮 凸头 方形 瞬动 | 2AA | 钥匙钮 圆形 2位置自复位, 钥匙左侧可拨 | 2CA | 钥匙钮 长方形 2位置自复位, 钥匙左侧可拨 |
| OEL | 平钮 凸头 方形 自锁 | 2AB | 钥匙钮 圆形 2位置定位, 钥匙左侧可拨 | 2CB | 钥匙钮 长方形 2位置定位, 钥匙左侧可拨 |
| OFM | 平钮 凸头 长方形 瞬动 | 2AC | 钥匙钮 圆形 2位置定位, 钥匙左、右侧可拨 | 2CC | 钥匙钮 长方形 2位置定位, 钥匙左、右侧可拨 |
| OFL | 平钮 凸头 长方形 自锁 | 2AD | 钥匙钮 圆形 3位置左右自复位, 钥匙中间可拨 | 2CD | 钥匙钮 长方形 3位置左右自复位, 钥匙中间可拨 |
| OGL | 急停钮 Ø25 | 2AE | 钥匙钮 圆形 3位置左定位, 右定位, 钥匙中间可拨 | 2CE | 钥匙钮 长方形 3位置左定位, 右定位, 钥匙中间可拨 |
| OJL | 钥匙急停钮 Ø25 | 2AF | 钥匙钮 圆形 3位置左定位, 右定位, 钥匙中间、右侧可拨 | 2CF | 钥匙钮 长方形 3位置左定位, 右定位, 钥匙中间、右侧可拨 |
| 1AA | 旋钮 短柄 圆形 2位置右自复 | 2AG | 钥匙钮 圆形 3位置左定位, 右复位, 钥匙中间可拨 | 2CG | 钥匙钮 长方形 3位置左定位, 右复位, 钥匙中间可拨 |
| 1AB | 旋钮 短柄 圆形 2位置定位 | 2AH | 钥匙钮 圆形 3位置左定位, 右复位, 钥匙中间、左侧可拨 | 2CH | 钥匙钮 长方形 3位置左定位, 右复位, 钥匙中间、左侧可拨 |
| 1AC | 旋钮 短柄 圆形 3位置左右自复位 | 2AJ | 钥匙钮 圆形 3位置定位, 钥匙中间可拨 | 2CJ | 钥匙钮 长方形 3位置定位, 钥匙中间可拨 |
| 1AD | 旋钮 短柄 圆形 3位置左定位, 右定位 | 2AK | 钥匙钮 圆形 3位置定位, 钥匙中间、右侧可拨 | 2CK | 钥匙钮 长方形 3位置定位, 钥匙中间、右侧可拨 |
| 1AE | 旋钮 短柄 圆形 3位置左定位, 右复位 | 2AL | 钥匙钮 圆形 3位置定位, 钥匙中间、左侧可拨 | 2CL | 钥匙钮 长方形 3位置定位, 钥匙中间、左侧可拨 |
| 1AF | 旋钮 短柄 圆形 3位置左右定位 | 2AM | 钥匙钮 圆形 3位置定位, 钥匙中间、左侧、右侧可拨 | 2CM | 钥匙钮 长方形 3位置定位, 钥匙中间、左侧、右侧可拨 |
| 1BA | 旋钮 短柄 方形 2位置右自复 | 2BA | 钥匙钮 方形 2位置自复位, 钥匙左侧可拨 | | |
| 1BB | 旋钮 短柄 方形 2位置定位 | 2BB | 钥匙钮 方形 2位置定位, 钥匙左侧可拨 | | |
| 1BC | 旋钮 短柄 方形 3位置左右自复位 | 2BC | 钥匙钮 方形 2位置定位, 钥匙左、右侧可拨 | | |
| 1BD | 旋钮 短柄 方形 3位置左定位, 右定位 | 2BD | 钥匙钮 方形 3位置左右自复位, 钥匙中间可拨 | | |

指示灯/Indicator light



TS6天枢系列16mm按钮及指示灯技术参数 TS6 Series Product Technical Data

| | |
|--|---|
| 技术标准 Standard | GB14048.5 IEC60947-5-1 |
| 认证 ^① Approval | CCC CE |
| 储存及运输环境温度 Storage Ambient Temperature | -45°C ~ 80°C |
| 使用环境温度 Usage Ambient Temperature | -25°C ~ 55°C |
| 防护等级 Protection Level | 平钮、旋钮、钥匙钮、急停钮: IP65 PushButton, Selector Switch, Key Switch, E-Stop: IP65 指示灯: IP65、IP67 Pilot Light: IP65、IP67 |
| 绝缘电阻 Insulation Resistance | ≥100MΩ |
| 接触电阻 Contact Resistance | ≤50mΩ |
| 额定冲击耐受电压 Rated impulse withstand voltage | 2500V |
| 工频耐压(Uimp) Power Frequency Withstand Voltage | 1500V•1min |
| 耐振动 Vibration Resistance | 10...500Hz 5g |
| 绝缘耐压(Ui) Insulation Voltage | 300V |
| 约定发热电流(Ith) Conventional Thermal Current | 蠕动型(Squirrm): 5A(AC) 快动型(Momentary): 3A(AC) |
| 机械寿命(次) Mechanical Endurance(Cycles) | 平钮 PushButton 瞬动型(Momentary): 1,000,000 锁定型(Latch): 300,000 旋钮、钥匙钮(Selector Switch, Key Switch): 500,000 急停钮(E-Stop): 100,000 |
| 电气寿命(次) Electrical Endurance(Cycles) | AC-15 10万次 DC-13 5万次 |
| 触点额定容量 Contact Rated Capacity | 蠕动型(Squirrm): AC-15 220V/1.5A 110V/3A DC-13 220V/0.1A 110V/0.22A 快动型(Momentary): AC-15 220V/0.5A 110V/1A 24V/3A DC-13 220V/0.1A 110V/0.2A 24V/0.7A |
| 弱电开关的专用触点特性 Specifications of special contact blocks | Pmax:12 VA Imax:1A Umax:24V |
| 触点材料 Contact Material | 银合金(AgNi)(标准触点) Silver alloy(AgNi) (standard contact) 镀金(AgNi/Au) (弱电系统) Gold flashed (AgNi/Au) (Low power switching) |
| 最小适用负载(参考值) Minimum Applicable load (reference value) | 5V AC/DC.1mA |
| 安装方式 Mounting Type | 螺母安装 Screw Mounting |
| 安装扭矩(Max) Installation Twisting | 1.2N.m |
| RoHS材料 RoHS Material | 是 Yes |
| 指示灯及发光模块电压 Voltage of Pilot Light and Light Modules | AC/DC: 6V/12V/24V/36V/48V/110V ; 220VAC/220VDC/380VAC |
| LED连续工作寿命 MTBF | ≥50000小时/Hours |

(1)UL认证准备中 UL Certification is pending

(2)弱电系统建议采用镀金触点, 请在订单中注明。

The weak electric system is recommended to use gold plated contacts, please note in the order.

| 平钮 塑料型 PushButton Plastic | | | | | | | | |
|--|-------------------|---|---|-----------------------|------------------|----------------------------------|----------------------------------|----------------|
| 名称和外观 Name and Photo | 动作类型 Operation | 颜色 Color | 发光模块类型 Light Module Type | 触头开关类型 Module Type | 触头数量 Contacts | 成套订货号码 Order Number(Complete) | 单一头部订货号码 Order Number(Single) | 最小起订量 M.O.Q |
|  平头型Flush | 瞬动型 Momentary | ①表示 颜色代码 ● 10 ● 20 ● 30 ● 40 ④ 70 | ②表示LED发光 模块电压类型 Voltage Code of LED module 0-不发光 1-AC/DC 6V 2-AC/DC 12V 3-AC/DC 24V 4-AC/DC 36V 5-AC/DC 48V 6-AC/DC 110V 7-AC 220V 8-DC 220V 9-AC 380V | 蠕动型: R Squirm: R | 10 | TS6512-0AM①-R10 | TS6012-0AM① | 1 |
| | | | | | 01 | TS6512-0AM①-R01 | | |
| | | | | | 11 | TS6512-0AM①-R11 | | |
| | | | | | 20 | TS6512-0AM①-R20 | | |
| | | | | | 02 | TS6512-0AM①-R02 | | |
| | | | | | 21 | TS6512-0AM①-R21 | | |
| | | | | 12 | TS6512-0AM①-R12 | | | |
| | | | | 30 | TS6512-0AM①-R30 | | | |
| | | | | 03 | TS6512-0AM①-R03 | | | |
| | | | | 11 | TS6512-0AM①-S11 | | | |
| | | | | 22 | TS6512-0AM①-S22 | | | |
| | | | | 33 | TS6512-0AM①-S33 | | | |
| | 自锁型 Latch | 蠕动型: R Squirm: R | 10 | TS6512-0AL①-R10 | TS6012-0AL① | 1 | | |
| | | | 01 | TS6512-0AL①-R01 | | | | |
| | | | 11 | TS6512-0AL①-R11 | | | | |
| | | | 20 | TS6512-0AL①-R20 | | | | |
| | | | 02 | TS6512-0AL①-R02 | | | | |
| | | | 21 | TS6512-0AL①-R21 | | | | |
| | | 12 | TS6512-0AL①-R12 | | | | | |
| | | 30 | TS6512-0AL①-R30 | | | | | |
| | | 03 | TS6512-0AL①-R03 | | | | | |
| | | 11 | TS6512-0AL①-S11 | | | | | |
| | | 22 | TS6512-0AL①-S22 | | | | | |
| | | 33 | TS6512-0AL①-S33 | | | | | |
|  凸头型Extended | 瞬动型 Momentary | ①表示 颜色代码 ● 10 ● 20 ● 30 ● 40 ④ 70 | ②表示LED发光 模块电压类型 Voltage Code of LED module 0-不发光 1-AC/DC 6V 2-AC/DC 12V 3-AC/DC 24V 4-AC/DC 36V 5-AC/DC 48V 6-AC/DC 110V 7-AC 220V 8-DC 220V 9-AC 380V | 蠕动型: R Squirm: R | 10 | TS6512-0DM①-R10 | TS6012-0DM① | 1 |
| | | | | | 01 | TS6512-0DM①-R01 | | |
| | | | | | 11 | TS6512-0DM①-R11 | | |
| | | | | | 20 | TS6512-0DM①-R20 | | |
| | | | | | 02 | TS6512-0DM①-R02 | | |
| | | | | | 21 | TS6512-0DM①-R21 | | |
| | | | | 12 | TS6512-0DM①-R12 | | | |
| | | | | 30 | TS6512-0DM①-R30 | | | |
| | | | | 03 | TS6512-0DM①-R03 | | | |
| | | | | 11 | TS6512-0DM①-S11 | | | |
| | | | | 22 | TS6512-0DM①-S22 | | | |
| | | | | 33 | TS6512-0DM①-S33 | | | |
| | 自锁型 Latch | 蠕动型: R Squirm: R | 10 | TS6512-0DL①-R10 | TS6012-0DL① | 1 | | |
| | | | 01 | TS6512-0DL①-R01 | | | | |
| | | | 11 | TS6512-0DL①-R11 | | | | |
| | | | 20 | TS6512-0DL①-R20 | | | | |
| | | | 02 | TS6512-0DL①-R02 | | | | |
| | | | 21 | TS6512-0DL①-R21 | | | | |
| | | 12 | TS6512-0DL①-R12 | | | | | |
| | | 30 | TS6512-0DL①-R30 | | | | | |
| | | 03 | TS6512-0DL①-R03 | | | | | |
| | | 11 | TS6512-0DL①-S11 | | | | | |
| | | 22 | TS6512-0DL①-S22 | | | | | |
| | | 33 | TS6512-0DL①-S33 | | | | | |

附件参见第48页 Accessory info: page 48

| 平钮 塑料型 PushButton Plastic | | | | | | | | |
|--|-------------------|---|---|-----------------------|------------------|----------------------------------|----------------------------------|----------------|
| 名称和外观 Name and Photo | 动作类型 Operation | 颜色 Color | 发光模块类型 Light Module Type | 触头开关类型 Module Type | 触头数量 Contacts | 成套订货号码 Order Number(Complete) | 单一头部订货号码 Order Number(Single) | 最小起订量 M.O.Q |
|  平头型Flush | 瞬动型 Momentary | ①表示 颜色代码 ● 10 ● 20 ● 30 ● 40 ④ 70 | ②表示LED发光 模块电压类型 Voltage Code of LED module 0-不发光 1-AC/DC 6V 2-AC/DC 12V 3-AC/DC 24V 4-AC/DC 36V 5-AC/DC 48V 6-AC/DC 110V 7-AC 220V 8-DC 220V 9-AC 380V | 蠕动型: R Squirm: R | 10 | TS6512-0BM①-R10 | TS6012-0BM① | 1 |
| | | | | | 01 | TS6512-0BM①-R01 | | |
| | | | | | 11 | TS6512-0BM①-R11 | | |
| | | | | | 20 | TS6512-0BM①-R20 | | |
| | | | | | 02 | TS6512-0BM①-R02 | | |
| | | | | | 21 | TS6512-0BM①-R21 | | |
| | | | | 12 | TS6512-0BM①-R12 | | | |
| | | | | 30 | TS6512-0BM①-R30 | | | |
| | | | | 03 | TS6512-0BM①-R03 | | | |
| | | | | 11 | TS6512-0BM①-S11 | | | |
| | | | | 22 | TS6512-0BM①-S22 | | | |
| | | | | 33 | TS6512-0BM①-S33 | | | |
| | 自锁型 Latch | 蠕动型: R Squirm: R | 10 | TS6512-0BL①-R10 | TS6012-0BL① | 1 | | |
| | | | 01 | TS6512-0BL①-R01 | | | | |
| | | | 11 | TS6512-0BL①-R11 | | | | |
| | | | 20 | TS6512-0BL①-R20 | | | | |
| | | | 02 | TS6512-0BL①-R02 | | | | |
| | | | 21 | TS6512-0BL①-R21 | | | | |
| | | 12 | TS6512-0BL①-R12 | | | | | |
| | | 30 | TS6512-0BL①-R30 | | | | | |
| | | 03 | TS6512-0BL①-R03 | | | | | |
| | | 11 | TS6512-0BL①-S11 | | | | | |
| | | 22 | TS6512-0BL①-S22 | | | | | |
| | | 33 | TS6512-0BL①-S33 | | | | | |
|  凸头型Extended | 瞬动型 Momentary | ①表示 颜色代码 ● 10 ● 20 ● 30 ● 40 ④ 70 | ②表示LED发光 模块电压类型 Voltage Code of LED module 0-不发光 1-AC/DC 6V 2-AC/DC 12V 3-AC/DC 24V 4-AC/DC 36V 5-AC/DC 48V 6-AC/DC 110V 7-AC 220V 8-DC 220V 9-AC 380V | 蠕动型: R Squirm: R | 10 | TS6512-0EM①-R10 | TS6012-0EM① | 1 |
| | | | | | 01 | TS6512-0EM①-R01 | | |
| | | | | | 11 | TS6512-0EM①-R11 | | |
| | | | | | 20 | TS6512-0EM①-R20 | | |
| | | | | | 02 | TS6512-0EM①-R02 | | |
| | | | | | 21 | TS6512-0EM①-R21 | | |
| | | | | 12 | TS6512-0EM①-R12 | | | |
| | | | | 30 | TS6512-0EM①-R30 | | | |
| | | | | 03 | TS6512-0EM①-R03 | | | |
| | | | | 11 | TS6512-0EM①-S11 | | | |
| | | | | 22 | TS6512-0EM①-S22 | | | |
| | | | | 33 | TS6512-0EM①-S33 | | | |
| | 自锁型 Latch | 蠕动型: R Squirm: R | 10 | TS6512-0EL①-R10 | TS6012-0EL① | 1 | | |
| | | | 01 | TS6512-0EL①-R01 | | | | |
| | | | 11 | TS6512-0EL①-R11 | | | | |
| | | | 20 | TS6512-0EL①-R20 | | | | |
| | | | 02 | TS6512-0EL①-R02 | | | | |
| | | | 21 | TS6512-0EL①-R21 | | | | |
| | | 12 | TS6512-0EL①-R12 | | | | | |
| | | 30 | TS6512-0EL①-R30 | | | | | |
| | | 03 | TS6512-0EL①-R03 | | | | | |
| | | 11 | TS6512-0EL①-S11 | | | | | |
| | | 22 | TS6512-0EL①-S22 | | | | | |
| | | 33 | TS6512-0EL①-S33 | | | | | |

附件参见第48页 Accessory info: page 48

平钮 塑料型 PushButton Plastic

| 名称和外观 Name and Photo | 动作类型 Operation | 颜色 Color | 发光模块类型 Light Module Type | 触头开关类型 Module Type | 触头数量 Contacts | 成套订货号码 Order Number(Complete) | 单一头部订货号码 Order Number(Single) | 最小起订量 M.O.Q |
|---|---------------------|---|---|---|------------------|----------------------------------|----------------------------------|----------------|
|  | 瞬动型 Momentary | ①表示 颜色代码 ● 10 ● 20 ● 30 ● 40 ② 70 | ②表示LED发光 模块电压类型 Voltage Code of LED module 0-不发光 1-AC/DC 6V 2-AC/DC 12V 3-AC/DC 24V 4-AC/DC 36V 5-AC/DC 48V 6-AC/DC 110V 7-AC 220V 8-DC 220V 9-AC 380V | 蠕动型: R Squirm: R | 10 | TS6512-0CM①-R10 | TS6012-0CM① | 1 |
| | | | | | 01 | TS6512-0CM①-R01 | | |
| | | | | | 11 | TS6512-0CM①-R11 | | |
| | | | | | 20 | TS6512-0CM①-R20 | | |
| | | | | | 02 | TS6512-0CM①-R02 | | |
| | | | | | 21 | TS6512-0CM①-R21 | | |
| | | | | 12 | TS6512-0CM①-R12 | | | |
| | | | | 30 | TS6512-0CM①-R30 | | | |
| | | | | 03 | TS6512-0CM①-R03 | | | |
| | | | | 11 | TS6512-0CM①-S11 | | | |
| | | | | 22 | TS6512-0CM①-S22 | | | |
| | | | | 33 | TS6512-0CM①-S33 | | | |
| | 自锁型 Latch | 蠕动型: R Squirm: R | ②表示LED发光 模块电压类型 Voltage Code of LED module 0-不发光 1-AC/DC 6V 2-AC/DC 12V 3-AC/DC 24V 4-AC/DC 36V 5-AC/DC 48V 6-AC/DC 110V 7-AC 220V 8-DC 220V 9-AC 380V | ①表示 颜色代码 ● 10 ● 20 ● 30 ● 40 ② 70 | 10 | TS6512-0CL①-R10 | TS6012-0CL① | 1 |
| | | | | | 01 | TS6512-0CL①-R01 | | |
| | | | | | 11 | TS6512-0CL①-R11 | | |
| | | | | | 20 | TS6512-0CL①-R20 | | |
| | | | | | 02 | TS6512-0CL①-R02 | | |
| | | | | | 21 | TS6512-0CL①-R21 | | |
| | | 12 | | | TS6512-0CL①-R12 | | | |
| | | 30 | | | TS6512-0CL①-R30 | | | |
| | | 03 | | | TS6512-0CL①-R03 | | | |
| | | 11 | | | TS6512-0CL①-S11 | | | |
| | | 22 | | | TS6512-0CL①-S22 | | | |
| | | 33 | | | TS6512-0CL①-S33 | | | |
| 瞬动型 Momentary | 蠕动型: R Squirm: R | ②表示LED发光 模块电压类型 Voltage Code of LED module 0-不发光 1-AC/DC 6V 2-AC/DC 12V 3-AC/DC 24V 4-AC/DC 36V 5-AC/DC 48V 6-AC/DC 110V 7-AC 220V 8-DC 220V 9-AC 380V | ①表示 颜色代码 ● 10 ● 20 ● 30 ● 40 ② 70 | 10 | TS6512-0FM①-R10 | TS6012-0FM① | 1 | |
| | | | | 01 | TS6512-0FM①-R01 | | | |
| | | | | 11 | TS6512-0FM①-R11 | | | |
| | | | | 20 | TS6512-0FM①-R20 | | | |
| | | | | 02 | TS6512-0FM①-R02 | | | |
| | | | | 21 | TS6512-0FM①-R21 | | | |
| | 12 | | | TS6512-0FM①-R12 | | | | |
| | 30 | | | TS6512-0FM①-R30 | | | | |
| | 03 | | | TS6512-0FM①-R03 | | | | |
| | 11 | | | TS6512-0FM①-S11 | | | | |
| | 22 | | | TS6512-0FM①-S22 | | | | |
| | 33 | | | TS6512-0FM①-S33 | | | | |
| 自锁型 Latch | 蠕动型: R Squirm: R | ②表示LED发光 模块电压类型 Voltage Code of LED module 0-不发光 1-AC/DC 6V 2-AC/DC 12V 3-AC/DC 24V 4-AC/DC 36V 5-AC/DC 48V 6-AC/DC 110V 7-AC 220V 8-DC 220V 9-AC 380V | ①表示 颜色代码 ● 10 ● 20 ● 30 ● 40 ② 70 | 10 | TS6512-0FL①-R10 | TS6012-0FL① | 1 | |
| | | | | 01 | TS6512-0FL①-R01 | | | |
| | | | | 11 | TS6512-0FL①-R11 | | | |
| | | | | 20 | TS6512-0FL①-R20 | | | |
| | | | | 02 | TS6512-0FL①-R02 | | | |
| | | | | 21 | TS6512-0FL①-R21 | | | |
| | 12 | | | TS6512-0FL①-R12 | | | | |
| | 30 | | | TS6512-0FL①-R30 | | | | |
| | 03 | | | TS6512-0FL①-R03 | | | | |
| | 11 | | | TS6512-0FL①-S11 | | | | |
| | 22 | | | TS6512-0FL①-S22 | | | | |
| | 33 | | | TS6512-0FL①-S33 | | | | |

说明:

□□表示常开常闭的触头数: 10(一常开)、01(一常闭)、11(一常开一常闭)、20(二常开)、02(二常闭)依次类推。

□□Means normally open module and normally close module number :10(1NO)、01(1NC)、11(1NO1NC)、20(2NO)、02(2NC).

订货号示例:

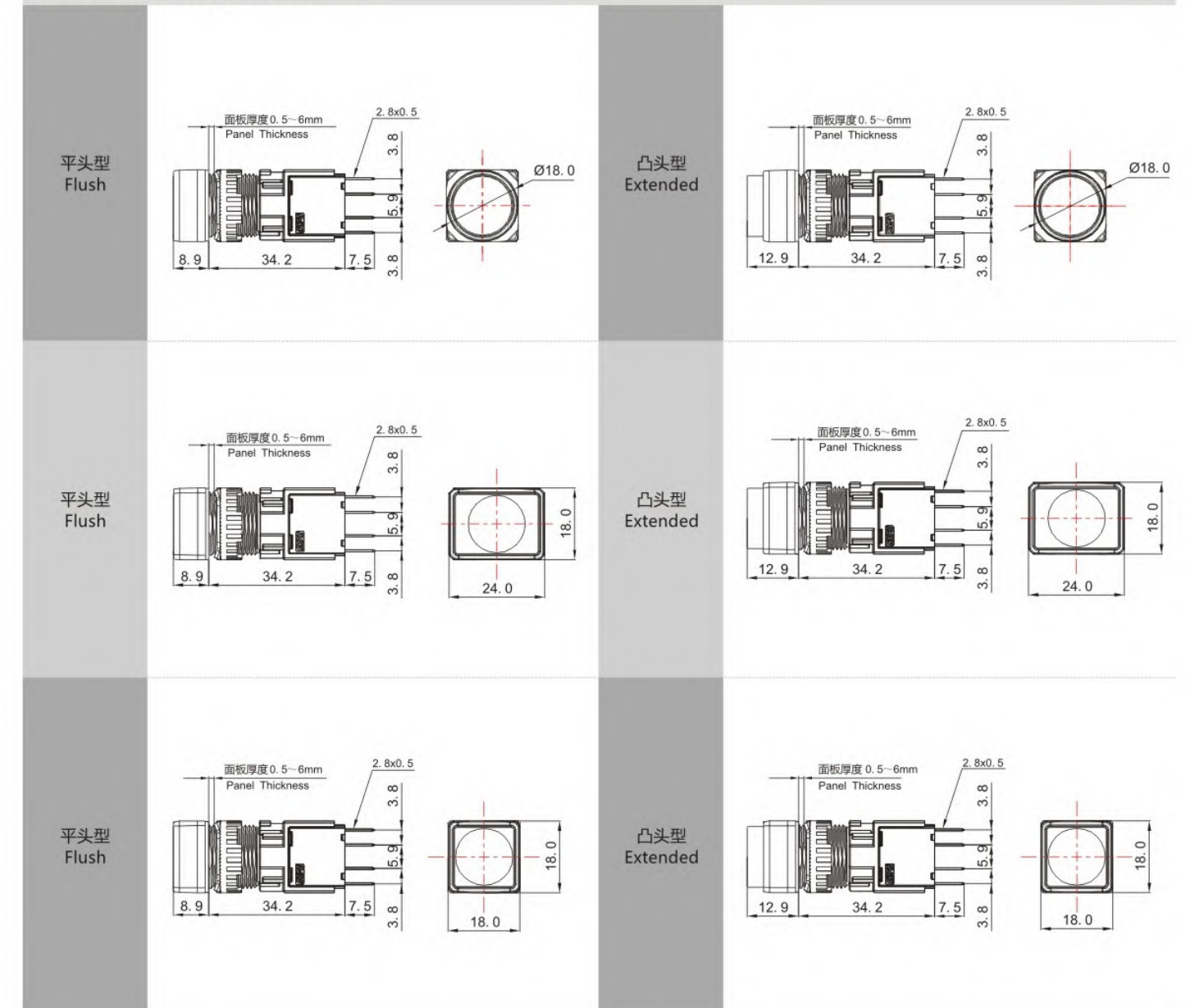
(单一): 平钮 塑料 平头 圆形 瞬动 红透, 订货号: TS6012-0AM10

(Single) Push Button Flush Mom. Plastic Round Red, Order Number is "TS6012-0AM10".

(成套): 平钮 塑料 平头 圆形 瞬动 发光, AC/DC24V 红透 蠕动型开关模块 1NO, 订货号: TS6513-0AM10-R10

(Complete) Illu. PushButton Flush Mom. Plastic Round AC/DC24V Red squirm 1NO, Order Number is "TS6513-0AM10-R10".

外形尺寸图 Boundary Dimension(mm)



旋钮 塑料型 Selector Switch Plastic

| 名称和外观 Name and Photo | 动作类型 Operation | 颜色 Color | 触头开关类型 Module Type | 触头数量 Contacts | 成套订货号码 Order Number(Complete) | 单一头部订货号码 Order Number(Single) | 最小起订量 M.O.Q |
|-------------------------|---|---------------------------------------|-----------------------|------------------|----------------------------------|----------------------------------|----------------|
| | ①表示头部动作类型 Operation Type A: B: C: D: E: F: | ②表示颜色代码 10 20 30 40 60 | 蠕动型: R Squirm: R | 10 | TS6510-1A①②-R10 | TS6010-1A①①0 | 1 |
| | | | | 01 | TS6510-1A①②-R01 | | |
| | | | | 11 | TS6510-1A①②-R11 | | |
| | | | | 20 | TS6510-1A①②-R20 | | |
| | | | | 02 | TS6510-1A①②-R02 | | |
| | | | | 21 | TS6510-1A①②-R21 | | |
| | | | 12 | TS6510-1A①②-R12 | | | |
| | | | 30 | TS6510-1A①②-R30 | | | |
| | | | 03 | TS6510-1A①②-R03 | | | |
| | | | 11 | TS6510-1A①②-S11 | | | |
| | | | 22 | TS6510-1A①②-S22 | | | |
| | | | 33 | TS6510-1A①②-S33 | | | |
| | ①表示头部动作类型 Operation Type A: B: C: D: E: F: | ②表示颜色代码 10 20 30 40 60 | 蠕动型: R Squirm: R | 10 | TS6510-1B①②-R10 | TS6010-1B①①0 | 1 |
| | | | | 01 | TS6510-1B①②-R01 | | |
| | | | | 11 | TS6510-1B①②-R11 | | |
| | | | | 20 | TS6510-1B①②-R20 | | |
| | | | | 02 | TS6510-1B①②-R02 | | |
| | | | | 21 | TS6510-1B①②-R21 | | |
| | | | 12 | TS6510-1B①②-R12 | | | |
| | | | 30 | TS6510-1B①②-R30 | | | |
| | | | 03 | TS6510-1B①②-R03 | | | |
| | | | 11 | TS6510-1B①②-S11 | | | |
| | | | 22 | TS6510-1B①②-S22 | | | |
| | | | 33 | TS6510-1B①②-S33 | | | |
| | ①表示头部动作类型 Operation Type A: B: C: D: E: F: | ②表示颜色代码 10 20 30 40 60 | 蠕动型: R Squirm: R | 10 | TS6510-1C①②-R10 | TS6010-1C①①0 | 1 |
| | | | | 01 | TS6510-1C①②-R01 | | |
| | | | | 11 | TS6510-1C①②-R11 | | |
| | | | | 20 | TS6510-1C①②-R20 | | |
| | | | | 02 | TS6510-1C①②-R02 | | |
| | | | | 21 | TS6510-1C①②-R21 | | |
| | | | 12 | TS6510-1C①②-R12 | | | |
| | | | 30 | TS6510-1C①②-R30 | | | |
| | | | 03 | TS6510-1C①②-R03 | | | |
| | | | 11 | TS6510-1C①②-S11 | | | |
| | | | 22 | TS6510-1C①②-S22 | | | |
| | | | 33 | TS6510-1C①②-S33 | | | |

照明旋钮 塑料型 Illuminated Selector Switch Plastic

| 名称和外观 Name and Photo | 动作类型 Operation | 颜色 Color | 发光模块类型 Light Module Type | 触头开关类型 Module Type | 触头数量 Contacts | 成套订货号码 Order Number(Complete) | 单一头部订货号码 Order Number(Single) | 最小起订量 M.O.Q | | | | | |
|-------------------------|---|---------------------------------------|---|-----------------------|---|---------------------------------------|---|---------------------|---------------------|-----------------|-----------------|--------------|---|
| | ①表示头部动作类型 Operation Type A: B: C: D: E: F: | ②表示颜色代码 10 20 30 40 50 | ③表示LED发光模块电压类型 Voltage Code of LED module 1-AC/DC 6V 2-AC/DC 12V 3-AC/DC 24V 4-AC/DC 36V 5-AC/DC 48V 6-AC/DC 110V 7-AC 220V 8-DC 220V 9-AC 380V | 蠕动型: R Squirm: R | 10 | TS651③-1A①②-R10 | TS6011-1A①①0 | 1 | | | | | |
| | | | | | 01 | TS651③-1A①②-R01 | | | | | | | |
| | | | | | 11 | TS651③-1A①②-R11 | | | | | | | |
| | | | | | 20 | TS651③-1A①②-R20 | | | | | | | |
| | | | | | 02 | TS651③-1A①②-R02 | | | | | | | |
| | | | | | 21 | TS651③-1A①②-R21 | | | | | | | |
| | | | | 11 | TS651③-1A①②-S11 | | | | | | | | |
| | | | | 22 | TS651③-1A①②-S22 | | | | | | | | |
| | | | | | ①表示头部动作类型 Operation Type A: B: C: D: E: F: | ②表示颜色代码 10 20 30 40 50 | ③表示LED发光模块电压类型 Voltage Code of LED module 1-AC/DC 6V 2-AC/DC 12V 3-AC/DC 24V 4-AC/DC 36V 5-AC/DC 48V 6-AC/DC 110V 7-AC 220V 8-DC 220V 9-AC 380V | | 蠕动型: R Squirm: R | 10 | TS651③-1B①②-R10 | TS6011-1B①①0 | 1 |
| | | | | | | | | | | 01 | TS651③-1B①②-R01 | | |
| | | | | | | | | | | 11 | TS651③-1B①②-R11 | | |
| | | | | | | | | | | 20 | TS651③-1B①②-R20 | | |
| 02 | TS651③-1B①②-R02 | | | | | | | | | | | | |
| 21 | TS651③-1B①②-R21 | | | | | | | | | | | | |
| 11 | TS651③-1B①②-S11 | | | | | | | | | | | | |
| 22 | TS651③-1B①②-S22 | | | | | | | | | | | | |
| | ①表示头部动作类型 Operation Type A: B: C: D: E: F: | ②表示颜色代码 10 20 30 40 50 | ③表示LED发光模块电压类型 Voltage Code of LED module 1-AC/DC 6V 2-AC/DC 12V 3-AC/DC 24V 4-AC/DC 36V 5-AC/DC 48V 6-AC/DC 110V 7-AC 220V 8-DC 220V 9-AC 380V | | | | | 蠕动型: R Squirm: R | 10 | TS651③-1C①②-R10 | TS6011-1C①①0 | 1 | |
| | | | | | | | | | 01 | TS651③-1C①②-R01 | | | |
| | | | | | | | | | 11 | TS651③-1C①②-R11 | | | |
| | | | | | | | | | 20 | TS651③-1C①②-R20 | | | |
| | | | | 02 | TS651③-1C①②-R02 | | | | | | | | |
| | | | | 21 | TS651③-1C①②-R21 | | | | | | | | |
| | | | | 11 | TS651③-1C①②-S11 | | | | | | | | |
| | | | | 22 | TS651③-1C①②-S22 | | | | | | | | |

附件参见第48页 Accessory info: page 48



(2)旋钮动作类型代码说明 Selector Switch Operation Type

- A: 2位置右自复/2 Pos. Right automatic self-reset;
- B: 2位置定位/2 Pos. Latch;
- C: 3位置左右自复/3 Pos. Left and Right automatic self-reset;
- D: 3位置左复位/3 Pos. Left automatic self-reset;
- E: 3位置右复位/3 Pos. Right automatic self-reset;
- F: 3位置左右定位/3 Pos. Latch;

(3)旋钮颜色代码说明(成套)

- 1)旋钮: 颜色代码②表示旋钮手柄颜色;
- 2)照明旋钮: 颜色代码②表示配套发光模块LED灯颜色, 旋钮手柄颜色默认为“黑色”;
- 注: 若照明旋钮需要其他颜色的手柄, 操作头部和发光模块订货号需分开下单;
- (3)Illuminated Selector Switch Operation Type (Complete)

1) Selector Switch: Color code of the Handle colors,

2) Illuminated Selector Switch: Color code of the mating LED light module, the handle color is black by default;

Remark: If the handle of Illuminated Selector Switch want other colors, Need separate orders. (Single) Color code of handle;

(4)□□表示常开常闭的触头数: 10(一常开)、01(一常闭)、11(一常开一常闭)、20(二常开)、02(二常闭)依次类推。

(4)□□Means normally open module and normally close module number :10(1NO)、01(1NC)、11(1NO1NC)、20(2NO)、02(2NC).

订货号示例: 旋钮照明型订货号参考平钮示例;

(单一) 旋钮 塑料 短柄 圆形 2位置右自复 发光 红色, 对应的订货号码为“TS6011-1AA10”

(成套) 成套 旋钮 塑料 短柄 圆形 2位置右自复 发光, AC/DC12V 红色 快动型开关模块 1NO1NC, 对应的订货号码为“TS6512-1AA10-S11”

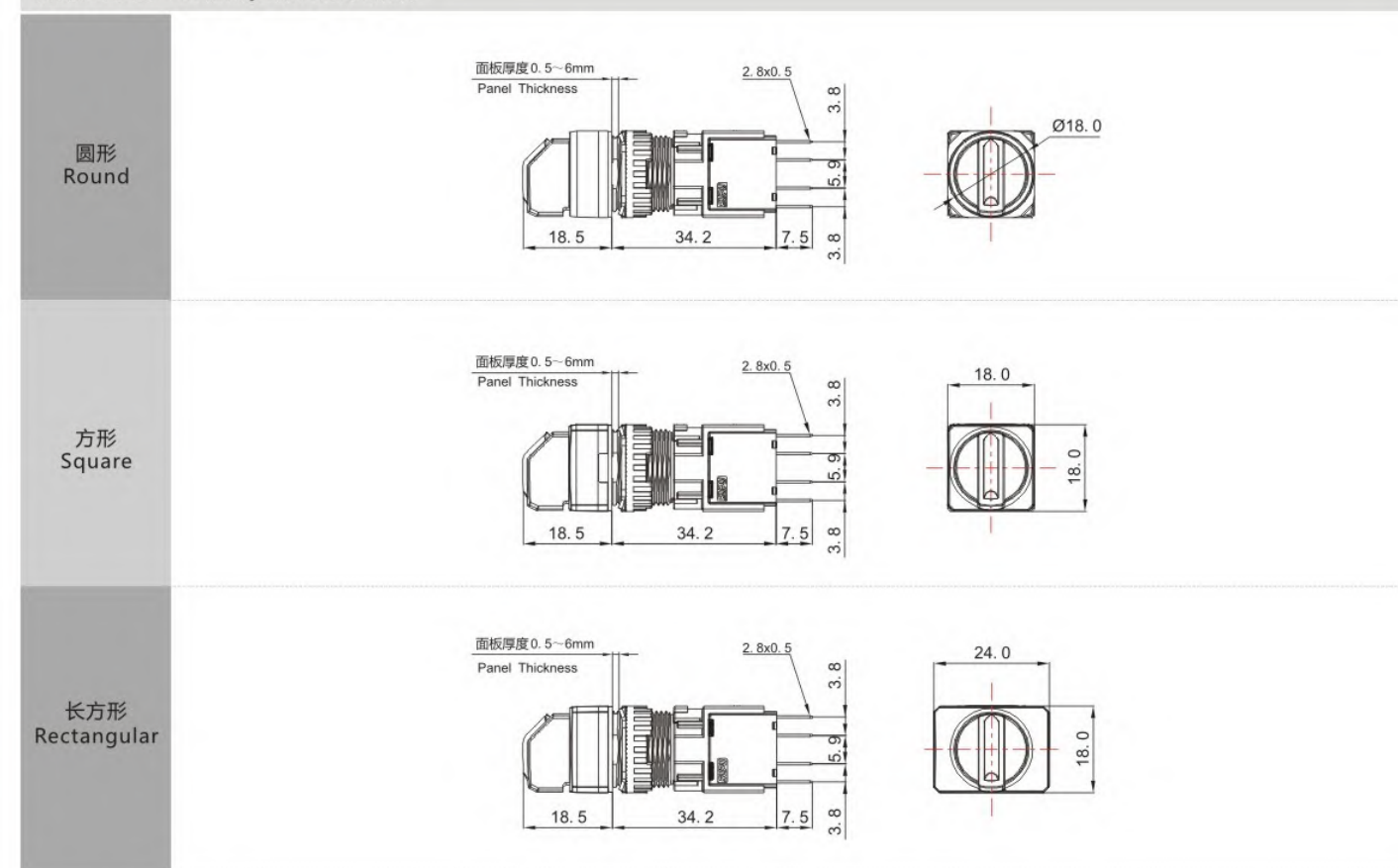
Order No.Sample:

Illuminated Selector Switch order no. samples refer to Push Button Series; Illuminated Selector Switch order no. samples see following;




(Single) Illuminated Selector Switch Recessed Metal Front Ring Short Handle 2 Pos. Right automatic self-reset Red, Order Number is “TS6011-1AA10”,

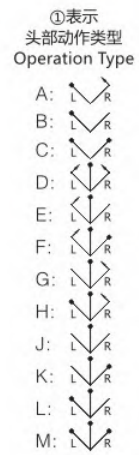
(Complete) Illuminated Selector Switch Plastic Short Handle 2 Pos. Right automatic self-reset, Momentary 1NO 1NC, AC/DC 12V Red, Order Number is “TS6512-1AA10-S11”.

外形尺寸图 Boundary Dimension(mm)



钥匙钮 塑料型 Key Switch Plastic

| 名称和外观 Name and Photo | 动作类型 Operation | 颜色 Color | 触头开关类型 Module Type | 触头数量 Contacts | 成套订货号码 Order Number(Complete) | 单一头部订货号码 Order Number(Single) | 最小起订量 M.O.Q |
|---|------------------------|-------------|-----------------------|------------------|----------------------------------|----------------------------------|----------------|
|  | 转动型: R Squirm: R | | | 10 | TS6510-2A①60-R□□ | TS6010-2A①60 | 1 |
| | | | | 01 | | | |
| | | | | 11 | | | |
| | | | | 20 | | | |
| | | | | 02 | | | |
| | | | | 21 | | | |
| | | | | 12 | | | |
| | | | | 30 | | | |
| | | | | 03 | | | |
| | | | | 11 | | | |
|  | 快动型: S Momentary: S | | | 11 | TS6510-2A①60-S□□ | TS6010-2A①60 | 1 |
| | | | | 22 | | | |
| | | | | 33 | | | |
|  | 转动型: R Squirm: R | ● | | 10 | TS6510-2B①60-R□□ | TS6010-2B①60 | 1 |
| | | | | 01 | | | |
| | | | | 11 | | | |
| | | | | 20 | | | |
| | | | | 02 | | | |
| | | | | 21 | | | |
| | | | | 12 | | | |
| | | | | 30 | | | |
| | | | | 03 | | | |
| | | | | 11 | | | |
|  | 快动型: S Momentary: S | | | 11 | TS6510-2B①60-S□□ | TS6010-2B①60 | 1 |
| | | | | 22 | | | |
| | | | | 33 | | | |
| | 转动型: R Squirm: R | | | 10 | TS6510-2C①60-R□□ | TS6010-2C①60 | 1 |
| | | | | 01 | | | |
| | | | | 11 | | | |
| | | | | 20 | | | |
| | | | | 02 | | | |
| | | | | 21 | | | |
| | | | | 12 | | | |
| | | | | 30 | | | |
| | | | | 03 | | | |
| | | | | 11 | | | |
| | 快动型: S Momentary: S | | | 11 | TS6510-2C①60-S□□ | TS6010-2C①60 | 1 |
| | | | | 22 | | | |
| | | | | 33 | | | |



(2)头部动作类型代码说明 Operation Type

A:2位置自复位, 钥匙左侧可拨/2 Pos. Right automatic self-reset, Pull out Key at Left Pos.;

B:2位置定位, 钥匙左侧可拨/2 Pos. Latct, Pull out Key at Left Pos.;

C:2位置定位, 钥匙左、右侧可拨/2 Pos. Latch, Pull out Key at Left or Right Pos.;

D:3位置左右自复位, 钥匙中间可拨/3 Pos. Left and Right automatic self-reset, Pull out Key at Center Pos.;

E:3位置左复位, 右定位, 钥匙中间可拨/3 Pos. Left automatic self-reset and Right Latch, Pull out Key at Center Pos.;

F:3位置左复位, 右定位, 钥匙中间、右侧可拨/3 Pos. Left automatic self-reset and Right Latch, Pull out Key at Center or Right Pos.;

G:3位置左定位, 右复位, 钥匙中间可拨/3 Pos. Left Latch and Right automatic self-reset, Pull out Key at Center Pos.;

H:3位置左定位, 右复位, 钥匙中间、左侧可拨/3 Pos. Left Latch and Right automatic self-reset, Pull out Key at Left and Center Pos.;

J:3位置定位, 钥匙中间可拨/3 Pos. Latch, Pull out Key at Center Pos.;

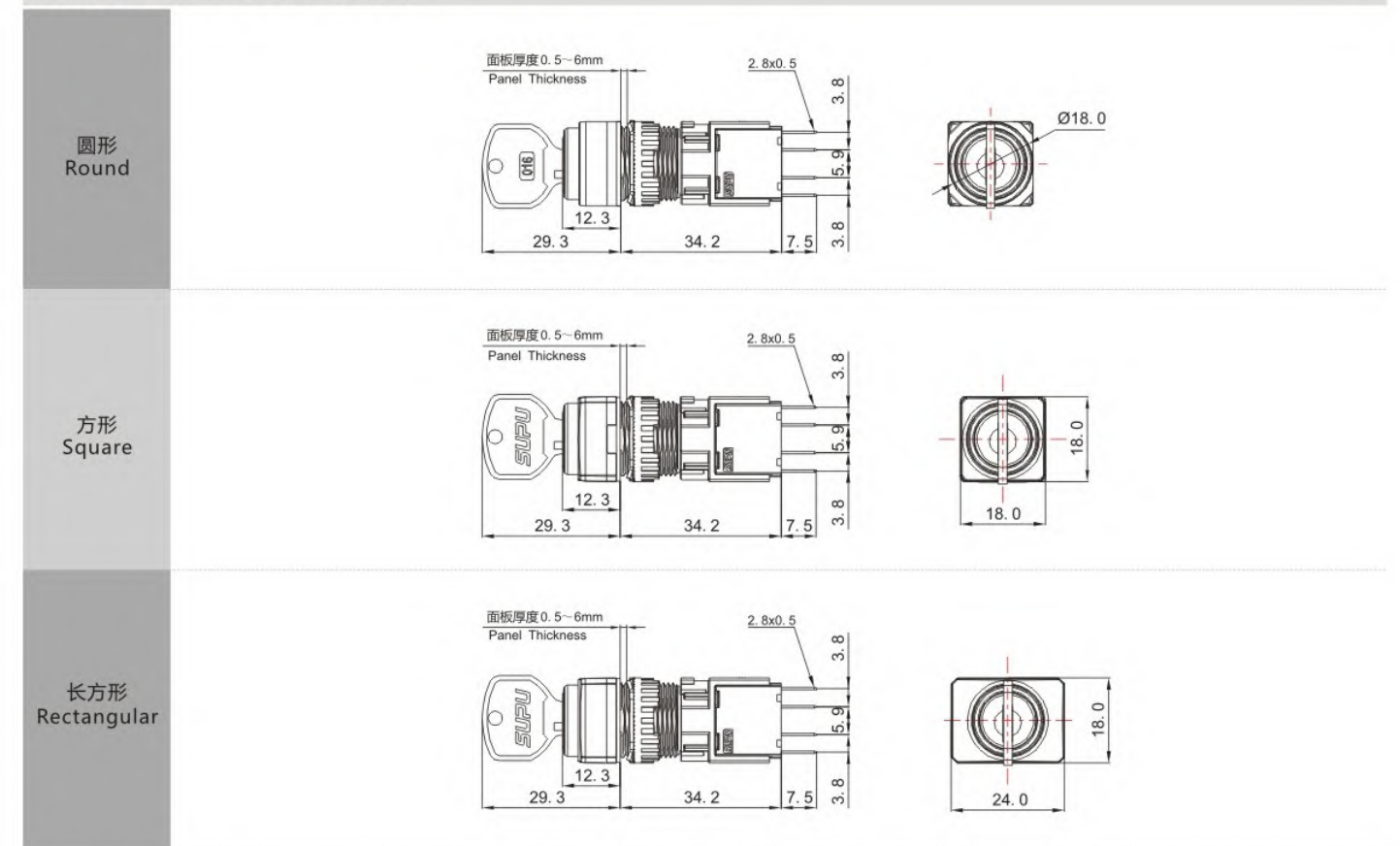
K:3位置定位, 钥匙中间、右侧可拨/3 Pos. Latch, Pull out Key at Center and Right Pos.;

L:3位置定位, 钥匙中间、左侧可拨/3 Pos. Latch, Pull out Key at Left and Center Pos.;

M:3位置定位, 钥匙中间、左侧、右侧可拨/3 Pos. Latch, Pull out Key at Left, Center and Right Pos.;

订货号示例 Order No.Sample
参考旋钮选型描述 Refer to Selector Switch Series

外形尺寸图 Boundary Dimension(mm)



急停按钮 塑料型 E-Stop PushButton Plastic

| 名称和外观 Name and Photo | 颜色 Color | 触头开关类型 Module Type | 触头数量 Contacts | 成套订货号码 Order Number(Complete) | 单一头部订货号码 Order Number(Single) | 最小起订量 M.O.Q | | |
|---|-------------|------------------------|------------------|----------------------------------|----------------------------------|------------------|--|--|
|  | ● | 蠕动型: R Squirm: R | 10 | TS6510-0GL10-R10 | TS6010-0GL10 | 1 | | |
| | | | 01 | TS6510-0GL10-R01 | | | | |
| | | | 11 | TS6510-0GL10-R11 | | | | |
| | | | 20 | TS6510-0GL10-R20 | | | | |
| | | | 02 | TS6510-0GL10-R02 | | | | |
| | | | 21 | TS6510-0GL10-R21 | | | | |
| | | | 12 | TS6510-0GL10-R12 | | | | |
| | | | 30 | TS6510-0GL10-R30 | | | | |
| | | | 03 | TS6510-0GL10-R03 | | | | |
| | | 快动型: S Momentary: S | ● | | 11 | TS6510-0GL10-S11 | | |
| | | | | | 22 | TS6510-0GL10-S22 | | |
| | | | | | 33 | TS6510-0GL10-S33 | | |
| | | | | | | | | |

照明急停按钮 塑料型 Illuminated E-Stop PushButton Plastic

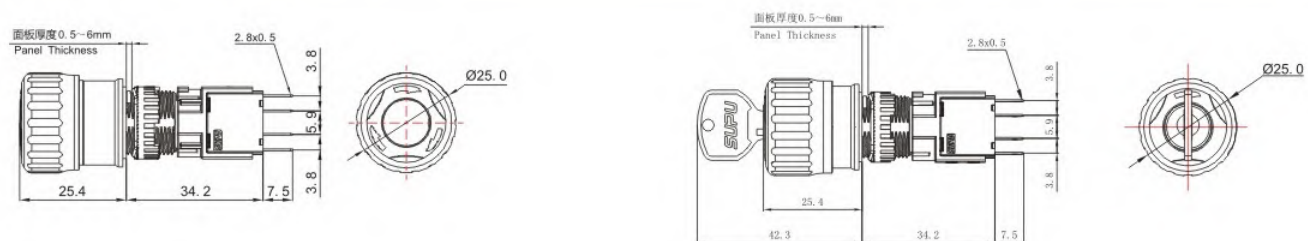
| 名称和外观 Name and Photo | 颜色 Color | 发光模块类型 Light Module Type | 触头开关类型 Module Type | 触头数量 Contacts | 成套订货号码 Order Number(Complete) | 单一头部订货号码 Order Number(Single) | 最小起订量 M.O.Q | | | |
|---|-------------|---|------------------------|------------------|----------------------------------|----------------------------------|----------------|------------------|--|--|
|  | ● | ①表示LED发光模块电压类型 Voltage Code of LED module 1-AC/DC 6V 2-AC/DC 12V 3-AC/DC 24V 4-AC/DC 36V 5-AC/DC 48V 6-AC/DC 110V 7-AC 220V 8-DC 220V 9-AC 380V | 蠕动型: R Squirm: R | 10 | TS651①-0GL10-R10 | TS6011-0GL10 | 1 | | | |
| | | | | 01 | TS651①-0GL10-R01 | | | | | |
| | | | | 11 | TS651①-0GL10-R11 | | | | | |
| | | | | 20 | TS651①-0GL10-R20 | | | | | |
| | | | | 02 | TS651①-0GL10-R02 | | | | | |
| | | | | 22 | TS651①-0GL10-S22 | | | | | |
| | | | 快动型: S Momentary: S | ● | | | 11 | TS651①-0GL10-S11 | | |
| | | | | | | | | | | |
| | | | | | | | | | | |

钥匙急停按钮 塑料型 Key E-Stop PushButton Plastic

| 名称和外观 Name and Photo | 颜色 Color | 触头开关类型 Module Type | 触头数量 Contacts | 成套订货号码 Order Number(Complete) | 单一头部订货号码 Order Number(Single) | 最小起订量 M.O.Q | | |
|---|-------------|------------------------|------------------|----------------------------------|----------------------------------|------------------|--|--|
|  | ● | 蠕动型: R Squirm: R | 10 | TS6510-0JL10-R10 | TS6010-0JL10 | 1 | | |
| | | | 01 | TS6510-0JL10-R01 | | | | |
| | | | 11 | TS6510-0JL10-R11 | | | | |
| | | | 20 | TS6510-0JL10-R20 | | | | |
| | | | 02 | TS6510-0JL10-R02 | | | | |
| | | | 21 | TS6510-0JL10-R21 | | | | |
| | | | 12 | TS6510-0JL10-R12 | | | | |
| | | | 30 | TS6510-0JL10-R30 | | | | |
| | | | 03 | TS6510-0JL10-R03 | | | | |
| | | 快动型: S Momentary: S | ● | | 11 | TS6510-0JL10-S11 | | |
| | | | | | 22 | TS6510-0JL10-S22 | | |
| | | | | | 33 | TS6510-0JL10-S33 | | |
| | | | | | | | | |

附件参见第46页 Accessory info: page 46

外形尺寸图 Boundary Dimension(mm)



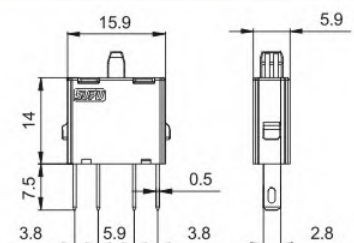
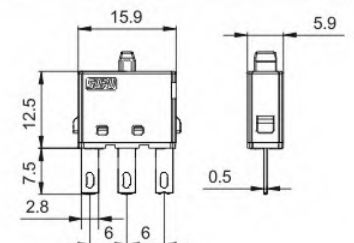
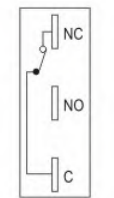
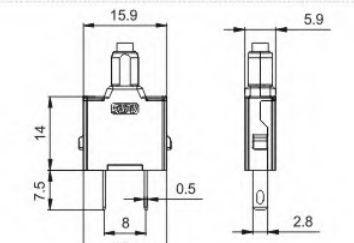
开关模块 Contact Module

| 名称和外观 Name and Photo | 开关类型 Operation Type | 订货号码 Order Number | 最小起订量 M.O.Q | 名称和外观 Name and Photo | 开关类型 Operation Type | 订货号码 Order Number | 最小起订量 M.O.Q |
|---|--|----------------------|----------------|---|------------------------|----------------------|----------------|
|  | 蠕动型 1常开 Squirm 1NO | TS6-R10 | 1 |  | 蠕动型 1常闭 Squirm 1NC | TS6-R01 | 1 |
|  | 快动型 1常开+1常闭 Momentary 1NO+1NC | TS6-S11 | 1 | | | | |



发光模块 Light Module

| 名称和外观 Name and Photo | 颜色 Color | 发光模块类型 Light Module Type | 成套订货号码 Order Number(Complete) | 最小起订量 M.O.Q |
|--|-------------|--|----------------------------------|----------------|
|  | ● | ①表示 LED发光模块电压类型 Voltage Code of LED module A-AC/DC 6V B-AC/DC 12V C-AC/DC 24V D-AC/DC 36V E-AC/DC 48V F-AC/DC 110V G-AC 220V H-DC 220V J-AC 380V | TS6101-1A①10 | 1 |
| | ● | | TS6101-1A①20 | |
| | ● | | TS6101-1A①30 | |
| | ● | | TS6101-1A①40 | |
| | ● | | TS6101-1A①50 | |
| | ● | | | |

外形尺寸图 Boundary Dimension(mm)

| 外形尺寸图 Boundary Dimension(mm) | 接点图 Contact Diagram |
|---|---|
| <p>开关模块 Contact Module</p> <p>蠕动型 Squirm</p>  | |
| <p>开关模块 Contact Module</p> <p>快动型 Momentary</p>  |  <p>一常开一常闭 1NO+1NC</p> |
| <p>发光模块 Light Module</p>  | |

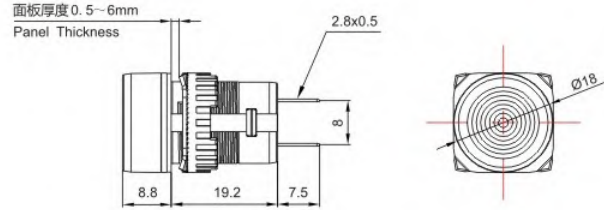
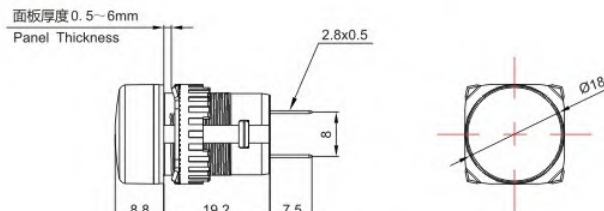
指示灯 Pilot Light

| 名称和外观 Name and Photo | 颜色 Color | 电压类别 Voltage Type | 订货号码 Order Number | 最小起订量 M.O.Q |
|--|-------------|--|----------------------|----------------|
|  F1型 | ● | ①表示LED发光 模块电压类型 Voltage Code of LED module A-AC/DC 6V B-AC/DC 12V C-AC/DC 24V D-AC/DC 36V E-AC/DC 48V F-AC/DC 110V G-AC 220V H-DC 220V J-AC 380V | TS6011-3A①10 | 1 |
| | ● | | TS6011-3A①20 | |
| | ● | | TS6011-3A①30 | |
| | ● | | TS6011-3A①40 | |
| | ④ | | TS6011-3A①70 | |
|  F2型 | ● | | TS6011-3B①10 | 1 |
| | ● | | TS6011-3B①20 | |
| | ● | | TS6011-3B①30 | |
| | ● | | TS6011-3B①40 | |
| | ④ | | TS6011-3B①70 | |

订货号示例 Order No.Sample :


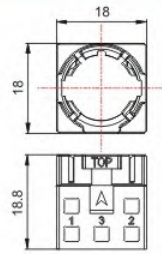

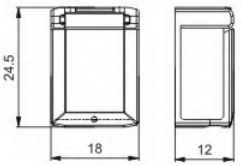

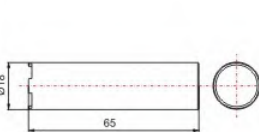

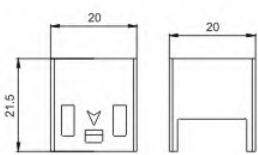

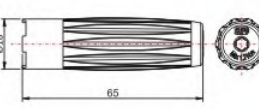

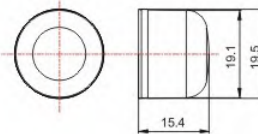

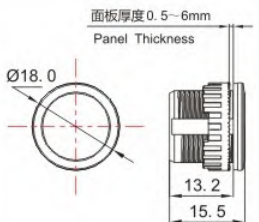

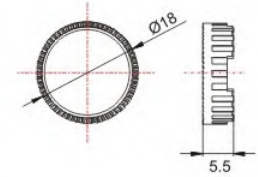

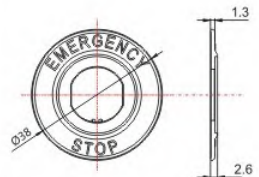


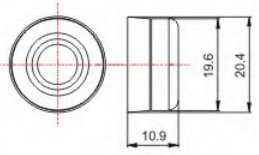

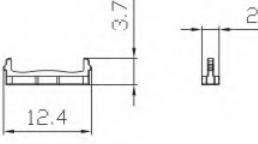
指示灯 F1型 蓝色 AC/DC 12V , 对应的订货号码为 "TS6011-3AB40" ;
Pilot F1 Blue AC/DC 12V, Order Number is "TS6011-3AB40".

外形尺寸图 Boundary Dimension(mm)

| | |
|----|--|
| F1 |  <p>面板厚度 0.5~6mm Panel Thickness</p> <p>2.8x0.5</p> <p>8.8 19.2 7.5</p> <p>Ø18</p> |
| F2 |  <p>面板厚度 0.5~6mm Panel Thickness</p> <p>2.8x0.5</p> <p>8.8 19.2 7.5</p> <p>Ø18</p> |

附件参见第48页 Accessory info: page 48

附件 Accessory



| 名称和外观 Name and Photo | 订货号码 Order Number | 最小起订量 M.O.Q | 外形尺寸图 Boundary Dimension | 名称和外观 Name and Photo | 订货号码 Order Number | 最小起订量 M.O.Q | 外形尺寸图 Boundary Dimension |
|---|----------------------|----------------|--|--|----------------------|----------------|---|
|  中座 Holder | TS690A | 1 |  |  保护罩 (圆形、方形平钮) Protective Cap (Round_PSquare_P) | TS690F | 1 |  |
|  金属套筒扳手 Metal Socket spanner | TS690M | 1 |  |  保护罩(模块) Protective Cap | TS690G | 1 |  |
|  套筒扳手 Socket spanner | TS690B | 1 |  |  密封罩 (高位平钮) Sealeable Cap for (Push Button_Extended) | TS690H | 1 |  |
|  面板塞 Blanking Plug | TS690C | 1 |  <p>面板厚度 0.5~6mm Panel Thickness</p> <p>Ø18.0</p> <p>13.2</p> <p>15.5</p> |  金属螺母 Metal Nut | TS690N | 1 |  |
|  急停按钮警告圈 E-Stop-Label | TS690D | 1 |  <p>EMERGENCY</p> <p>STOP</p> <p>Ø38</p> <p>1.3</p> <p>2.6</p> |  快速插头 (2.8x0.5) Stab Connector (Insulated) (2.8x0.5) | TS690P | 1 | |
|  密封罩 (平钮) Sealeable Cap for Push Button | TS690E | 1 |  |  转换件 Lever | TS690L | 1 |  |

标签印字 Label Printing

| 名称和外观 Name and Photo | 印字描述 Printing Description | 订货号码 Order Number | 最小起订量 M.O.Q | 外形尺寸图 Boundary Dimension |
|---|------------------------------|----------------------|----------------|---|
|  <p>标签架带标签牌 Label Plate 8mmx16mm 标签牌激光印字：白底黑字 Laser Printing: White Board, Black Words</p> | 空白 | TS690J-0AA00 | 1 |  |
| | 停止 启动 | TS690J-0AB10 | | |
| | 分闸 合闸 | TS690J-0AC10 | | |
| | 自动 手动 | TS690J-0AD10 | | |
| | 关闭 打开 | TS690J-0AE10 | | |
| | 关 开 | TS690J-0AF10 | | |
| | 检验 复位 | TS690J-0AG10 | | |
| | OFF-ON | TS690J-0AH20 | | |
| | STOP-START | TS690J-0AJ20 | | |
| | AUTO-HAND | TS690J-0AK20 | | |
| | O-I | TS690J-0AL30 | | |
| | I-II | TS690J-0AM30 | | |
| | I-O-II | TS690J-0AN30 | | |
| | 客户自定义 Customerized | TS690J-0AP90 | | |

注：可根据客户印字方向要求打印 Can print according to the customer's requirement

平钮及指示灯印字 PB & PL Printing

| 名称和外观 Name and Photo | 印字描述 Printing Description | 说明 Comment | 印字编号(*) Printing Number |
|--|---------------------------------|---|----------------------------|
|  <p>指示灯灯罩 Pilot light</p> | 启动 | | P01 |
| | 停止 | | P02 |
| | 上升 | | P03 |
| | 下降 | | P04 |
| | 开 | | P05 |
| | 关 | | P06 |
| | 试验 | | P07 |
| | 电源 | | P08 |
| | START | | P21 |
| | STOP | | P22 |
| | UP | | P23 |
| | DOWN | | P24 |
| | ON | | P25 |
| | OFF | | P26 |
|  <p>照明平钮 Illuminated PushButton</p> | RESET | | P27 |
| | TEST | | P28 |
| | MANUAL | | P29 |
| | AUTO | | P30 |
| | O | | P31 |
| | I | | P32 |
| | II | | P33 |
| | III | | P34 |
| | — | *ON*(power) / 5007 IEC60417 | P51 |
| | ○ | *OFF*(power) / 5008 IEC60417 | P52 |
| | ⊕ | *ON*/"OFF"(push-push) / 5010 IEC60417 | P53 |
| | ⊖ | *ON*/"OFF"(push button) / 5011 IEC60417 | P54 |
| | 📢 | HORN / 5014 IEC60417 | P55 |
| | ↕ | Movement in one direction / 5022 IEC60417 | P56 |
| | 🔄 | Clockwise rotation / 0004 ISO7000 | P57 |
| | 🔄 | Counterclockwise rotation / | P58 |
| | 🛑 | Brake on / 0020 ISO7000 | P59 |
| | 🛑 | Brake off / 0021 ISO7000 | P60 |
| | 🌬️ | Blowing / 0032 ISO7000 | P61 |
| | 🌬️ | Suction / 0033 ISO7000 | P62 |
| 👤 | Manual control / 0096 ISO7000 | P63 | |
| 👤 | Pump / 0134 ISO7000 | P64 | |
| 👤 | Centrifugal pump / 0135 ISO7000 | P65 | |
| 👤 | Coolant pump / 0355 ISO7000 | P66 | |
| ⬆️ | 上行方向按钮 / Upward | P67 | |
| ⬇️ | 下行方向按钮 / Downward | P68 | |
| 🏃 | 运行按钮 / Run | P69 | |
| ⚠️ | 报警按钮 / Alarm | P70 | |
| 客户自定义 Customerized | | P90 | |

(1)照明平钮及指示灯印字编码共享，客户订购按钮或指示灯时，将该符号对应的编号附在产品订货号后即可，使用“/”作为分隔符。

示例：照明平钮 塑料 平头 瞬动 发光 红 “TS6012-0AM10”；若需指定其符号片印字“START”，则对应的订货号书写为“TS6012-0AM10/P21”。

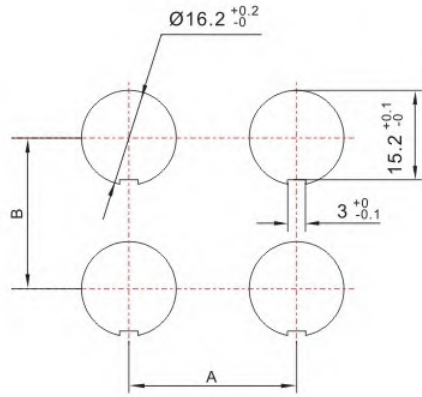
Illuminated Push Button and pilot Light sharing the Printing Number, Customer should add the slash mark"/"behind of the product order number, then write the relevant printing number. eg: Illuminated Push Button Flush Momentary Red plastic, it's order number should be "TS6012-0AM10"; When you need the printing "START", the relevant order number should be "TS6012-0AM10/P21".

(2)印字效果说明 Printing Effect Remarks:

红底、绿底、蓝底、黑底默认印白色字符； The Red, Green, Blue, Black products default color is White.

白底、黄底默认印黑色字符； The White, Yellow products default color is Black.

安装尺寸图 Panel Mounting Dimension(mm)



| 元器件/Product | A (mm) | B(mm) |
|--|--------|-------|
| 圆形/方形头部、指示灯 Round /Square、Pilot Light | ≥18 | ≥22 |
| 长方形头部 Rectangular | ≥24 | ≥22 |
| 急停按钮 E-Stop | ≥25 | ≥25 |

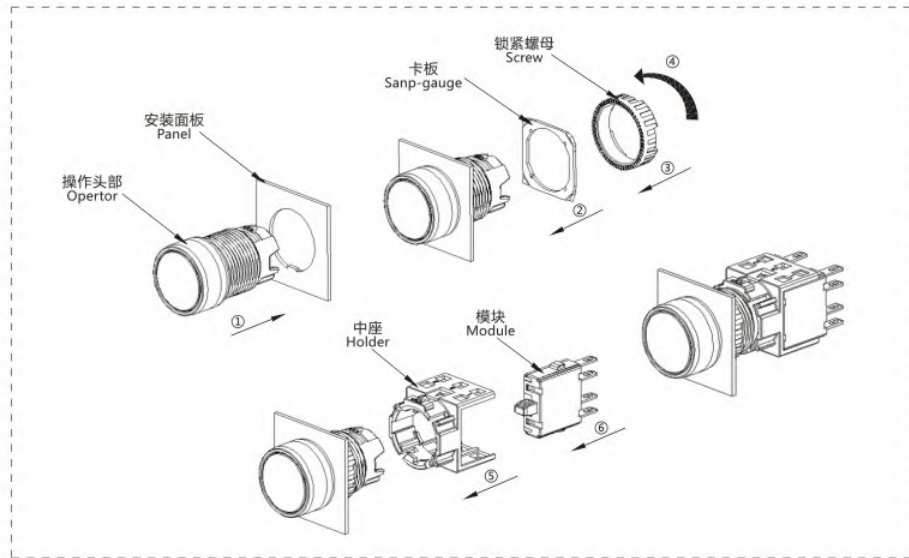
备注：客户在使用配套附件时，应按实际间距开孔，以免产品干涉。
Remarks: when customer mounting the actuators together with relevant accessories, please pay attention to the opening space in order to avoid interference.

安全注意事项 Safety Issue

- ※ 在进行安装、拆卸、配线作业以及维护检查之前，请务必先切断电源，以免引起触电及火灾。
To avoid the unexpected electric shock and fire hazard, power off is must before mounting, disassembly and maintenance.
- ※ 接线时请使用符合电压及电流要求的电线。
Wire should conform to requirement.

使用说明 Operation Manual

产品安装 Product Mounting

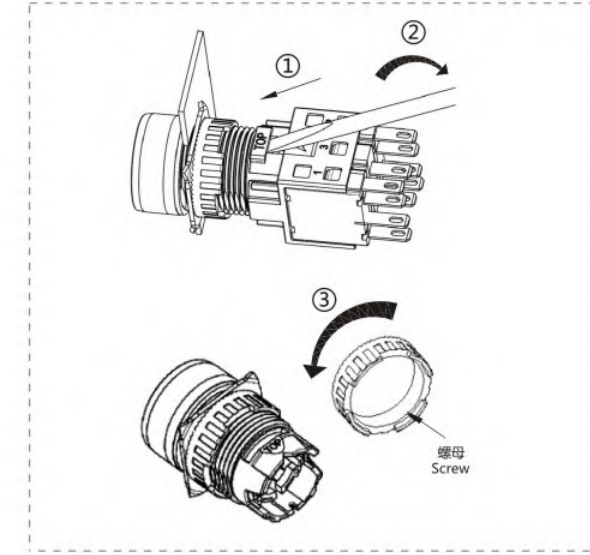


- ※ 将操作头部上的TOP标记朝上沿①方向插入到安装面;
Insert the operator into the mounting panel and make sure the "TOP" mark upward;
- ※ 将卡板沿方向②安装到操作头部上;
Install the snap-gauge to the operator;
- ※ 将锁紧螺母沿③方向安装到操作头部中;
Install the screw into the operator;
- ※ 同时④旋转方向锁紧固定(备注：安装扭矩不能超过1.2N.m);
Tighten the screw on the operator (tightening torque cannot exceed 1.2N.m);
- ※ 将中座上的TOP标记与操作头部上的TOP标记对齐后沿⑤方向安装到操作头部上，听到“咔嗒”声即表示已扣住;
Mount the holder and the operator and make sure to align the "TOP" mark, and hear the "click" sounds;
- ※ 将模块沿⑥方向插入到中座上，听到“咔嗒”声即表示已扣住。
Insert the module into the holder and hear the "click" sounds.

注意 Attention

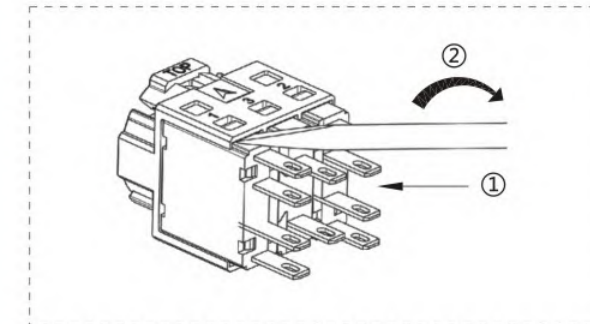
- ※ 在将按钮安装到面板上时，请使用安装手柄拧紧锁紧螺母。切勿使用钳子等非专业工具过度拧紧以免损坏锁紧螺母。
During the mounting process, mounting socket is recommended. Other tools are forbidden to use.
- ※ 安装时确保操作头部上TOP标记与中座模块组上的TOP标记在同一直线。
Ensure the "TOP" mark, fixing groove and U lock in the same direction.

产品拆卸 Product Disassembly



- ※ 将螺丝刀沿着箭头①方向插入到中座槽中。
Insert the screwdriver in the direction of arrow ① into the groove of the holder.
- ※ 沿箭头②方向法翻转模块组将其从操作头部中拉出。
Push down along the arrow ②, turn over the modules to separate from the operator.
- ※ 沿箭头③方向将锁紧螺母从按钮上拧出。
Unlock the screw from the push button in the direction of arrow ③.

模块拆解及安装 Module mounting and dismounting



- ※ 将螺丝刀沿箭头①方向插到中座的滑槽中。
Insert the screwdriver in the direction of arrow ① into groove of the holder.
- ※ 将一字螺丝刀沿箭头②方向下翻转，使模块的卡扣与中座的卡槽分离，用手将模块取出。
Press the slotted screwdriver down in the direction of arrow ② to separate the module from the groove of the holder and remove the module by hand.

注意事项 Cautions

- ※ 具有焊接和插拔式两种接线方式。
Two connection options. One is welding connecting, the other one is plug-in connecting.
- ※ 如采用插拔式接线，建议使用国际通用快速插头(2.8x0.5mm)连接，并套上热缩管。
When plug-in, we suggest using international standard instant plug-in (2.8*0.5mm) and coating by heat shrink tube.
- ※ 如采用焊接接线
Welding:
A: 手工焊 35W, 3秒以内;
Manhand welding, 35 W, less than 3 seconds;
B: 自动焊 250°C, 3秒以内;
Automatic welding, 250°C, less than 3 seconds;
C: 均必须用非腐蚀性松香液。
Both need none-corrosive rosin liquid.

TS6A特性说明 TS6A Products Character

▲防护等级高 High protection degree

TS6A金属按钮外壳采用不锈钢材料，强度高且外观美。防护等级IP67，内部密封圈采用液态硅胶材料设计，使用寿命长，弹性好，无需附加防护罩即可轻松实现防水、防尘，即便将按钮置于水下操作也无需担忧。TS6A metal push button housing apply the stainless steel raw material, high strength and exquisite appearance. The inner seal ring use liquid silicone material, long life cycle and good elasticity. It can easily reach IP67 without adding protective collar. No worry about putting the button in the water operation.

▲设计结构紧凑 Compacted design structure

开关采用一体式设计，目前市场上同类产品最低，保证了产品安装空间小型化的需求。Integrated space design, it is the most compacted products currently in the market, ensure the miniaturization demand for installation space.

▲触点组合多样性 Diversified contact combination

按钮触点有1NO、1NC、2NO、1NO1NC四种开关组合及1NO带灯和1NC带灯组合可供选择。Contact combination: 1NO、1NC、2NO、1NO1NC, and 1NO(with lighting)、1NC (with lighting)

编码规则

Code Rule

按钮/PushButton

TS6A 1 2 3 - 4 5 - 6 7 8 / 9

- 刻字符编号 Printing No.
- 表示常闭触头数 NC
- 表示常开触头数 NO
- 表示模块类型 Contact Module
蠕动型 Squirm: R
- 颜色代码 Color Code
10: 红 Red 20: 绿 Green 30: 黄 Yellow
40: 蓝 Blue 50: 白 White
70: 无色透明 Transparent 90: 本色 Natural Colour
- 按钮类型及动作功能
Pushbutton Type and Action Function
0AM /平钮 平头 圆形 瞬动 Pushbutton Flush Round Momentary
0AL /平钮 平头 圆形 自锁 Pushbutton Flush Round Latch
0BM /平钮 凸头 圆形 瞬动 Pushbutton Extended Round Momentary
0BL /平钮 凸头 圆形 自锁 Pushbutton Extended Round Latch
- 表示电压代码 Voltage Code
0: 不带灯 Without light 1: AC/DC 6V
2: AC/DC 12V 3: AC/DC 24V
4: AC/DC 36V 5: AC/DC 48V
6: AC/DC 110V 7: AC/DC 220V
- 0-非照明型 Non-illuminated
1-照明型 Illuminated
2-照明/非照明兼具 Illuminated /Non-illuminated
- 表示材料类型 Material Type
1-不锈钢 Stainless Steel
2-铜 Copper
- TS6A系列 TS6A Series by Set

TS6A天枢系列16mm金属按钮技术参数 TS6A Series Technical Data



| | |
|--|--|
| 技术标准 Standard | GB/T14048.5 IEC60947-5-1 |
| 认证 ^① Approval | CCC CE |
| 储存及运输环境温度 Storage Ambient Temperature | -45°C ~ 80°C |
| 使用环境温度 Usage Ambient Temperature | -25°C ~ 55°C |
| 防护等级 Protection Level | IP67 |
| 绝缘电阻 Insulation Resistance | ≥100MΩ |
| 接触电阻 Contact Resistance | ≤50mΩ |
| 额定冲击耐受电压 Rated impulse withstand voltage | 2500V |
| 工频耐压(Uimp) Power Frequency Withstand Voltage | 1500V•1min |
| 耐振动 Vibration Resistance | 10...500Hz 5g |
| 绝缘耐压(Ui) Insulation Voltage | 300V |
| 约定发热电流(Ith) Conventional Thermal Current | 蠕动型(Squirm): 5A(AC) |
| 机械寿命(次) Mechanical Endurance(Cycles) | 瞬动型(Momentary): 1,000,000 锁定型(Latch): 300,000 |
| 电气寿命(次) Electrical Endurance(Cycles) | AC-15 10万次 DC-13 5万次 |
| 触头额定容量 Contact Rated Capacity | AC-15 220V/1.5A 110V/3A DC-13 220V/0.1A 110V/0.22A |
| 弱电开关的专用触点特性 Specifications of special contact blocks | Pmax:12 VA Imax:1A Umax:24V |
| 触点材料 Contact Material | 银合金(AgNi)(标准触点) Silver alloy(AgNi) (standard contact) 镀金(AgNi/Au) (弱电系统) Gold flashed (AgNi/Au) (Low power switching) |
| 最小适用负载(参考值) Minimum Applicable load (reference value) | 5V AC/DC.1mA |
| 安装方式 Mounting Type | 螺母安装 Screw Mounting |
| 安装扭矩(Max) Installation Twisting | 1.2N.m |
| RoHS材料 RoHS Material | 是 Yes |
| 发光模块电压 Light Modules | AC/DC: 6V/12V/24V/36V/48V/110V/220V |
| LED连续工作寿命 MTBF | ≥50000小时/Hours |

(1)UL认证准备中 UL Certification is pending

(2)弱电系统建议采用镀金触点，请在订单中注明。





The weak electric system is recommended to use gold plated contacts, please note in the order.

平钮非照明型 PushButton

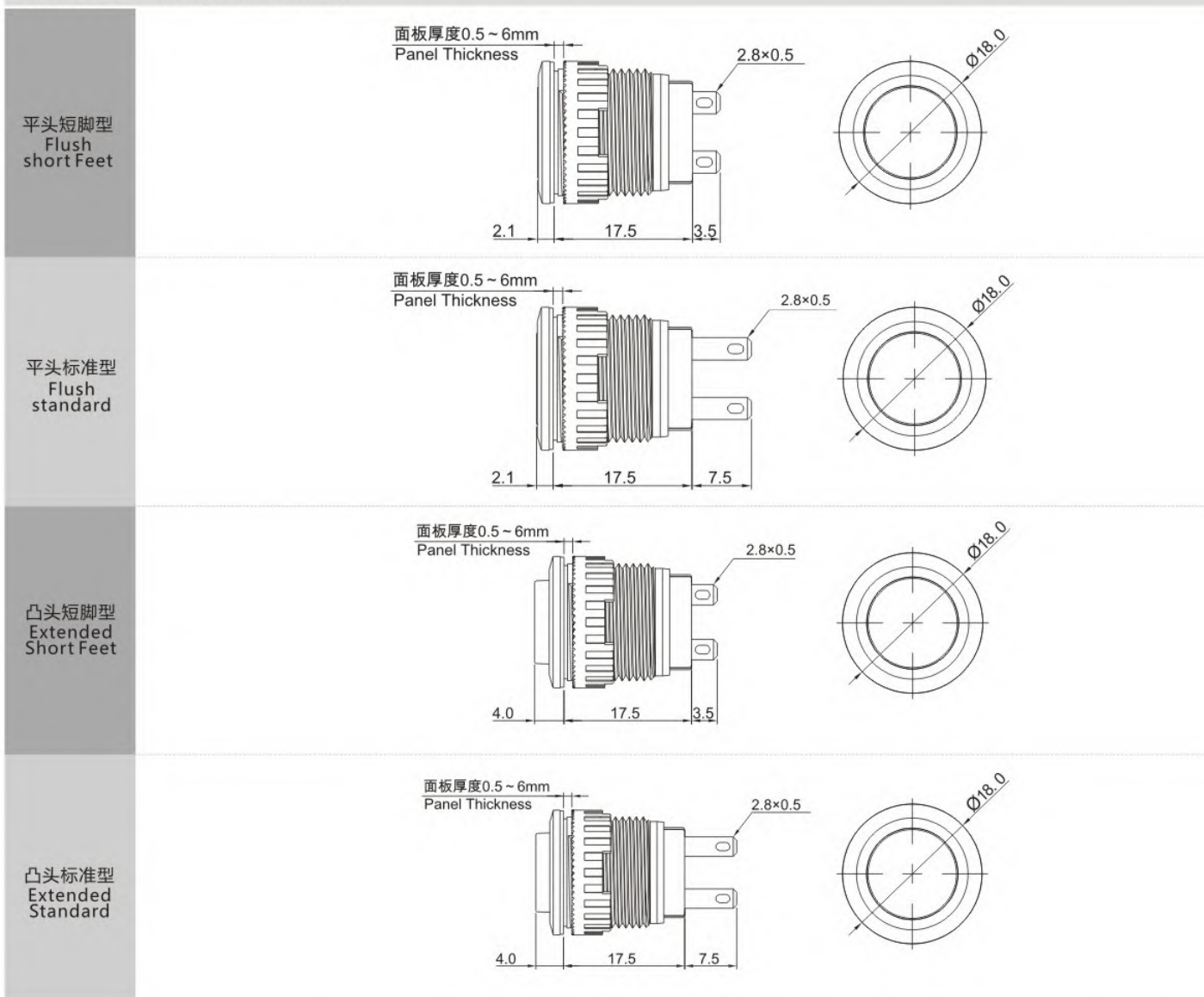
| 名称和外观 Name and Photo | 动作类型 Operation | 颜色代码 Color Code | 触头开关类型 Module Type | 触头数量 Contacts | 订货号码 (成套) Order Number(Complete) | 最小起订量 M.O.Q |
|---|-------------------|---|-----------------------|------------------|-------------------------------------|----------------|
|  | 瞬动型 Momentary | ①表示 颜色代码 90 | 蠕动型: R Squirm: R | 1NO | TS6A100-0AM90-R10 | 1 |
| | | | | 1NC | TS6A100-0AM90-R01 | |
| | | | | 2NO | TS6A100-0AM90-R20 | |
| | | | | 1NO1NC | TS6A100-0AM90-R11 | |
| | 自锁型 Latch | 90 | 蠕动型: R Squirm: R | 1NO | TS6A100-0AL90-R10 | 1 |
| | | | | 1NC | TS6A100-0AL90-R01 | |
|  | 瞬动型 Momentary | ①表示 颜色代码 90 | 蠕动型: R Squirm: R | 1NO | TS6A100-0BM90-R10 | 1 |
| | | | | 1NC | TS6A100-0BM90-R01 | |
| | | | | 2NO | TS6A100-0BM90-R20 | |
| | | | | 1NO1NC | TS6A100-0BM90-R11 | |
| | 自锁型 Latch | 90 | 蠕动型: R Squirm: R | 1NO | TS6A100-0BL90-R10 | 1 |
| | | | | 1NC | TS6A100-0BL90-R01 | |
|  | 瞬动型 Momentary | ①表示 颜色代码 10 20 30 40 50 | 蠕动型: R Squirm: R | 1NO | TS6A100-0AM①-R10/P01 | 1 |
| | | | | 1NC | TS6A100-0AM①-R01/P01 | |
| | | | | 2NO | TS6A100-0AM①-R20/P01 | |
| | | | | 1NO1NC | TS6A100-0AM①-R11/P01 | |
| | 自锁型 Latch | 50 | 蠕动型: R Squirm: R | 1NO | TS6A100-0AL①-R10/P01 | 1 |
| | | | | 1NC | TS6A100-0AL①-R01/P01 | |
|  | 瞬动型 Momentary | ①表示 颜色代码 10 20 30 40 50 | 蠕动型: R Squirm: R | 1NO | TS6A100-0AM①-R10/P02 | 1 |
| | | | | 1NC | TS6A100-0AM①-R01/P02 | |
| | | | | 2NO | TS6A100-0AM①-R20/P02 | |
| | | | | 1NO1NC | TS6A100-0AM①-R11/P02 | |
| | 自锁型 Latch | 50 | 蠕动型: R Squirm: R | 1NO | TS6A100-0AL①-R10/P02 | 1 |
| | | | | 1NC | TS6A100-0AL①-R01/P02 | |
|  | 瞬动型 Momentary | ①表示 颜色代码 10 20 30 40 50 | 蠕动型: R Squirm: R | 1NO | TS6A120-0AM①-R10 | 1 |
| | | | | 1NC | TS6A120-0AM①-R01 | |
| | | | | 2NO | TS6A120-0AM①-R20 | |
| | | | | 1NO1NC | TS6A120-0AM①-R11 | |
| | 自锁型 Latch | 50 | 蠕动型: R Squirm: R | 1NO | TS6A120-0AL①-R10 | 1 |
| | | | | 1NC | TS6A120-0AL①-R01 | |
|  | 瞬动型 Momentary | ①表示 颜色代码 10 20 30 40 50 | 蠕动型: R Squirm: R | 1NO | TS6A100-0BM①-R10/P02 | 1 |
| | | | | 1NC | TS6A100-0BM①-R01/P02 | |
| | | | | 2NO | TS6A100-0BM①-R20/P02 | |
| | | | | 1NO1NC | TS6A100-0BM①-R11/P02 | |
| | 自锁型 Latch | 50 | 蠕动型: R Squirm: R | 1NO | TS6A100-0BL①-R10/P02 | 1 |
| | | | | 1NC | TS6A100-0BL①-R01/P02 | |

•符号见附页字符表,也可根据客户要求定制Printing info: Pls see details on Page 55, we can also print according to customer's requirement.







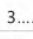

平钮照明型 Pushbutton Illuminated

| 名称和外观 Name and Photo | 动作类型 Operation | 颜色代码 Color Code | 发光模块类型 Light Module Type | 触头开关类型 Module Type | 触头数量 Contacts | 订货号码 (成套) Order Number(Complete) | 最小起订量 M.O.Q |
|---|-------------------|---|---|-----------------------|----------------------|-------------------------------------|----------------|
|  | 瞬动型 Momentary | ①表示 颜色代码 10 20 30 40 70 | ②表示LED发光 模块电压类型 Voltage Code of LED module 1-AC/DC 6V 2-AC/DC 12V 3-AC/DC 24V 4-AC/DC 36V 5-AC/DC 48V 6-AC/DC 110V 7-AC/DC 220V | 蠕动型: R Squirm: R | 1NO | TS6A11②-0AM①-R10/P01 | 1 |
| | | | | | 1NC | TS6A11②-0AM①-R01/P01 | |
| | | | | | 1NO | TS6A11②-0AL①-R10/P01 | |
| | | | | | 1NC | TS6A11②-0AL①-R01/P01 | |
| | 自锁型 Latch | 70 | 蠕动型: R Squirm: R | 1NO | TS6A11②-0AM①-R10/P02 | 1 | |
| | | | | 1NC | TS6A11②-0AM①-R01/P02 | | |
|  | 瞬动型 Momentary | ①表示 颜色代码 10 20 30 40 70 | ②表示LED发光 模块电压类型 Voltage Code of LED module 1-AC/DC 6V 2-AC/DC 12V 3-AC/DC 24V 4-AC/DC 36V 5-AC/DC 48V 6-AC/DC 110V 7-AC/DC 220V | 蠕动型: R Squirm: R | 1NO | TS6A11②-0AL①-R10/P02 | 1 |
| | | | | | 1NC | TS6A11②-0AL①-R01/P02 | |
| | | | | | 1NO | TS6A11②-0AM①-R10/P02 | |
| | | | | | 1NC | TS6A11②-0AM①-R01/P02 | |
| | 自锁型 Latch | 70 | 蠕动型: R Squirm: R | 1NO | TS6A11②-0AL①-R10/P02 | 1 | |
| | | | | 1NC | TS6A11②-0AL①-R01/P02 | | |
|  | 瞬动型 Momentary | ①表示 颜色代码 10 20 30 40 70 | ②表示LED发光 模块电压类型 Voltage Code of LED module 1-AC/DC 6V 2-AC/DC 12V 3-AC/DC 24V 4-AC/DC 36V 5-AC/DC 48V 6-AC/DC 110V 7-AC/DC 220V | 蠕动型: R Squirm: R | 1NO | TS6A11②-0BM①-R10/P02 | 1 |
| | | | | | 1NC | TS6A11②-0BM①-R01/P02 | |
| | | | | | 1NO | TS6A11②-0BL①-R10/P02 | |
| | | | | | 1NC | TS6A11②-0BL①-R01/P02 | |
| | 自锁型 Latch | 70 | 蠕动型: R Squirm: R | 1NO | TS6A12②-0AM①-R10 | 1 | |
| | | | | 1NC | TS6A12②-0AM①-R01 | | |
|  | 瞬动型 Momentary | ①表示 颜色代码 10 20 30 40 70 | ②表示LED发光 模块电压类型 Voltage Code of LED module 1-AC/DC 6V 2-AC/DC 12V 3-AC/DC 24V 4-AC/DC 36V 5-AC/DC 48V 6-AC/DC 110V 7-AC/DC 220V | 蠕动型: R Squirm: R | 1NO | TS6A12②-0AL①-R10 | 1 |
| | | | | | 1NC | TS6A12②-0AL①-R01 | |
| | | | | | 1NO | TS6A12②-0AM①-R10 | |
| | | | | | 1NC | TS6A12②-0AM①-R01 | |
| | 自锁型 Latch | 70 | 蠕动型: R Squirm: R | 1NO | TS6A12②-0AL①-R10 | 1 | |
| | | | | 1NC | TS6A12②-0AL①-R01 | | |

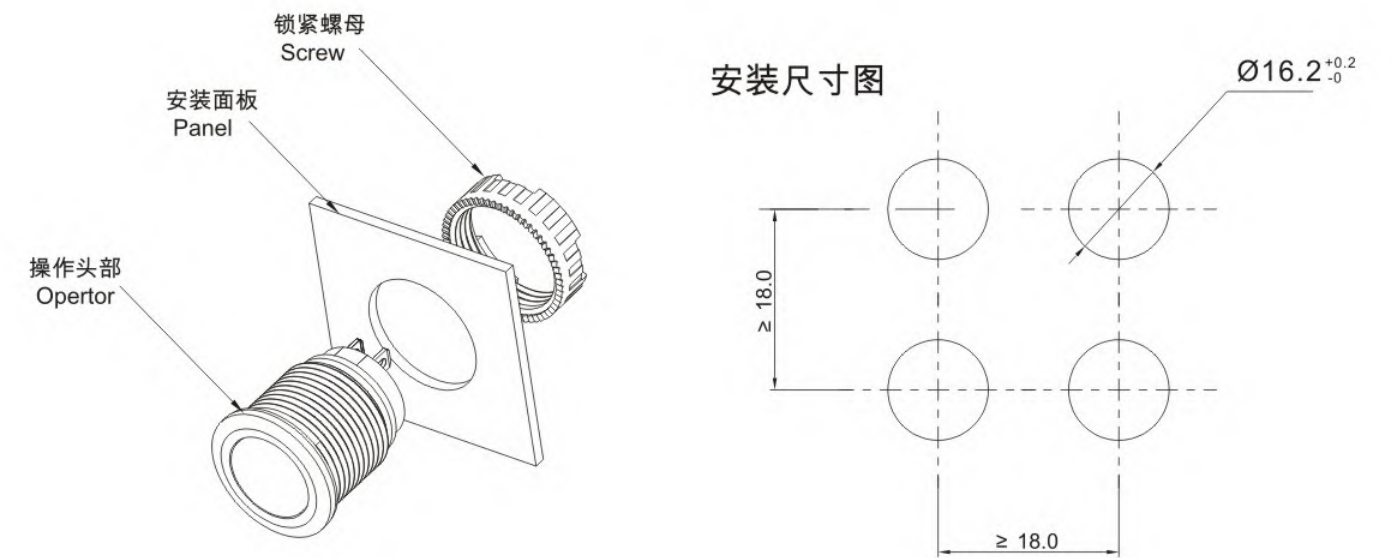
外形尺寸图 Boundary Dimension(mm)



平钮印字 PB Printing

| 名称和外观 Name and Photo | 符号描述 Printing Description | 说明 Comment | 符号编号(*) Printing Number |
|--|---|---------------|----------------------------|
|  P03 |  | | P01 |
| |  | | P02 |
| |  | | P03 |
| |  | | P04 |
| |  | | P05 |
| |  | | P06 |
|  P21 | 1, 2, 3.....9 | | P21, P22, P23.....P29 |
| | I, II, III.....XII | | P31, P32, P33.....P42 |
| | 客户自定义/Customized | | P90 |

安装尺寸图 Panel Mounting Dimension(mm)



注意事项 Cautions

- ※ 具有焊接和插拔式两种接线方式。
Two connection options. One is welding connecting, the other one is plug-in connecting.
- ※ 如采用插拔式接线，建议使用国际通用快速插头(2.8x0.5mm)连接，并套上热缩管。
When plug-in, we suggest using international standard instant plug-in (2.8*0.5mm) and coating by heat shrink tube.
- ※ 如采用焊接接线
Welding:
A: 手工焊 35W, 3秒以内;
Manhand welding, 35 W, less than 3 seconds;
B: 自动焊 250°C, 3秒以内;
Automatic welding, 250°C, less than 3 seconds;
C: 均必须用非腐蚀性松香液。
Both need none-corrosive rosin liquid.

TX1特性说明 TX1 characteristics description

1.防护等级高 High IP degree

TX1系列限位开关外壳采用高性能增强尼龙制成。防护等级IP65、IP67，可以在各种恶劣环境条件下正常使用。

The TX1 series limit switch housing is made of reinforced nylon with high performance. Protection level IP65, IP67, can be used in a variety of harsh environmental conditions.

2.直接断开操作功能 Directly disconnect operation function:

TX1系列限位开关常闭触点具有直接断开操作功能(符合IEC60947-5-1)，保证当开关被操到常闭触点断开位置时使得触点分断，进而使电路被肯定断开，防止故障发生。

The normally closed contact of TX1 series limit switch has the function of direct disconnection (in accordance with IEC60947-5-1), ensuring that the contact will be broken when the switch is operated to the disconnecting position, the circuit will be definitely disconnected to prevent failure.

3.寿命长，接触可靠 Long life and reliable contact

触点采用特殊压花工艺，触头材料采用银合金制成，还有镀金触点可供选择，使得触点接触更加可靠，机械寿命可达1000万次，电气寿命500,000次以上（AC250V电阻负载3A时）。

The contact is made of special embossing technology, the contact material is made of silver alloy, and there are also gold-plated contacts for special use, making the contact more reliable, mechanical life can reach to 10 million times and electrical life over 500,000 times (when AC250V resistor loads 3A).

4.触点组合多样性 Diverse Contact combination

触点模块包含带有1NC/1NO、2NC、2NO、1NC/2NO、2NC/1NO、3NO和3NC七种触点形式，还有MBB接点慢动型可供选择。

The contact module contains seven contact forms with 1NC/1NO, 2NC, 2NO, 1NC/2NO, 2NC/1NO, 3NO and 3NC, as well as the MBB squirm module to choose from.

5.灵活多变 Flexible Operation

所有操作头部可沿4个方向90°旋转；摇杆型头部，摇杆与转轴为齿状咬合，可以10度为等级进行角度调节。可满足客户在不同场合的使用需求。

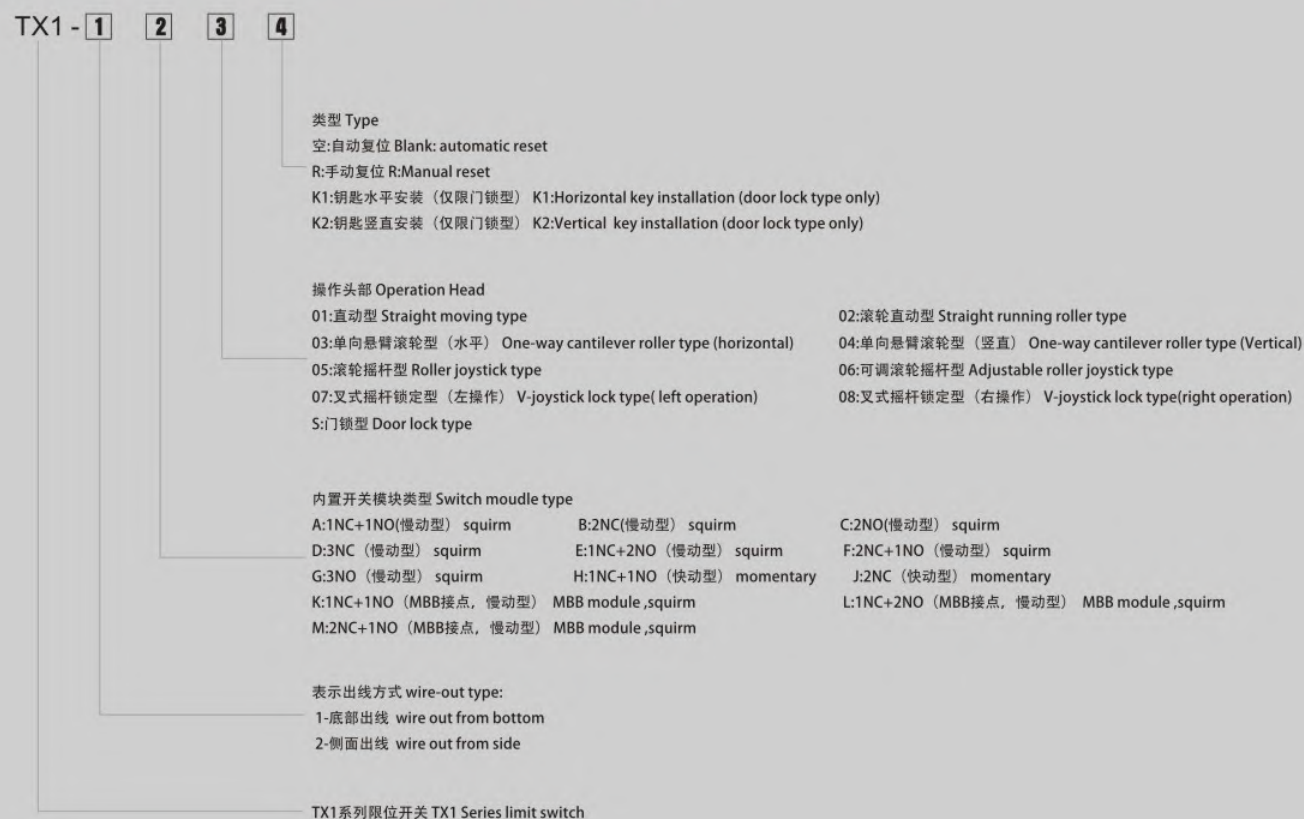
All operation heads can rotate 90° along 4 directions; Joystick head, joystick and rotating shaft are dentate occlusion, can be 10 degrees for the level of Angle adjustment. Can meet the needs of customers in different occasions.

6.安装方便 Easy installation

采用两个螺钉即可将TX1系列限位开关固定于机器设备上。

TX1 series limit switch can be fixed on the machine with two screws.

型号及含义 Code and Description



TX1天璇系列限位开关技术参数 TX1 limit switch technical parameters

| | |
|---|--|
| 技术标准 Standard | GB14048.5 IEC60947-5-1 EN50047 |
| 认证 Approval | |
| 储存及运输环境温度 Storage Ambient Temperature | -45°C ~ 80°C |
| 使用环境温度 Usage Ambient Temperature | -25°C ~ 55°C |
| 防护等级 Protection Level | IP65、IP67 |
| 绝缘电阻 Insulation Resistance | ≥100MΩ |
| 接触电阻 Contact Resistance | ≤50mΩ |
| 工频耐压(Uimp) Power Frequency Withstand Voltage | 2500V•1min |
| 抗冲击 Impact resistant | 11ms,50g,半波正弦 half sine wave |
| 耐振动 Vibration Resistance | 10...500Hz,25g, |
| 绝缘耐压(Ui) Insulation Voltage | 500V |
| 约定发热电流(Ith) Conventional Thermal Current | 10A |
| 机械寿命(次) Mechanical Endurance(Cycles) | 10,000,000次以上 ≥10,000,000 |
| 电气寿命(次) Electrical Endurance(Cycles) | 500,000次以上 (AC250V电阻负载3A时) ≥500,000 (AC250V resistance with load 3A) |
| 触头额定容量 Contact Rated Capacity | AC-15 (A300):240V/3A DC-13 (Q300):250V/0.27A |
| 弱电开关的专用触点特性 Specifications of special contact blocks | Pmax:12 VA Imax:1A Umax:24V |
| 触点材料 Contact Material | 银合金(AgNi)(标准触点) Silver alloy(AgNi) (standard contact) 镀金(AgNi/Au) (弱电系统) Gold flashed (AgNi/Au) (Low power switching) |
| 接线截面 Cabling Capacity | 最小: 0.5mm ² Min: 0.5mm ² 最大: 2x1.5mm ² Max: 2*1.5mm ² |
| 安装方式 Mounting Type | 螺钉接线 Screw connection |
| 安装扭矩(Max) Installation Twisting | Max 0.8N.m |
| RoHS材料 RoHS Material | 是 Yes |

(1)UL认证准备中 UL certification is pending

(2)弱电系统建议采用镀金触点，请在订单中注明。

The weak electric system is recommended to use gold plated contacts, please note in the order

■ 直动型 Straight moving type

| 名称和外观 Name and Photo | 触头开关类型 Module Type | 触头数量 Module Q'ty | 订货号码 Order Number | 开关行程图 Picture | 触发类型 Trigger type | 最大触发速度 Maximum triggering speed | 最小触发力 Minimum triggering force | 强制断开力 Mandatory disconnection force | 最小起订量 M.O.Q |
|-------------------------|---|---|----------------------|------------------|----------------------|------------------------------------|-----------------------------------|--|----------------|
| | 2级慢动 2 modules, Squirm | 1NC1NO | TX1-1A01 | | | 1.5m/s | 6.5N | 20N | 1 |
| | | 2NC | TX1-1B01 | | | | | | |
| | | 2NO | TX1-1C01 | | | | | | |
| | 3级慢动 3 modules, Squirm | 3NC | TX1-1D01 * | | | | | | |
| | | 1NC2NO | TX1-1E01 * | | | | | | |
| | | 2NC1NO | TX1-1F01 * | | | | | | |
| | 2级快动 2 modules, Momentary | 3NO | TX1-1G01 * | | | | | | |
| | | 1NC1NO | TX1-1H01 * | | | | | | |
| | | 2NC | TX1-1J01 * | | | | | | |
| | 2级慢动 MBB触点 (先合后断) 2 modules Squirm MBB contact (connect first, then disconnect) | 1NC1NO | TX1-1K01 | | | | | | |
| | | 3级慢动 MBB触点 (先合后断) 3 modules Squirm MBB contact (connect first, then disconnect) | 1NC2NO | TX1-1L01 * | | | | | |
| | | | 2NC1NO | TX1-1M01 * | | | | | |

■ 单向悬臂滚轮型 (水平) One-way cantilever roller type (horizontal)

| 名称和外观 Name and Photo | 触头开关类型 Module Type | 触头数量 Module Q'ty | 订货号码 Order Number | 开关行程图 Picture | 触发类型 Trigger type | 最大触发速度 Maximum triggering speed | 最小触发力 Minimum triggering force | 强制断开力 Mandatory disconnection force | 最小起订量 M.O.Q |
|-------------------------|---|---|----------------------|------------------|----------------------|------------------------------------|-----------------------------------|--|----------------|
| | 2级慢动 2 modules, Squirm | 1NC1NO | TX1-1A03 | | | 1m/s | 5N | 20N | 1 |
| | | 2NC | TX1-1B03 | | | | | | |
| | | 2NO | TX1-1C03 | | | | | | |
| | 3级慢动 3 modules, Squirm | 3NC | TX1-1D03 * | | | | | | |
| | | 1NC2NO | TX1-1E03 * | | | | | | |
| | | 2NC1NO | TX1-1F03 * | | | | | | |
| | 2级快动 2 modules, Momentary | 3NO | TX1-1G03 * | | | | | | |
| | | 1NC1NO | TX1-1H03 * | | | | | | |
| | | 2NC | TX1-1J03 * | | | | | | |
| | 2级慢动 MBB触点 (先合后断) 2 modules Squirm MBB contact (connect first, then disconnect) | 1NC1NO | TX1-1K03 | | | | | | |
| | | 3级慢动 MBB触点 (先合后断) 3 modules Squirm MBB contact (connect first, then disconnect) | 1NC2NO | TX1-1L03 * | | | | | |
| | | | 2NC1NO | TX1-1M03 * | | | | | |

■ 滚轮直动型 Straight running roller type

| 名称和外观 Name and Photo | 触头开关类型 Module Type | 触头数量 Module Q'ty | 订货号码 Order Number | 开关行程图 Picture | 触发类型 Trigger type | 最大触发速度 Maximum triggering speed | 最小触发力 Minimum triggering force | 强制断开力 Mandatory disconnection force | 最小起订量 M.O.Q |
|-------------------------|---|---|----------------------|------------------|----------------------|------------------------------------|-----------------------------------|--|----------------|
| | 2级慢动 2 modules, Squirm | 1NC1NO | TX1-1A02 * | | | 1m/s | 6.5N | 20N | 1 |
| | | 2NC | TX1-1B02 * | | | | | | |
| | | 2NO | TX1-1C02 * | | | | | | |
| | 3级慢动 3 modules, Squirm | 3NC | TX1-1D02 * | | | | | | |
| | | 1NC2NO | TX1-1E02 * | | | | | | |
| | | 2NC1NO | TX1-1F02 * | | | | | | |
| | 2级快动 2 modules, Momentary | 3NO | TX1-1G02 * | | | | | | |
| | | 1NC1NO | TX1-1H02 * | | | | | | |
| | | 2NC | TX1-1J02 * | | | | | | |
| | 2级慢动 MBB触点 (先合后断) 2 modules Squirm MBB contact (connect first, then disconnect) | 1NC1NO | TX1-1K02 * | | | | | | |
| | | 3级慢动 MBB触点 (先合后断) 3 modules Squirm MBB contact (connect first, then disconnect) | 1NC2NO | TX1-1L02 * | | | | | |
| | | | 2NC1NO | TX1-1M02 * | | | | | |

■ 单向悬臂滚轮型 (竖直) One-way cantilever roller type (Vertical)

| 名称和外观 Name and Photo | 触头开关类型 Module Type | 触头数量 Module Q'ty | 订货号码 Order Number | 开关行程图 Picture | 触发类型 Trigger type | 最大触发速度 Maximum triggering speed | 最小触发力 Minimum triggering force | 强制断开力 Mandatory disconnection force | 最小起订量 M.O.Q |
|-------------------------|---|---|----------------------|------------------|----------------------|------------------------------------|-----------------------------------|--|----------------|
| | 2级慢动 2 modules, Squirm | 1NC1NO | TX1-1A04 | | | 1m/s | 5N | 20N | 1 |
| | | 2NC | TX1-1B04 | | | | | | |
| | | 2NO | TX1-1C04 | | | | | | |
| | 3级慢动 3 modules, Squirm | 3NC | TX1-1D04 * | | | | | | |
| | | 1NC2NO | TX1-1E04 * | | | | | | |
| | | 2NC1NO | TX1-1F04 * | | | | | | |
| | 2级快动 2 modules, Momentary | 3NO | TX1-1G04 * | | | | | | |
| | | 1NC1NO | TX1-1H04 * | | | | | | |
| | | 2NC | TX1-1J04 * | | | | | | |
| | 2级慢动 MBB触点 (先合后断) 2 modules Squirm MBB contact (connect first, then disconnect) | 1NC1NO | TX1-1K04 | | | | | | |
| | | 3级慢动 MBB触点 (先合后断) 3 modules Squirm MBB contact (connect first, then disconnect) | 1NC2NO | TX1-1L04 * | | | | | |
| | | | 2NC1NO | TX1-1M04 * | | | | | |

标记说明: 触点闭合 Module connect (P)=强制断开点 Mandatory disconnect point NC触点带强制断开功能 NC module with mandatory disconnection function
(Remark) 触点断开 Module disconnect

标记说明: 触点闭合 Module connect (P)=强制断开点 Mandatory disconnect point NC触点带强制断开功能 NC module with mandatory disconnection function
(Remark) 触点断开 Module disconnect

滚轮摇杆型 Roller joystick type

| 名称和外观 Name and Photo | 触头开关类型 Module Type | 触头数量 Module Q'ty | 订货号码 Order Number | 开关行程图 Picture | 触发类型 Trigger type | 最大触发速度 Maximum triggering speed | 最小触发力 Minimum triggering force | 强制断开力 Mandatory disconnection force | 最小起订量 M.O.Q |
|-------------------------|---|---------------------|----------------------|------------------|----------------------|------------------------------------|-----------------------------------|--|----------------|
| | 2级慢动 2 modules,Squirm | 1NC1NO | TX1-1A05 | | | 1.5m/s | 5N | 20N | 1 |
| | | 2NC | TX1-1B05 | | | | | | |
| | | 2NO | TX1-1C05 | | | | | | |
| | 3级慢动 3 modules,Squirm | 3NC | TX1-1D05 * | | | | | | |
| | | 1NC2NO | TX1-1E05 * | | | | | | |
| | | 2NC1NO | TX1-1F05 * | | | | | | |
| | 2级快动 2modules,Momentary | 3NO | TX1-1G05 * | | | | | | |
| | | 1NC1NO | TX1-1H05 * | | | | | | |
| | | 2NC | TX1-1J05 * | | | | | | |
| | 2级慢动 MBB触点 (先合后断) 2 modules Squirm MBB contact (connect first, then disconnect) | 1NC1NO | TX1-1K05 | | | | | | |
| | | 1NC2NO | TX1-1L05 * | | | | | | |
| | 3级慢动 MBB触点 (先合后断) 3 modules Squirm MBB contact (connect first, then disconnect) | 2NC1NO | TX1-1M05 * | | | | | | |

叉式摇杆锁定型 (左操作) V-joystick lock type(left operation)

| 名称和外观 Name and Photo | 触头开关类型 Module Type | 触头数量 Module Q'ty | 订货号码 Order Number | 开关行程图 Picture | 触发类型 Trigger type | 最大触发速度 Maximum triggering speed | 最小触发力 Minimum triggering force | 强制断开力 Mandatory disconnection force | 最小起订量 M.O.Q |
|-------------------------|---|---------------------|----------------------|------------------|----------------------|------------------------------------|-----------------------------------|--|----------------|
| | 2级慢动 2 modules,Squirm | 1NC1NO | TX1-1A07 * | | | 1.5m/s | 5N | 20N | 1 |
| | | 2NC | TX1-1B07 * | | | | | | |
| | | 2NO | TX1-1C07 * | | | | | | |
| | 3级慢动 3 modules,Squirm | 3NC | TX1-1D07 * | | | | | | |
| | | 1NC2NO | TX1-1E07 * | | | | | | |
| | | 2NC1NO | TX1-1F07 * | | | | | | |
| | 2级快动 2modules,Momentary | 3NO | TX1-1G07 * | | | | | | |
| | | 1NC1NO | TX1-1H07 * | | | | | | |
| | | 2NC | TX1-1J07 * | | | | | | |
| | 2级慢动 MBB触点 (先合后断) 2 modules Squirm MBB contact (connect first, then disconnect) | 1NC1NO | TX1-1K07 * | | | | | | |
| | | 1NC2NO | TX1-1L07 * | | | | | | |
| | 3级慢动 MBB触点 (先合后断) 3 modules Squirm MBB contact (connect first, then disconnect) | 2NC1NO | TX1-1M07 * | | | | | | |

可调滚轮摇杆型 Adjustable roller joystick type

| 名称和外观 Name and Photo | 触头开关类型 Module Type | 触头数量 Module Q'ty | 订货号码 Order Number | 开关行程图 Picture | 触发类型 Trigger type | 最大触发速度 Maximum triggering speed | 最小触发力 Minimum triggering force | 强制断开力 Mandatory disconnection force | 最小起订量 M.O.Q |
|-------------------------|---|---------------------|----------------------|------------------|----------------------|------------------------------------|-----------------------------------|--|----------------|
| | 2级慢动 2 modules,Squirm | 1NC1NO | TX1-1A06 * | | | 1.5m/s | 5N | 20N | 1 |
| | | 2NC | TX1-1B06 * | | | | | | |
| | | 2NO | TX1-1C06 * | | | | | | |
| | 3级慢动 3 modules,Squirm | 3NC | TX1-1D06 * | | | | | | |
| | | 1NC2NO | TX1-1E06 * | | | | | | |
| | | 2NC1NO | TX1-1F06 * | | | | | | |
| | 2级快动 2modules,Momentary | 3NO | TX1-1G06 * | | | | | | |
| | | 1NC1NO | TX1-1H06 * | | | | | | |
| | | 2NC | TX1-1J06 * | | | | | | |
| | 2级慢动 MBB触点 (先合后断) 2 modules Squirm MBB contact (connect first, then disconnect) | 1NC1NO | TX1-1K06 * | | | | | | |
| | | 1NC2NO | TX1-1L06 * | | | | | | |
| | 3级慢动 MBB触点 (先合后断) 3 modules Squirm MBB contact (connect first, then disconnect) | 2NC1NO | TX1-1M06 * | | | | | | |

叉式摇杆锁定型 (右操作) V-joystick lock type(right operation)

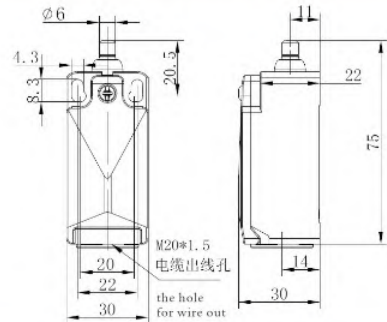
| 名称和外观 Name and Photo | 触头开关类型 Module Type | 触头数量 Module Q'ty | 订货号码 Order Number | 开关行程图 Picture | 触发类型 Trigger type | 最大触发速度 Maximum triggering speed | 最小触发力 Minimum triggering force | 强制断开力 Mandatory disconnection force | 最小起订量 M.O.Q |
|-------------------------|---|---------------------|----------------------|------------------|----------------------|------------------------------------|-----------------------------------|--|----------------|
| | 2级慢动 2 modules,Squirm | 1NC1NO | TX1-1A08 * | | | 1.5m/s | 5N | 20N | 1 |
| | | 2NC | TX1-1B08 * | | | | | | |
| | | 2NO | TX1-1C08 * | | | | | | |
| | 3级慢动 3 modules,Squirm | 3NC | TX1-1D08 * | | | | | | |
| | | 1NC2NO | TX1-1E08 * | | | | | | |
| | | 2NC1NO | TX1-1F08 * | | | | | | |
| | 2级快动 2modules,Momentary | 3NO | TX1-1G08 * | | | | | | |
| | | 1NC1NO | TX1-1H08 * | | | | | | |
| | | 2NC | TX1-1J08 * | | | | | | |
| | 2级慢动 MBB触点 (先合后断) 2 modules Squirm MBB contact (connect first, then disconnect) | 1NC1NO | TX1-1K08 * | | | | | | |
| | | 1NC2NO | TX1-1L08 * | | | | | | |
| | 3级慢动 MBB触点 (先合后断) 3 modules Squirm MBB contact (connect first, then disconnect) | 2NC1NO | TX1-1M08 * | | | | | | |

标记说明: 触点闭合 Module connect (P)=强制断开点 Mandatory disconnect point NC触点带强制断开功能 NC module with mandatory disconnection function
(Remark) 触点断开 Module disconnect

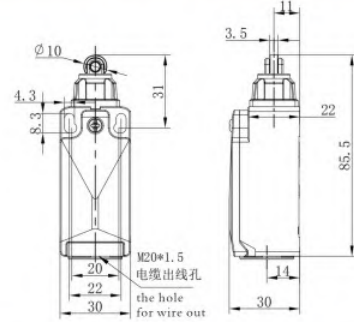
标记说明: 触点闭合 Module connect (P)=强制断开点 Mandatory disconnect point NC触点带强制断开功能 NC module with mandatory disconnection function
(Remark) 触点断开 Module disconnect

外形尺寸图(Boundary Dimension) (mm)

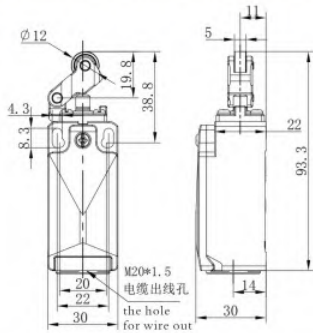
直动型
Straight moving type



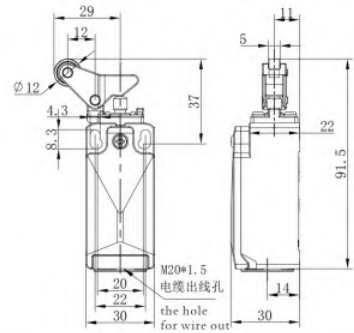
滚轮直动型
Straight running roller type



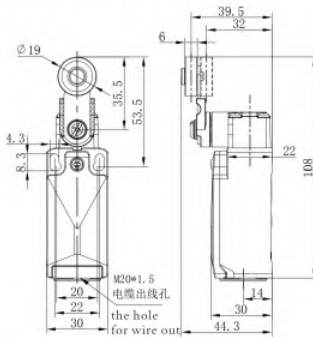
单向悬臂滚轮型 (水平)
One-way cantilever roller type (horizontal)



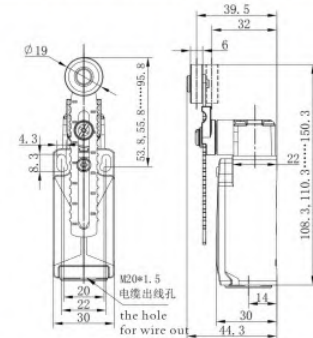
单向悬臂滚轮型 (竖直)
One-way cantilever roller type (vertical)



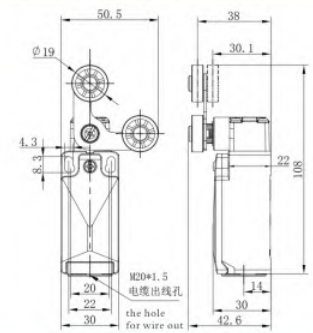
滚轮摇杆型
Roller joystick type



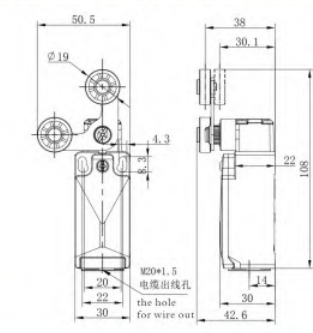
可调滚轮摇杆型
Adjustable roller joystick type



叉式摇杆锁定型 (左操作)
V-joystick lock type (left operation)



叉式摇杆锁定型 (右操作)
V-joystick lock type (right operation)



直动型 Straight moving type



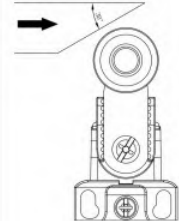
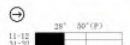





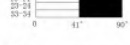
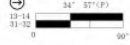
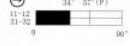
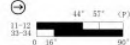

| 名称和外观 Name and Photo | 触头开关类型 Module Type | 触头数量 Module Q'ty | 订货号码 Order Number | 开关行程图 Picture | 触发类型 Trigger type | 最大触发速度 Maximum triggering speed | 最小触发力 Minimum triggering force | 强制断开力 Mandatory disconnection force | 最小起订量 M. O. Q | |
|-------------------------|------------------------------|---|----------------------|------------------|----------------------|------------------------------------|-----------------------------------|--|------------------|--|
| | 2级慢动 2 modules, Squirm | 1NC1NO | TX1-2A01 | | | 1.5m/s | 6.5N | 20N | 1 | |
| | | 2NC | TX1-2B01 | | | | | | | |
| | | 2NO | TX1-2C01 | | | | | | | |
| | 3级慢动 3 modules, Squirm | 3NC | TX1-2D01* | | | | | | | |
| | | 1NC2NO | TX1-2E01* | | | | | | | |
| | | 2NC1NO | TX1-2F01* | | | | | | | |
| | 2级快动 2 modules, Momentary | 3NO | TX1-2G01* | | | | | | | |
| | | 1NC1NO | TX1-2H01* | | | | | | | |
| | | 2NC | TX1-2J01* | | | | | | | |
| | | 2级慢动 MBB触点 (先合后断) 2 modules Squirm MBB contact (connect first, then disconnect) | 1NC1NO | TX1-2K01 | | | | | | |
| | | 3级慢动 MBB触点 (先合后断) 3 modules Squirm MBB contact (connect first, then disconnect) | 1NC2NO | TX1-2L01* | | | | | | |
| | | 2NC1NO | TX1-2M01* | | | | | | | |

滚轮直动型 Straight running roller type


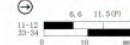
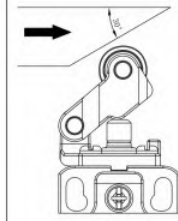
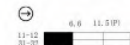





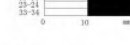


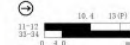

| 名称和外观 Name and Photo | 触头开关类型 Module Type | 触头数量 Module Q'ty | 订货号码 Order Number | 开关行程图 Picture | 触发类型 Trigger type | 最大触发速度 Maximum triggering speed | 最小触发力 Minimum triggering force | 强制断开力 Mandatory disconnection force | 最小起订量 M. O. Q | |
|-------------------------|------------------------------|---|----------------------|------------------|----------------------|------------------------------------|-----------------------------------|--|------------------|--|
| | 2级慢动 2 modules, Squirm | 1NC1NO | TX1-2A02* | | | 1m/s | 6.5N | 20N | 1 | |
| | | 2NC | TX1-2B02* | | | | | | | |
| | | 2NO | TX1-2C02* | | | | | | | |
| | 3级慢动 3 modules, Squirm | 3NC | TX1-2D02* | | | | | | | |
| | | 1NC2NO | TX1-2E02* | | | | | | | |
| | | 2NC1NO | TX1-2F02* | | | | | | | |
| | 2级快动 2 modules, Momentary | 3NO | TX1-2G02* | | | | | | | |
| | | 1NC1NO | TX1-2H02* | | | | | | | |
| | | 2NC | TX1-2J02* | | | | | | | |
| | | 2级慢动 MBB触点 (先合后断) 2 modules Squirm MBB contact (connect first, then disconnect) | 1NC1NO | TX1-2K02* | | | | | | |
| | | 3级慢动 MBB触点 (先合后断) 3 modules Squirm MBB contact (connect first, then disconnect) | 1NC2NO | TX1-2L02* | | | | | | |
| | | 2NC1NO | TX1-2M02* | | | | | | | |

标记说明: 触点闭合 Module connect (P)=强制断开点 Mandatory disconnect point NC触点带强制断开功能 NC module with mandatory disconnection function
(Remark) 触点断开 Module disconnect



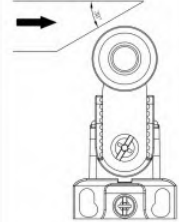




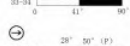



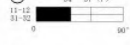
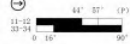

滚轮摇杆型 Roller joystick type



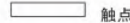
| 名称和外观 Name and Photo | 触头开关类型 Module Type | 触头数量 Module Q'ty | 订货号码 Order Number | 开关行程图 Picture | 触发类型 Trigger type | 最大触发速度 Maximum triggering speed | 最小触发力 Minimum triggering force | 强制断开力 Mandatory disconnection force | 最小起订量 M.O.Q |
|---|--|---------------------|----------------------|---|--|------------------------------------|-----------------------------------|--|----------------|
|  | 2级慢动 2 modules,Squirm | 1NC1NO | TX1-2A05 |  |  | 1.5m/s | 5N | 20N | 1 |
| | | 2NC | TX1-2B05 |  | | | | | |
| | | 2NO | TX1-2C05 |  | | | | | |
| | 3级慢动 3 modules,Squirm | 3NC | TX1-2D05 * |  | | | | | |
| | | 1NC2NO | TX1-2E05 * |  | | | | | |
| | | 2NC1NO | TX1-2F05 * |  | | | | | |
| | 2级快动 2modules,Momentary | 3NO | TX1-2G05 * |  | | | | | |
| | | 1NC1NO | TX1-2H05 * |  | | | | | |
| | | 2NC | TX1-2J05 * |  | | | | | |
| | 2级慢动 MBB触点 (先合后断) 2 modules Squirm MBB contact (connect first,then disconnect) | 1NC1NO | TX1-2K05 |  | | | | | |
| | | 1NC2NO | TX1-2L05 * |  | | | | | |
| | 3级慢动 MBB触点 (先合后断) 3 modules Squirm MBB contact (connect first,then disconnect) | 2NC1NO | TX1-2M05 * |  | | | | | |



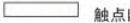
单向悬臂滚轮型 (水平) One-way cantilever roller type (horizontal)

| 名称和外观 Name and Photo | 触头开关类型 Module Type | 触头数量 Module Q'ty | 订货号码 Order Number | 开关行程图 Picture | 触发类型 Trigger type | 最大触发速度 Maximum triggering speed | 最小触发力 Minimum triggering force | 强制断开力 Mandatory disconnection force | 最小起订量 M.O.Q |
|---|--|---------------------|----------------------|---|---|------------------------------------|-----------------------------------|--|----------------|
|  | 2级慢动 2 modules,Squirm | 1NC1NO | TX1-2A03 |  |  | 1m/s | 6N | 10N | 1 |
| | | 2NC | TX1-2B03 |  | | | | | |
| | | 2NO | TX1-2C03 |  | | | | | |
| | 3级慢动 3 modules,Squirm | 3NC | TX1-2D03 * |  | | | | | |
| | | 1NC2NO | TX1-2E03 * |  | | | | | |
| | | 2NC1NO | TX1-2F03 * |  | | | | | |
| | 2级快动 2modules,Momentary | 3NO | TX1-2G03 * |  | | | | | |
| | | 1NC1NO | TX1-2H03 * |  | | | | | |
| | | 2NC | TX1-2J03 * |  | | | | | |
| | 2级慢动 MBB触点 (先合后断) 2 modules Squirm MBB contact (connect first,then disconnect) | 1NC1NO | TX1-2K03 |  | | | | | |
| | | 1NC2NO | TX1-2L03 * |  | | | | | |
| | 3级慢动 MBB触点 (先合后断) 3 modules Squirm MBB contact (connect first,then disconnect) | 2NC1NO | TX1-2M03 * |  | | | | | |

可调滚轮摇杆型 Adjustable roller joystick type

| 名称和外观 Name and Photo | 触头开关类型 Module Type | 触头数量 Module Q'ty | 订货号码 Order Number | 开关行程图 Picture | 触发类型 Trigger type | 最大触发速度 Maximum triggering speed | 最小触发力 Minimum triggering force | 强制断开力 Mandatory disconnection force | 最小起订量 M.O.Q |
|---|--|---------------------|----------------------|---|--|------------------------------------|-----------------------------------|--|----------------|
|  | 2级慢动 2 modules,Squirm | 1NC1NO | TX1-2A06 * |  |  | 1.5m/s | 5N | 20N | 1 |
| | | 2NC | TX1-2B06 * |  | | | | | |
| | | 2NO | TX1-2C06 * |  | | | | | |
| | 3级慢动 3 modules,Squirm | 3NC | TX1-2D06 * |  | | | | | |
| | | 1NC2NO | TX1-2E06 * |  | | | | | |
| | | 2NC1NO | TX1-2F06 * |  | | | | | |
| | 2级快动 2modules,Momentary | 3NO | TX1-2G06 * |  | | | | | |
| | | 1NC1NO | TX1-2H06 * |  | | | | | |
| | | 2NC | TX1-2J06 * |  | | | | | |
| | 2级慢动 MBB触点 (先合后断) 2 modules Squirm MBB contact (connect first,then disconnect) | 1NC1NO | TX1-2K06 * |  | | | | | |
| | | 1NC2NO | TX1-2L06 * |  | | | | | |
| | 3级慢动 MBB触点 (先合后断) 3 modules Squirm MBB contact (connect first,then disconnect) | 2NC1NO | TX1-2M06 * |  | | | | | |

标记说明:  触点闭合 Module connect (P)=强制断开点 Mandatory disconnect point  NC触点带强制断开功能 NC module with mandatory disconnection function
(Remark)  触点断开 Module disconnect

标记说明:  触点闭合 Module connect (P)=强制断开点 Mandatory disconnect point  NC触点带强制断开功能 NC module with mandatory disconnection function
(Remark)  触点断开 Module disconnect

■ 叉式摇杆锁定型 (左操作) V-joystick lock type (left operation)

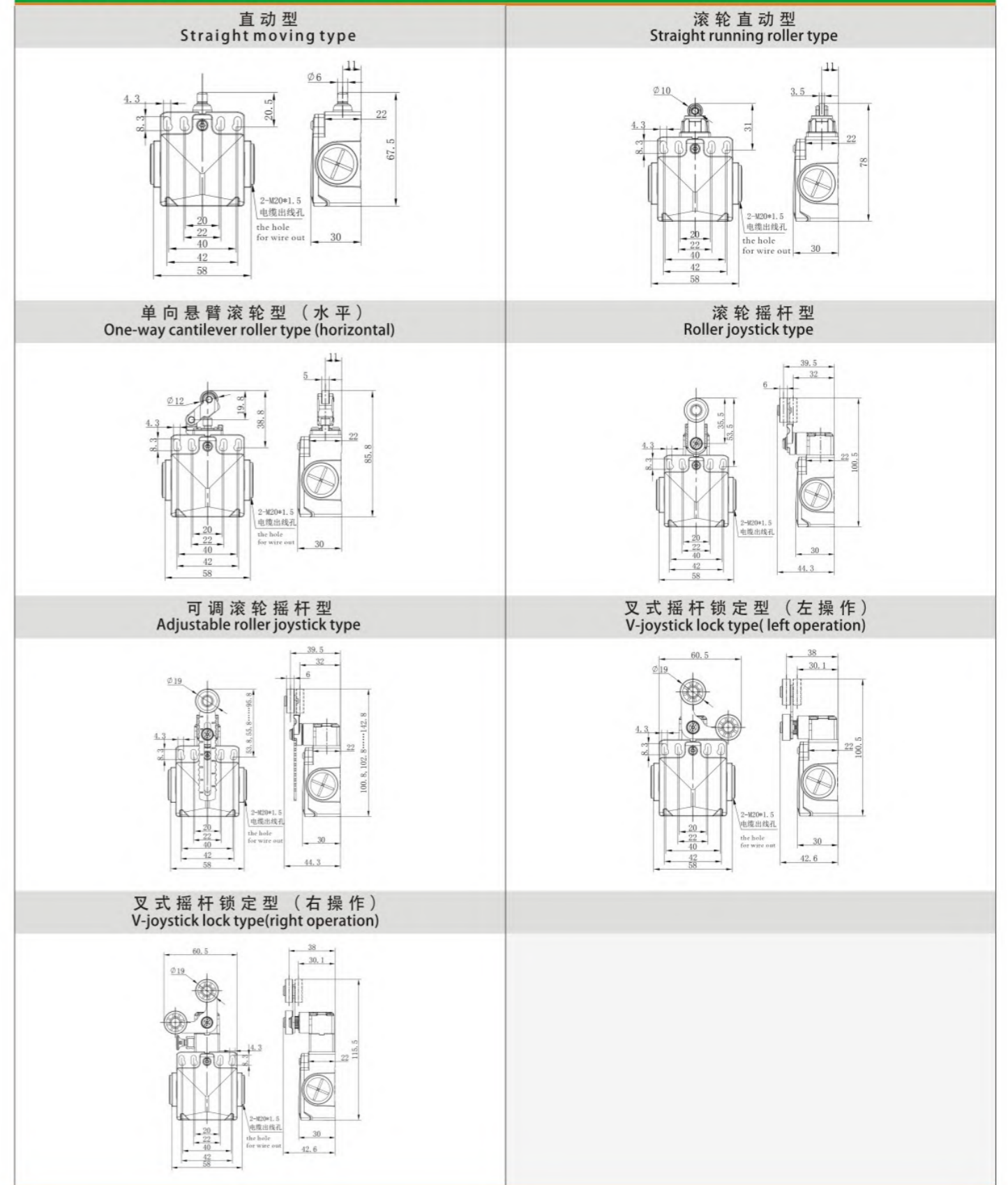
| 名称和外观 Name and Photo | 触头开关类型 Module Type | 触头数量 Module Q'ty | 订货号码 Order Number | 开关行程图 Picture | 触发类型 Trigger type | 最大触发速度 Maximum triggering speed | 最小触发力 Minimum triggering force | 强制断开力 Mandatory disconnection force | 最小起订量 M.O.Q | |
|-------------------------|---|---|----------------------|------------------|----------------------|------------------------------------|-----------------------------------|--|----------------|--|
| | 2级慢动 2 modules, Squirm | 1NC1NO | TX1-2A07 * | | | 1.5m/s | 5N | 20N | 1 | |
| | | 2NC | TX1-2B07 * | | | | | | | |
| | | 2NO | TX1-2C07 * | | | | | | | |
| | 3级慢动 3 modules, Squirm | 3NC | TX1-2D07 * | | | | | | | |
| | | 1NC2NO | TX1-2E07 * | | | | | | | |
| | | 2NC1NO | TX1-2F07 * | | | | | | | |
| | 2级快动 2 modules, Momentary | 3NO | TX1-2G07 * | | | | | | | |
| | | 1NC1NO | TX1-2H07 * | | | | | | | |
| | | 2NC | TX1-2J07 * | | | | | | | |
| | 2级慢动 MBB触点 (先合后断) 2 modules Squirm MBB contact (connect first, then disconnect) | 1NC1NO | TX1-2K07 * | | | | | | | |
| | | 3级慢动 MBB触点 (先合后断) 3 modules Squirm MBB contact (connect first, then disconnect) | 1NC2NO | TX1-2L07 * | | | | | | |
| | | | 2NC1NO | TX1-2M07 * | | | | | | |

■ 叉式摇杆锁定型 (右操作) V-joystick lock type (Right operation)

| 名称和外观 Name and Photo | 触头开关类型 Module Type | 触头数量 Module Q'ty | 订货号码 Order Number | 开关行程图 Picture | 触发类型 Trigger type | 最大触发速度 Maximum triggering speed | 最小触发力 Minimum triggering force | 强制断开力 Mandatory disconnection force | 最小起订量 M.O.Q | |
|-------------------------|---|---|----------------------|------------------|----------------------|------------------------------------|-----------------------------------|--|----------------|--|
| | 2级慢动 2 modules, Squirm | 1NC1NO | TX1-2A08 * | | | 1.5m/s | 5N | 20N | 1 | |
| | | 2NC | TX1-2B08 * | | | | | | | |
| | | 2NO | TX1-2C08 * | | | | | | | |
| | 3级慢动 3 modules, Squirm | 3NC | TX1-2D08 * | | | | | | | |
| | | 1NC2NO | TX1-2E08 * | | | | | | | |
| | | 2NC1NO | TX1-2F08 * | | | | | | | |
| | 2级快动 2 modules, Momentary | 3NO | TX1-2G08 * | | | | | | | |
| | | 1NC1NO | TX1-2H08 * | | | | | | | |
| | | 2NC | TX1-2J08 * | | | | | | | |
| | 2级慢动 MBB触点 (先合后断) 2 modules Squirm MBB contact (connect first, then disconnect) | 1NC1NO | TX1-2K08 * | | | | | | | |
| | | 3级慢动 MBB触点 (先合后断) 3 modules Squirm MBB contact (connect first, then disconnect) | 1NC2NO | TX1-2L08 * | | | | | | |
| | | | 2NC1NO | TX1-2M08 * | | | | | | |

标记说明: 触点闭合 Module connect (P)=强制断开点 Mandatory disconnect point NC触点带强制断开功能 NC module with mandatory disconnection function
(Remark) 触点断开 Module disconnect

外形尺寸图 (Boundary Dimension) (mm)



■ 直动型 Straight moving type

| 名称和外观 Name and Photo | 触头开关类型 Module Type | 触头数量 Module Q'ty | 订货号码 Order Number | 开关行程图 Picture | 触发类型 Trigger type | 最大触发速度 Maximum triggering speed | 最小触发力 Minimum triggering force | 强制断开力 Mandatory disconnection force | 最小起订量 M.O.Q | |
|-------------------------|--|--|----------------------|------------------|----------------------|------------------------------------|-----------------------------------|--|----------------|--|
| | 2级慢动 2 modules,Squirm | 1NC1NO | TX1-1A01R* | | | 1.5m/s | 6.5N | 20N | 1 | |
| | | 2NC | TX1-1B01R* | | | | | | | |
| | | 2NO | TX1-1C01R* | | | | | | | |
| | 3级慢动 3 modules,Squirm | 3NC | TX1-1D01R* | | | | | | | |
| | | 1NC2NO | TX1-1E01R* | | | | | | | |
| | | 2NC1NO | TX1-1F01R* | | | | | | | |
| | 3NO | TX1-1G01R* | | | | | | | | |
| | | 2级快动 2modules,Momentary | 1NC1NO | TX1-1H01R* | | | | | | |
| | | | 2NC | TX1-1J01R* | | | | | | |
| | 2级慢动 MBB触点 (先合后断) 2 modules Squirm MBB contact (connect first,then disconnect) | 1NC1NO | TX1-1K01R* | | | | | | | |
| | | 3级慢动 MBB触点 (先合后断) 3 modules Squirm MBB contact (connect first,then disconnect) | 1NC2NO | TX1-1L01R* | | | | | | |
| | 2NC1NO | | TX1-1M01R* | | | | | | | |

■ 单向悬臂滚轮型 (水平) One-way cantilever roller type (horizontal)

| 名称和外观 Name and Photo | 触头开关类型 Module Type | 触头数量 Module Q'ty | 订货号码 Order Number | 开关行程图 Picture | 触发类型 Trigger type | 最大触发速度 Maximum triggering speed | 最小触发力 Minimum triggering force | 强制断开力 Mandatory disconnection force | 最小起订量 M.O.Q | |
|-------------------------|--|--|----------------------|------------------|----------------------|------------------------------------|-----------------------------------|--|----------------|--|
| | 2级慢动 2 modules,Squirm | 1NC1NO | TX1-1A03R* | | | 1m/s | 5N | 20N | 1 | |
| | | 2NC | TX1-1B03R* | | | | | | | |
| | | 2NO | TX1-1C03R* | | | | | | | |
| | 3级慢动 3 modules,Squirm | 3NC | TX1-1D03R* | | | | | | | |
| | | 1NC2NO | TX1-1E03R* | | | | | | | |
| | | 2NC1NO | TX1-1F03R* | | | | | | | |
| | 3NO | TX1-1G03R* | | | | | | | | |
| | | 2级快动 2modules,Momentary | 1NC1NO | TX1-1H03R* | | | | | | |
| | | | 2NC | TX1-1J03R* | | | | | | |
| | 2级慢动 MBB触点 (先合后断) 2 modules Squirm MBB contact (connect first,then disconnect) | 1NC1NO | TX1-1K03R* | | | | | | | |
| | | 3级慢动 MBB触点 (先合后断) 3 modules Squirm MBB contact (connect first,then disconnect) | 1NC2NO | TX1-1L03R* | | | | | | |
| | 2NC1NO | | TX1-1M03R* | | | | | | | |

■ 滚轮直动型 Straight running roller type

| 名称和外观 Name and Photo | 触头开关类型 Module Type | 触头数量 Module Q'ty | 订货号码 Order Number | 开关行程图 Picture | 触发类型 Trigger type | 最大触发速度 Maximum triggering speed | 最小触发力 Minimum triggering force | 强制断开力 Mandatory disconnection force | 最小起订量 M.O.Q | |
|-------------------------|--|--|----------------------|------------------|----------------------|------------------------------------|-----------------------------------|--|----------------|--|
| | 2级慢动 2 modules,Squirm | 1NC1NO | TX1-1A02R* | | | 1.5m/s | 6.5N | 20N | 1 | |
| | | 2NC | TX1-1B02R* | | | | | | | |
| | | 2NO | TX1-1C02R* | | | | | | | |
| | 3级慢动 3 modules,Squirm | 3NC | TX1-1D02R* | | | | | | | |
| | | 1NC2NO | TX1-1E02R* | | | | | | | |
| | | 2NC1NO | TX1-1F02R* | | | | | | | |
| | 3NO | TX1-1G02R* | | | | | | | | |
| | | 2级快动 2modules,Momentary | 1NC1NO | TX1-1H02R* | | | | | | |
| | | | 2NC | TX1-1J02R* | | | | | | |
| | 2级慢动 MBB触点 (先合后断) 2 modules Squirm MBB contact (connect first,then disconnect) | 1NC1NO | TX1-1K02R* | | | | | | | |
| | | 3级慢动 MBB触点 (先合后断) 3 modules Squirm MBB contact (connect first,then disconnect) | 1NC2NO | TX1-1L02R* | | | | | | |
| | 2NC1NO | | TX1-1M02R* | | | | | | | |

■ 单向悬臂滚轮型 (竖直) One-way cantilever roller type (Vertical)

| 名称和外观 Name and Photo | 触头开关类型 Module Type | 触头数量 Module Q'ty | 订货号码 Order Number | 开关行程图 Picture | 触发类型 Trigger type | 最大触发速度 Maximum triggering speed | 最小触发力 Minimum triggering force | 强制断开力 Mandatory disconnection force | 最小起订量 M.O.Q | |
|-------------------------|--|--|----------------------|------------------|----------------------|------------------------------------|-----------------------------------|--|----------------|--|
| | 2级慢动 2 modules,Squirm | 1NC1NO | TX1-1A04R* | | | 1m/s | 5N | 20N | 1 | |
| | | 2NC | TX1-1B04R* | | | | | | | |
| | | 2NO | TX1-1C04R* | | | | | | | |
| | 3级慢动 3 modules,Squirm | 3NC | TX1-1D04R* | | | | | | | |
| | | 1NC2NO | TX1-1E04R* | | | | | | | |
| | | 2NC1NO | TX1-1F04R* | | | | | | | |
| | 3NO | TX1-1G04R* | | | | | | | | |
| | | 2级快动 2modules,Momentary | 1NC1NO | TX1-1H04R* | | | | | | |
| | | | 2NC | TX1-1J04R* | | | | | | |
| | 2级慢动 MBB触点 (先合后断) 2 modules Squirm MBB contact (connect first,then disconnect) | 1NC1NO | TX1-1K04R* | | | | | | | |
| | | 3级慢动 MBB触点 (先合后断) 3 modules Squirm MBB contact (connect first,then disconnect) | 1NC2NO | TX1-1L04R* | | | | | | |
| | 2NC1NO | | TX1-1M04R* | | | | | | | |

标记说明: 触点闭合 Module connect (P)=强制断开点 Mandatory disconnect point NC触点带强制断开功能 NC module with mandatory disconnection function
(Remark) 触点断开 Module disconnect

标记说明: 触点闭合 Module connect (P)=强制断开点 Mandatory disconnect point NC触点带强制断开功能 NC module with mandatory disconnection function
(Remark) 触点断开 Module disconnect

滚轮摇杆型 Roller joystick type

| 名称和外观 Name and Photo | 触头开关类型 Module Type | 触头数量 Module Q'ty | 订货号码 Order Number | 开关行程图 Picture | 触发类型 Trigger type | 最大触发速度 Maximum triggering speed | 最小触发力 Minimum triggering force | 强制断开力 Mandatory disconnection force | 最小起订量 M.O.Q |
|-------------------------|---|---------------------|----------------------|------------------|----------------------|------------------------------------|-----------------------------------|--|----------------|
| | 2级慢动 2 modules,Squirm | 1NC1NO | TX1-1A05R * | | | 1.5m/s | 5N | 20N | 1 |
| | | 2NC | TX1-1B05R * | | | | | | |
| | | 2NO | TX1-1C05R * | | | | | | |
| | 3级慢动 3 modules,Squirm | 3NC | TX1-1D05R * | | | | | | |
| | | 1NC2NO | TX1-1E05R * | | | | | | |
| | | 2NC1NO | TX1-1F05R * | | | | | | |
| | 2级快动 2modules,Momentary | 3NO | TX1-1G05R * | | | | | | |
| | | 1NC1NO | TX1-1H05R * | | | | | | |
| | | 2NC | TX1-1J05R * | | | | | | |
| | 2级慢动 MBB触点 (先合后断) 2 modules,Squirm MBB contact (connect fist,then disconnect) | 1NC1NO | TX1-1K05R * | | | | | | |
| | | 1NC2NO | TX1-1L05R * | | | | | | |
| | 3级慢动 MBB触点 (先合后断) 3 modules,Squirm MBB contact (connect fist,then disconnect) | 2NC1NO | TX1-1M05R * | | | | | | |

叉式摇杆锁定型 (左操作) V-joystick lock type(left operation)

| 名称和外观 Name and Photo | 触头开关类型 Module Type | 触头数量 Module Q'ty | 订货号码 Order Number | 开关行程图 Picture | 触发类型 Trigger type | 最大触发速度 Maximum triggering speed | 最小触发力 Minimum triggering force | 强制断开力 Mandatory disconnection force | 最小起订量 M.O.Q |
|-------------------------|---|---------------------|----------------------|------------------|----------------------|------------------------------------|-----------------------------------|--|----------------|
| | 2级慢动 2 modules,Squirm | 1NC1NO | TX1-1A07R * | | | 1.5m/s | 5N | 20N | 1 |
| | | 2NC | TX1-1B07R * | | | | | | |
| | | 2NO | TX1-1C07R * | | | | | | |
| | 3级慢动 3 modules,Squirm | 3NC | TX1-1D07R * | | | | | | |
| | | 1NC2NO | TX1-1E07R * | | | | | | |
| | | 2NC1NO | TX1-1F07R * | | | | | | |
| | 2级快动 2modules,Momentary | 3NO | TX1-1G07R * | | | | | | |
| | | 1NC1NO | TX1-1H07R * | | | | | | |
| | | 2NC | TX1-1J07R * | | | | | | |
| | 2级慢动 MBB触点 (先合后断) 2 modules,Squirm MBB contact (connect fist,then disconnect) | 1NC1NO | TX1-1K07R * | | | | | | |
| | | 1NC2NO | TX1-1L07R * | | | | | | |
| | 3级慢动 MBB触点 (先合后断) 3 modules,Squirm MBB contact (connect fist,then disconnect) | 2NC1NO | TX1-1M07R * | | | | | | |

可调滚轮摇杆型 Adjustable roller joystick type

| 名称和外观 Name and Photo | 触头开关类型 Module Type | 触头数量 Module Q'ty | 订货号码 Order Number | 开关行程图 Picture | 触发类型 Trigger type | 最大触发速度 Maximum triggering speed | 最小触发力 Minimum triggering force | 强制断开力 Mandatory disconnection force | 最小起订量 M.O.Q |
|-------------------------|---|---------------------|----------------------|------------------|----------------------|------------------------------------|-----------------------------------|--|----------------|
| | 2级慢动 2 modules,Squirm | 1NC1NO | TX1-1A06R * | | | 1.5m/s | 5N | 20N | 1 |
| | | 2NC | TX1-1B06R * | | | | | | |
| | | 2NO | TX1-1C06R * | | | | | | |
| | 3级慢动 3 modules,Squirm | 3NC | TX1-1D06R * | | | | | | |
| | | 1NC2NO | TX1-1E06R * | | | | | | |
| | | 2NC1NO | TX1-1F06R * | | | | | | |
| | 2级快动 2modules,Momentary | 3NO | TX1-1G06R * | | | | | | |
| | | 1NC1NO | TX1-1H06R * | | | | | | |
| | | 2NC | TX1-1J06R * | | | | | | |
| | 2级慢动 MBB触点 (先合后断) 2 modules,Squirm MBB contact (connect fist,then disconnect) | 1NC1NO | TX1-1K06R * | | | | | | |
| | | 1NC2NO | TX1-1L06R * | | | | | | |
| | 3级慢动 MBB触点 (先合后断) 3 modules,Squirm MBB contact (connect fist,then disconnect) | 2NC1NO | TX1-1M06R * | | | | | | |

叉式摇杆锁定型 (右操作) V-joystick lock type(right operation)

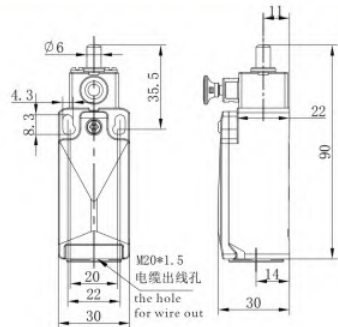
| 名称和外观 Name and Photo | 触头开关类型 Module Type | 触头数量 Module Q'ty | 订货号码 Order Number | 开关行程图 Picture | 触发类型 Trigger type | 最大触发速度 Maximum triggering speed | 最小触发力 Minimum triggering force | 强制断开力 Mandatory disconnection force | 最小起订量 M.O.Q |
|-------------------------|---|---------------------|----------------------|------------------|----------------------|------------------------------------|-----------------------------------|--|----------------|
| | 2级慢动 2 modules,Squirm | 1NC1NO | TX1-1A08R * | | | 1.5m/s | 5N | 20N | 1 |
| | | 2NC | TX1-1B08R * | | | | | | |
| | | 2NO | TX1-1C08R * | | | | | | |
| | 3级慢动 3 modules,Squirm | 3NC | TX1-1D08R * | | | | | | |
| | | 1NC2NO | TX1-1E08R * | | | | | | |
| | | 2NC1NO | TX1-1F08R * | | | | | | |
| | 2级快动 2modules,Momentary | 3NO | TX1-1G08R * | | | | | | |
| | | 1NC1NO | TX1-1H08R * | | | | | | |
| | | 2NC | TX1-1J08R * | | | | | | |
| | 2级慢动 MBB触点 (先合后断) 2 modules,Squirm MBB contact (connect fist,then disconnect) | 1NC1NO | TX1-1K08R * | | | | | | |
| | | 1NC2NO | TX1-1L08R * | | | | | | |
| | 3级慢动 MBB触点 (先合后断) 3 modules,Squirm MBB contact (connect fist,then disconnect) | 2NC1NO | TX1-1M08R * | | | | | | |

标记说明: 触点闭合 Module connect (P)=强制断开点 Mandatory disconnect point NC触点带强制断开功能 NC module with mandatory disconnection function
(Remark) 触点断开 Module disconnect

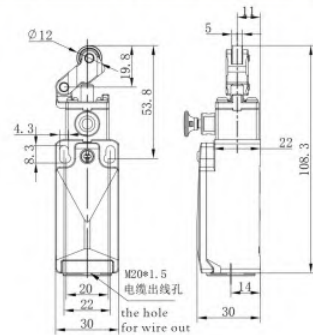
标记说明: 触点闭合 Module connect (P)=强制断开点 Mandatory disconnect point NC触点带强制断开功能 NC module with mandatory disconnection function
(Remark) 触点断开 Module disconnect

外形尺寸图(Boundary Dimension) (mm)

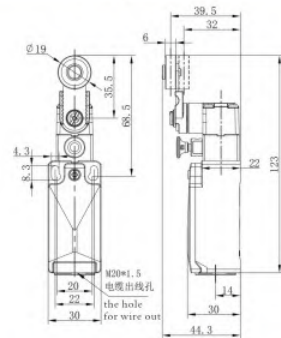
直动型
Straight moving type



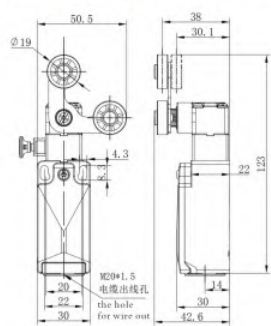
单向悬臂滚轮型 (水平)
One-way cantilever roller type (horizontal)



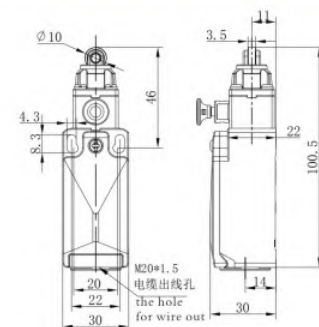
滚轮摇杆型
Roller joystick type



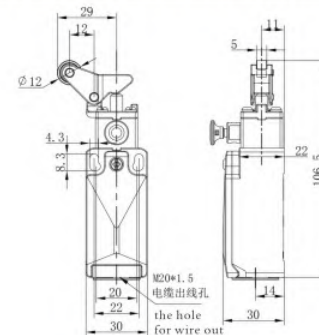
叉式摇杆锁定型 (左操作)
V-joystick lock type (left operation)



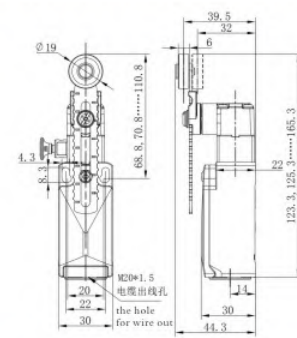
滚轮直动型
Straight running roller type



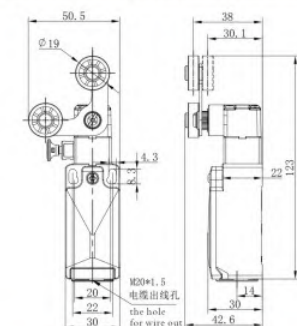
单向悬臂滚轮型 (竖直)
One-way cantilever roller type (Vertical)



可调滚轮摇杆型
Adjustable roller joystick type



叉式摇杆锁定型 (右操作)
V-joystick lock type (right operation)



直动型 Straight moving type

| 名称和外观 Name and Photo | 触头开关类型 Module Type | 触头数量 Module Q'ty | 订货号码 Order Number | 开关行程图 Picture | 触发类型 Trigger type | 最大触发速度 Maximum triggering speed | 最小触发力 Minimum triggering force | 强制断开力 Mandatory disconnection force | 最小起订量 M.O.Q |
|-------------------------|---|---------------------|----------------------|------------------|----------------------|------------------------------------|-----------------------------------|--|----------------|
| | 2级慢动 2 modules, Squirm | 1NC1NO | TX1-2A01R * | | | 1.5m/s | 6.5N | 20N | 1 |
| | | 2NC | TX1-2B01R * | | | | | | |
| | | 2NO | TX1-2C01R * | | | | | | |
| | 3级慢动 3 modules, Squirm | 3NC | TX1-2D01R * | | | | | | |
| | | 1NC2NO | TX1-2E01R * | | | | | | |
| | | 2NC1NO | TX1-2F01R * | | | | | | |
| | 2级快动 2modules, Momentary | 3NO | TX1-2G01R * | | | | | | |
| | | 1NC1NO | TX1-2H01R * | | | | | | |
| | | 2NC | TX1-2J01R * | | | | | | |
| | 2级慢动 MBB触点 (先合后断) 2 modules Squirm MBB contact (connect first, then disconnect) | 1NC1NO | TX1-2K01R * | | | | | | |
| | | 1NC2NO | TX1-2L01R * | | | | | | |
| | | 2NC1NO | TX1-2M01R * | | | | | | |

滚轮直动型 Straight running roller type

| 名称和外观 Name and Photo | 触头开关类型 Module Type | 触头数量 Module Q'ty | 订货号码 Order Number | 开关行程图 Picture | 触发类型 Trigger type | 最大触发速度 Maximum triggering speed | 最小触发力 Minimum triggering force | 强制断开力 Mandatory disconnection force | 最小起订量 M.O.Q |
|-------------------------|---|---------------------|----------------------|------------------|----------------------|------------------------------------|-----------------------------------|--|----------------|
| | 2级慢动 2 modules, Squirm | 1NC1NO | TX1-2A02R * | | | 1m/s | 6.5N | 20N | 1 |
| | | 2NC | TX1-2B02R * | | | | | | |
| | | 2NO | TX1-2C02R * | | | | | | |
| | 3级慢动 3 modules, Squirm | 3NC | TX1-2D02R * | | | | | | |
| | | 1NC2NO | TX1-2E02R * | | | | | | |
| | | 2NC1NO | TX1-2F02R * | | | | | | |
| | 2级快动 2modules, Momentary | 3NO | TX1-2G02R * | | | | | | |
| | | 1NC1NO | TX1-2H02R * | | | | | | |
| | | 2NC | TX1-2J02R * | | | | | | |
| | 2级慢动 MBB触点 (先合后断) 2 modules Squirm MBB contact (connect first, then disconnect) | 1NC1NO | TX1-2K02R * | | | | | | |
| | | 1NC2NO | TX1-2L02R * | | | | | | |
| | | 2NC1NO | TX1-2M02R * | | | | | | |

标记说明: 触点闭合 Module connect (P)=强制断开点 Mandatory disconnect point NC触点带强制断开功能 NC module with mandatory disconnection function (Remark) 触点断开 Module disconnect

带2个电缆出线孔手动复位型 Manual reset with two holes for wire out

滚轮摇杆型 With two holes for wire out

| 名称和外观 Name and Photo | 触头开关类型 Module Type | 触头数量 Module Q'ty | 订货号码 Order Number | 开关行程图 Picture | 触发类型 Trigger type | 最大触发速度 Maximum triggering speed | 最小触发力 Minimum triggering force | 强制断开力 Mandatory disconnection force | 最小起订量 M.O.Q |
|-------------------------|---|---------------------|----------------------|------------------|----------------------|------------------------------------|-----------------------------------|--|----------------|
| | 2级慢动 2 modules, Squirm | 1NC1NO | TX1-1A05R * | | | 1.5m/s | 5N | 20N | 1 |
| | | 2NC | TX1-1B05R * | | | | | | |
| | | 2NO | TX1-1C05R * | | | | | | |
| | 3级慢动 3 modules, Squirm | 3NC | TX1-1D05R * | | | | | | |
| | | 1NC2NO | TX1-1E05R * | | | | | | |
| | | 2NC1NO | TX1-1F05R * | | | | | | |
| | 2级快动 2 modules, Momentary | 3NO | TX1-1G05R * | | | | | | |
| | | 1NC1NO | TX1-1H05R * | | | | | | |
| | | 2NC | TX1-1J05R * | | | | | | |
| | 2级慢动 MBB触点 (先合后断) 2 modules Squirm MBB contact (connect first, then disconnect) | 1NC1NO | TX1-1K05R * | | | | | | |
| | | 1NC2NO | TX1-1L05R * | | | | | | |
| | 3级慢动 MBB触点 (先合后断) 3 modules Squirm MBB contact (connect first, then disconnect) | 2NC1NO | TX1-1M05R * | | | | | | |

单向悬臂滚轮型 (水平) One-way cantilever roller type (horizontal)

| 名称和外观 Name and Photo | 触头开关类型 Module Type | 触头数量 Module Q'ty | 订货号码 Order Number | 开关行程图 Picture | 触发类型 Trigger type | 最大触发速度 Maximum triggering speed | 最小触发力 Minimum triggering force | 强制断开力 Mandatory disconnection force | 最小起订量 M.O.Q |
|-------------------------|---|---------------------|----------------------|------------------|----------------------|------------------------------------|-----------------------------------|--|----------------|
| | 2级慢动 2 modules, Squirm | 1NC1NO | TX1-1A07R * | | | 1.5m/s | 5N | 20N | 1 |
| | | 2NC | TX1-1B07R * | | | | | | |
| | | 2NO | TX1-1C07R * | | | | | | |
| | 3级慢动 3 modules, Squirm | 3NC | TX1-1D07R * | | | | | | |
| | | 1NC2NO | TX1-1E07R * | | | | | | |
| | | 2NC1NO | TX1-1F07R * | | | | | | |
| | 2级快动 2 modules, Momentary | 3NO | TX1-1G07R * | | | | | | |
| | | 1NC1NO | TX1-1H07R * | | | | | | |
| | | 2NC | TX1-1J07R * | | | | | | |
| | 2级慢动 MBB触点 (先合后断) 2 modules Squirm MBB contact (connect first, then disconnect) | 1NC1NO | TX1-1K07R * | | | | | | |
| | | 1NC2NO | TX1-1L07R * | | | | | | |
| | 3级慢动 MBB触点 (先合后断) 3 modules Squirm MBB contact (connect first, then disconnect) | 2NC1NO | TX1-1M07R * | | | | | | |

可调滚轮摇杆型 Adjustable roller joystick type

| 名称和外观 Name and Photo | 触头开关类型 Module Type | 触头数量 Module Q'ty | 订货号码 Order Number | 开关行程图 Picture | 触发类型 Trigger type | 最大触发速度 Maximum triggering speed | 最小触发力 Minimum triggering force | 强制断开力 Mandatory disconnection force | 最小起订量 M.O.Q |
|-------------------------|---|---------------------|----------------------|------------------|----------------------|------------------------------------|-----------------------------------|--|----------------|
| | 2级慢动 2 modules, Squirm | 1NC1NO | TX1-1A06R * | | | 1.5m/s | 5N | 20N | 1 |
| | | 2NC | TX1-1B06R * | | | | | | |
| | | 2NO | TX1-1C06R * | | | | | | |
| | 3级慢动 3 modules, Squirm | 3NC | TX1-1D06R * | | | | | | |
| | | 1NC2NO | TX1-1E06R * | | | | | | |
| | | 2NC1NO | TX1-1F06R * | | | | | | |
| | 2级快动 2 modules, Momentary | 3NO | TX1-1G06R * | | | | | | |
| | | 1NC1NO | TX1-1H06R * | | | | | | |
| | | 2NC | TX1-1J06R * | | | | | | |
| | 2级慢动 MBB触点 (先合后断) 2 modules Squirm MBB contact (connect first, then disconnect) | 1NC1NO | TX1-1K06R * | | | | | | |
| | | 1NC2NO | TX1-1L06R * | | | | | | |
| | 3级慢动 MBB触点 (先合后断) 3 modules Squirm MBB contact (connect first, then disconnect) | 2NC1NO | TX1-1M06R * | | | | | | |

标记说明: 触点闭合 Module connect (P)=强制断开点 Mandatory disconnect point NC触点带强制断开功能 NC module with mandatory disconnection function
(Remark) 触点断开 Module disconnect

标记说明: 触点闭合 Module connect (P)=强制断开点 Mandatory disconnect point NC触点带强制断开功能 NC module with mandatory disconnection function
(Remark) 触点断开 Module disconnect

■ 叉式摇杆锁定型 (左操作) V-joystick lock type(left operation)

| 名称和外观 Name and Photo | 触头开关类型 Module Type | 触头数量 Module Q'ty | 订货号码 Order Number | 开关行程图 Picture | 触发速度 Trigger Speed | 钥匙插入力 Key Insert Force | 钥匙拔出力 Key Pulling-out Force | 最小起订量 M.O.Q | |
|-------------------------|--|--|----------------------|------------------|-----------------------|---------------------------|--------------------------------|----------------|--|
| | 2级慢动 2 modules,Squirm | 1NC1NO | TX1-1A05R* | | 1.5m/s | 5N | 20N | 1 | |
| | | 2NC | TX1-1B05R* | | | | | | |
| | | 2NO | TX1-1C05R* | | | | | | |
| | 3级慢动 3 modules,Squirm | 3NC | TX1-1D05R* | | | | | | |
| | | 1NC2NO | TX1-1E05R* | | | | | | |
| | | 2NC1NO | TX1-1F05R* | | | | | | |
| | 2级快动 2modules,Momentary | 3NO | TX1-1G05R* | | | | | | |
| | | 1NC1NO | TX1-1H05R* | | | | | | |
| | | 2NC | TX1-1J05R* | | | | | | |
| | 2级慢动 MBB接点 (先合后断) 2 modules Squirm MBB contact (connect fist ,then disconnect) | 1NC1NO | TX1-1K05R* | | | | | | |
| | | 3级慢动 MBB接点 (先合后断) 3 modules Squirm MBB contact (connect fist ,then disconnect) | 1NC2NO | TX1-1L05R* | | | | | |
| | | | 2NC1NO | TX1-1M05R* | | | | | |

■ 叉式摇杆锁定型 (右操作) V-joystick lock type(right operation)

| 名称和外观 Name and Photo | 触头开关类型 Module Type | 触头数量 Module Q'ty | 订货号码 Order Number | 开关行程图 Picture | 触发类型 | 最大触发速度 | 最小触发力 | 强制断开力 | 最小起订量 M.O.Q | |
|-------------------------|--|--|----------------------|------------------|------|--------|-------|-------|----------------|--|
| | 2级慢动 2 modules,Squirm | 1NC1NO | TX1-1A06R* | | 强制断开 | 1.5m/s | 5N | 20N | 1 | |
| | | 2NC | TX1-1B06R* | | | | | | | |
| | | 2NO | TX1-1C06R* | | | | | | | |
| | 3级慢动 3 modules,Squirm | 3NC | TX1-1D06R* | | | | | | | |
| | | 1NC2NO | TX1-1E06R* | | | | | | | |
| | | 2NC1NO | TX1-1F06R* | | | | | | | |
| | 2级快动 2modules,Momentary | 3NO | TX1-1G06R* | | | | | | | |
| | | 1NC1NO | TX1-1H06R* | | | | | | | |
| | | 2NC | TX1-1J06R* | | | | | | | |
| | 2级慢动 MBB接点 (先合后断) 2 modules Squirm MBB contact (connect fist ,then disconnect) | 1NC1NO | TX1-1K06R* | | | | | | | |
| | | 3级慢动 MBB接点 (先合后断) 3 modules Squirm MBB contact (connect fist ,then disconnect) | 1NC2NO | TX1-1L06R* | | | | | | |
| | | | 2NC1NO | TX1-1M06R* | | | | | | |

标记说明: 触点闭合 Module connect (P)=强制断开点 Mandatory disconnect point NC触点带强制断开功能 NC module with mandatory disconnection function
(Remark) 触点断开 Module disconnect

外形尺寸图(Boundary Dimension) (mm)

| 直动型 Straight moving type | 滚轮直动型 Straight running roller type |
|---|--|
| | |
| 单向悬臂滚轮型 (水平) One-way cantilever roller type (horizontal) | 滚轮摇杆型 Roller joystick type |
| | |
| 可调滚轮摇杆型 Adjustable roller joystick type | 叉式摇杆锁定型 (左操作) V-joystick lock type (left operation) |
| | |
| 叉式摇杆锁定型 (右操作) V-joystick lock type(right operation) | |
| | |

安装尺寸:挡块的角度、位置请参见下图 (符合EN50047标准)
Mounting Dimension: see below picture for the angle and position of the block (In accordance with EN50047)

| 滚轮摇杆型 Roller joystick type | 直动型 Straight moving type |
|---|---|
| | |
| 滚轮直动型 Straight running roller type | |
| | |
| 单向悬臂滚轮型 (水平) One-way cantilever roller type (horizontal) | 单向悬臂滚轮型 (竖直) One-way cantilever roller type (vertical) |
| | |
| 叉式摇杆锁定型 (左操作) V-joystick lock type (left operation) | 叉式摇杆锁定型 (右操作) V-joystick lock type (right operation) |
| | |

标记说明 Remark : A-触发点 A-trigger point H-触发行程 H: trigger limit

■ 门锁型钥匙水平安装 Door lock horizontal mounting

| 名称和外观 Name and Photo | 触头开关类型 Module Type | 触头数量 Module Q'ty | 订货号码 Order Number | 开关行程图 Picture | 触发速度 Trigger Speed | 钥匙插入力 Key Insert Force | 钥匙拔出力 Key Pulling-out Force | 最小起订量 M.O.Q |
|-------------------------|--|---------------------|----------------------|------------------|-----------------------|---------------------------|--------------------------------|----------------|
| | 1NC1NO | 2 | TX1-1ASK1* | | 0.1m/s -0.5m/s | MAX:15N | MAX:30N | 1 |
| | 2级慢动 2 modules,Squirm | 2NC | TX1-1BSK1* | | | | | |
| | 2NO | TX1-1CSK1* | | | | | | |
| | 3级慢动 3 modules,Squirm | 3NC | TX1-1DSK1* | | | | | |
| | | 1NC2NO | TX1-1ESK1* | | | | | |
| | | 2NC1NO | TX1-1FSK1* | | | | | |
| | 3NO | TX1-1GSK1* | | | | | | |
| | 2级快动 2modules,Momentary | 1NC1NO | TX1-1HSK1* | | | | | |
| | | 2NC | TX1-1JSK1* | | | | | |
| | 2级慢动 MBB触点 (先合后断) 2 modules Squirm MBB contact (connect fist ,then disconnect) | 1NC1NO | TX1-1KSK1* | | | | | |
| | | 1NC2NO | TX1-1LSK1* | | | | | |
| | 3级慢动 MBB触点 (先合后断) 3 modules Squirm MBB contact (connect fist ,then disconnect) | 2NC1NO | TX1-1MSK1* | | | | | |

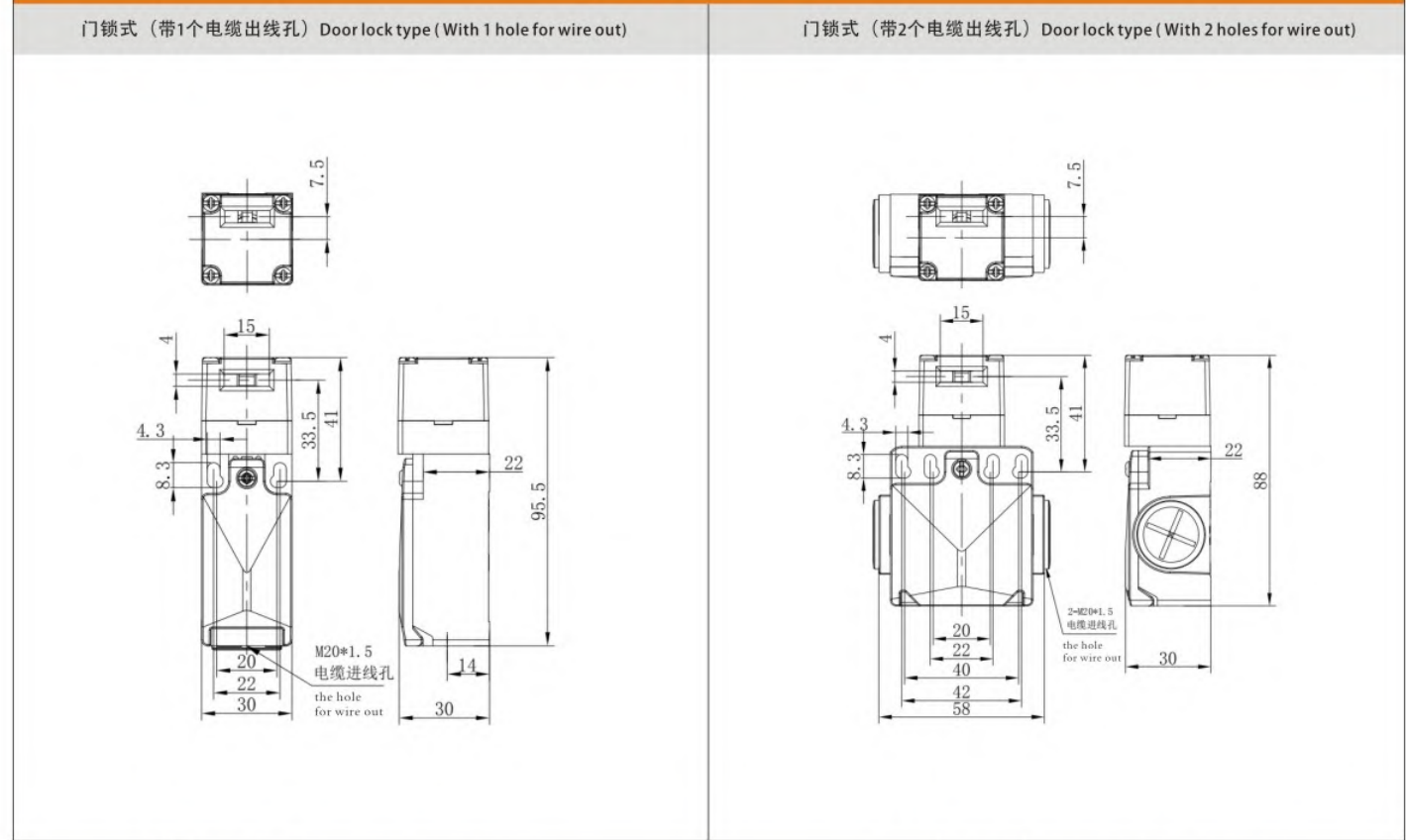
■ 门锁型钥匙竖直安装 Door lock vertical mounting

| 名称和外观 Name and Photo | 触头开关类型 Module Type | 触头数量 Module Q'ty | 订货号码 Order Number | 开关行程图 Picture | 触发速度 Trigger Speed | 钥匙插入力 Key Insert Force | 钥匙拔出力 Key Pulling-out Force | 最小起订量 M.O.Q |
|-------------------------|--|---------------------|----------------------|------------------|-----------------------|---------------------------|--------------------------------|----------------|
| | 1NC1NO | 2 | TX1-1ASK2* | | 0.1m/s -0.5m/s | MAX:15N | MAX:30N | 1 |
| | 2级慢动 2 modules,Squirm | 2NC | TX1-1BSK2* | | | | | |
| | 2NO | TX1-1CSK2* | | | | | | |
| | 3级慢动 3 modules,Squirm | 3NC | TX1-1DSK2* | | | | | |
| | | 1NC2NO | TX1-1ESK2* | | | | | |
| | | 2NC1NO | TX1-1FSK2* | | | | | |
| | 3NO | TX1-1GSK2* | | | | | | |
| | 2级快动 2modules,Momentary | 1NC1NO | TX1-1HSK2* | | | | | |
| | | 2NC | TX1-1JSK2* | | | | | |
| | 2级慢动 MBB触点 (先合后断) 2 modules Squirm MBB contact (connect fist ,then disconnect) | 1NC1NO | TX1-1KSK2* | | | | | |
| | | 1NC2NO | TX1-1LSK2* | | | | | |
| | 3级慢动 MBB触点 (先合后断) 3 modules Squirm MBB contact (connect fist ,then disconnect) | 2NC1NO | TX1-1MSK2* | | | | | |

■ 门锁型钥匙水平安装 Door lock horizontal mounting

| 名称和外观 Name and Photo | 触头开关类型 Module Type | 触头数量 Module Q'ty | 订货号码 Order Number | 开关行程图 Picture | 触发速度 Trigger Speed | 钥匙插入力 Key Insert Force | 钥匙拔出力 Key Pulling-out Force | 最小起订量 M.O.Q. |
|-------------------------|--|--|----------------------|------------------|-----------------------|---------------------------|--------------------------------|-----------------|
| | 2级慢动 2 modules,Squirm | 1NC1NO | TX1-2ASK1* | | 0.1m/s -0.5m/s | MAX:15N | MAX:30N | 1 |
| | | 2NC | TX1-2BSK1* | | | | | |
| | | 2NO | TX1-2CSK1* | | | | | |
| | 3级慢动 3 modules,Squirm | 3NC | TX1-2DSK1* | | | | | |
| | | 1NC2NO | TX1-2ESK1* | | | | | |
| | | 2NC1NO | TX1-2FSK1* | | | | | |
| | 2级快动 2modules,Momentary | 1NC1NO | TX1-2HSK1* | | | | | |
| | | 2NC | TX1-2JSK1* | | | | | |
| | | 2级慢动 MBB触点 (先合后断) 2 modules,Squirm MBB contact (connect first,then disconnect) | 1NC1NO | TX1-2KSK1* | | | | |
| | 3级慢动 MBB触点 (先合后断) 3 modules,Squirm MBB contact (connect first,then disconnect) | 1NC2NO | TX1-2LSK1* | | | | | |
| | | 2NC1NO | TX1-2MSK1* | | | | | |

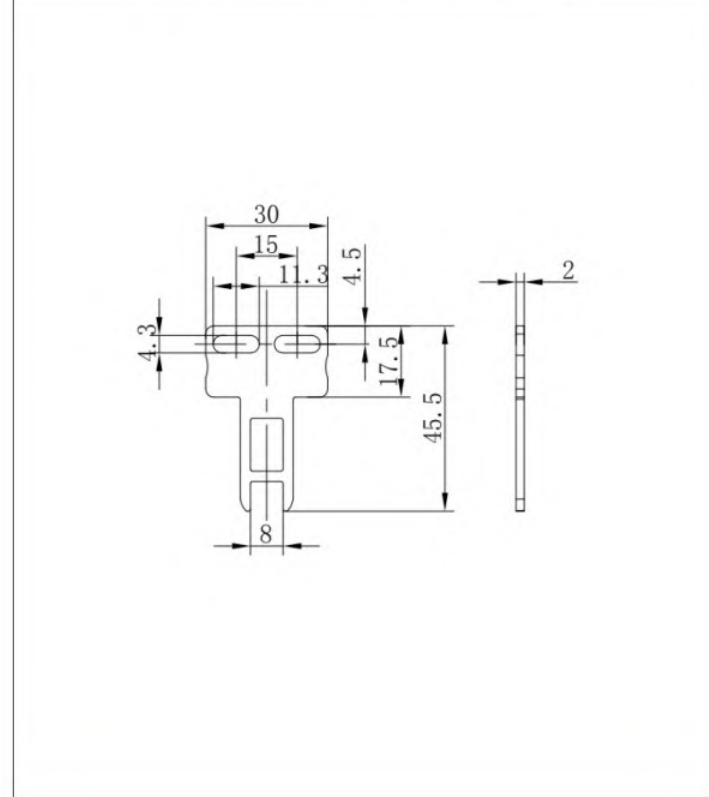
外形尺寸图
Boundary Dimension (mm)



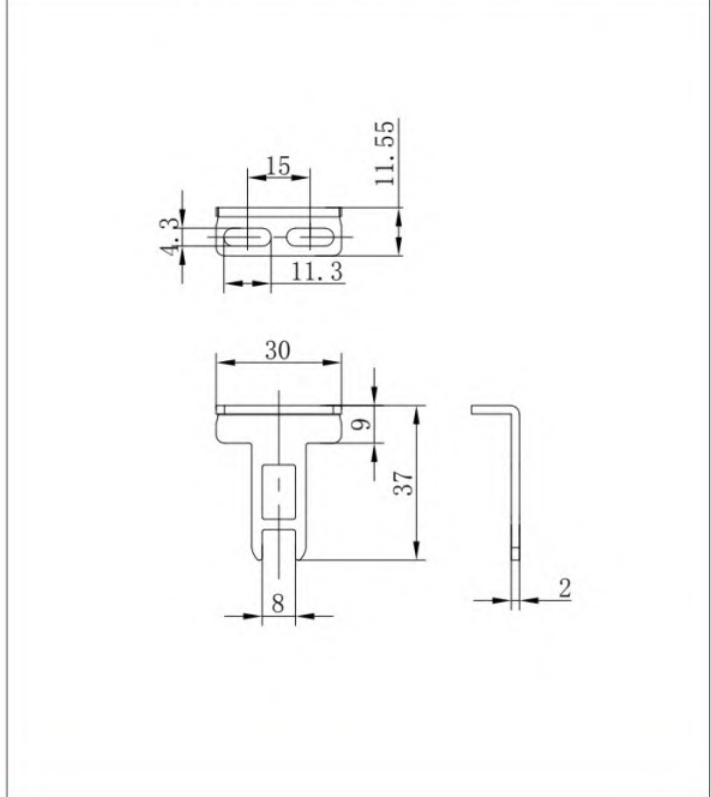
■ 门锁型钥匙垂直安装 Door lock vertical mounting

| 名称和外观 Name and Photo | 触头开关类型 Module Type | 触头数量 Module Q'ty | 订货号码 Order Number | 开关行程图 Picture | 触发速度 Trigger Speed | 钥匙插入力 Key Insert Force | 钥匙拔出力 Key Pulling-out Force | 最小起订量 M.O.Q. |
|-------------------------|--|--|----------------------|------------------|-----------------------|---------------------------|--------------------------------|-----------------|
| | 2级慢动 2 modules,Squirm | 1NC1NO | TX1-2ASK2* | | 0.1m/s -0.5m/s | MAX:15N | MAX:30N | 1 |
| | | 2NC | TX1-2BSK2* | | | | | |
| | | 2NO | TX1-2CSK2* | | | | | |
| | 3级慢动 3 modules,Squirm | 3NC | TX1-2DSK2* | | | | | |
| | | 1NC2NO | TX1-2ESK2* | | | | | |
| | | 2NC1NO | TX1-2FSK2* | | | | | |
| | 2级快动 2modules,Momentary | 1NC1NO | TX1-2HSK2* | | | | | |
| | | 2NC | TX1-2JSK2* | | | | | |
| | | 2级慢动 MBB触点 (先合后断) 2 modules,Squirm MBB contact (connect first,then disconnect) | 1NC1NO | TX1-2KSK2* | | | | |
| | 3级慢动 MBB触点 (先合后断) 3 modules,Squirm MBB contact (connect first,then disconnect) | 1NC2NO | TX1-2LSK2* | | | | | |
| | | 2NC1NO | TX1-2MSK2* | | | | | |

操作钥匙水平安装 Key operation horizontal mounting

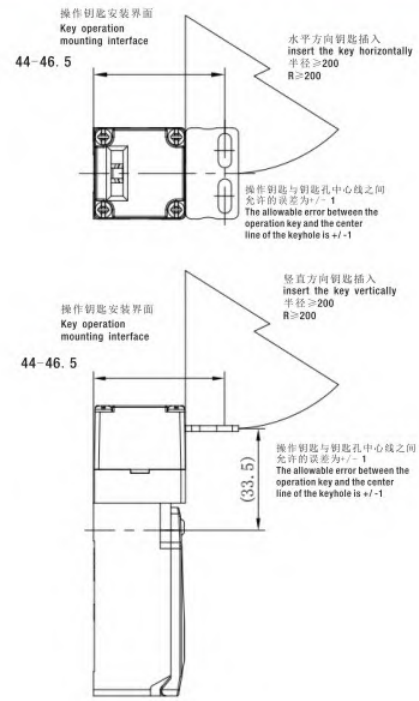


操作钥匙垂直安装 Key operation vertical mounting

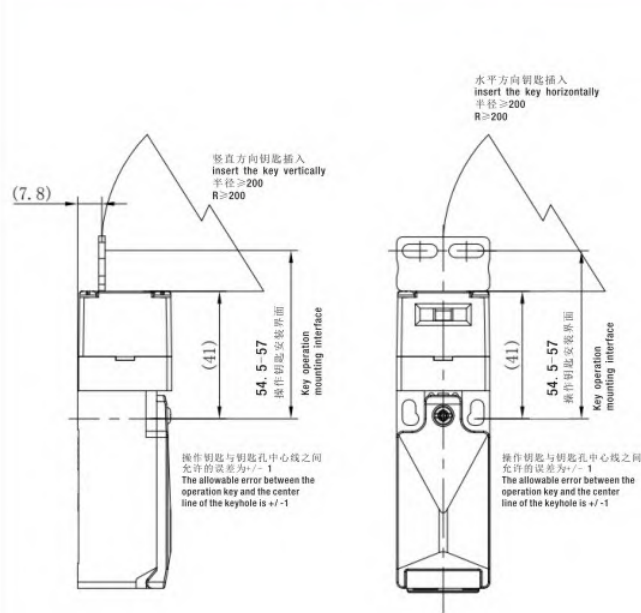


门锁型安装尺寸: 钥匙插入半径参见下图 Door lock mounting size: see below figure for key insert radius

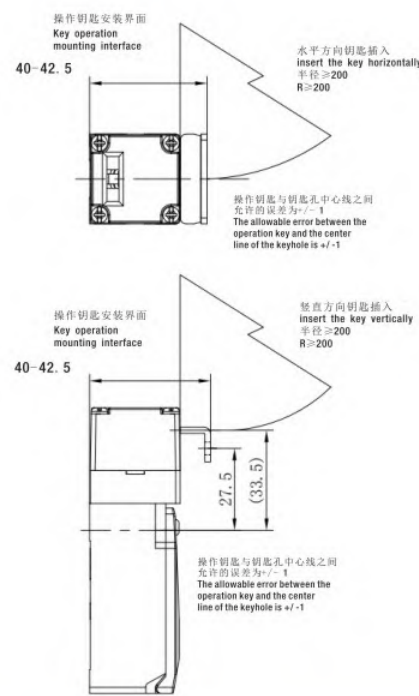
门锁型钥匙水平安装, 前侧操作钥匙时
Horizontal mounting, Key operate from front



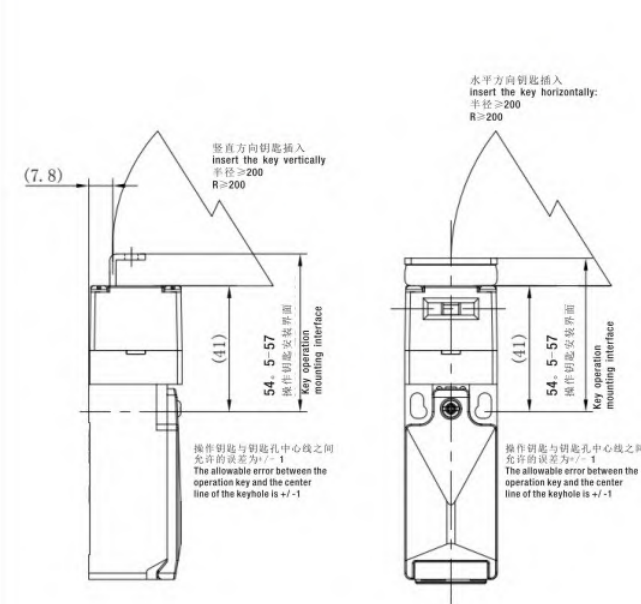
门锁型钥匙水平安装, 顶部操作钥匙时
Horizontal mounting, Key operate from top



门锁型钥匙垂直安装, 前侧操作钥匙时
Vertical mounting, Key operate from front



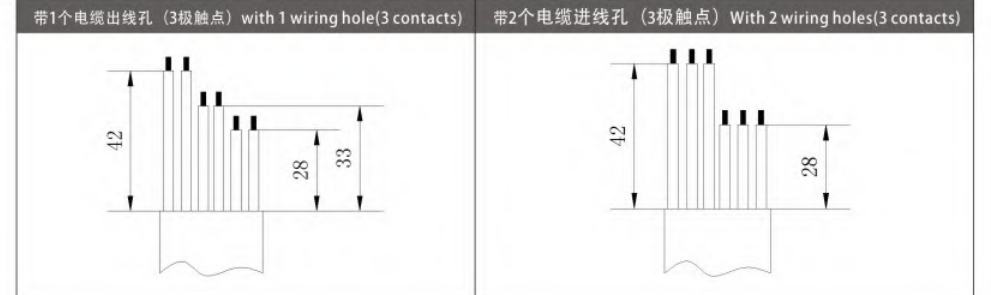
门锁型钥匙垂直安装, 顶部操作钥匙时
Vertical mounting, Key operate from top



注意事项 Remark

1. 接线 Wiring

请按照下图所示加工导线长度。否则多余的导线可能引起外壳凸起或者接触不严。
Please process the wire length as shown in the figure below. Otherwise, extra wires may cause the casing to bulge or loose contact.



2. 电缆出线孔 Cable outlet hole

请使用正确扭矩拧紧。如果用太大的扭矩旋紧, 可能会导致外壳破损。
接线时, 没有使用的出线孔请使用并拧紧出线孔盖。
Please tighten with correct torque. If you tighten too tense, you may damage the housing.
When wiring, use and tighten the outlet hole cover for the outlet hole which is not in use.



3. 头部旋转 Head rotation

所有操作头部可沿4个方向90°旋转; 摇杆型头部, 摇杆与转轴为齿状咬合, 可以10度为等级进行角度调节。改变头部安装方向时, 请根据实际情况, 以免产品干涉。
All operation heads can rotate 90° along 4 directions; Joystick head, joystick and rotating shaft are dentate occlusion, can be 10 degrees for the level of Angle adjustment. When changing the installation direction of the head, please follow the actual situation to avoid product interference.

4. 安装注意事项 Precautions for installation

在完成接线后以及使用开关前, 请务必安装外盖。请勿在外盖打开的情况下接通电源。否则可能触电。当安装外盖时, 请确认密封圈状态, 并确认没有异物。如果外盖附带的密封圈沾染异物或者发生错位, 会影响产品密封性能请使用正确的外盖安装螺钉, 否则会影响产品密封性能。从四角取下螺钉改变头部安装方向时, 应确保头部没有异物。
Be sure to install the outer cover after wiring and before using the switch. Do not switch on the power when the outer cover is open. Otherwise you might get an electric shock. When installing the outer cover, make sure the seal ring is in good condition and there is no foreign matter. If the sealing ring attached to the outer cover is stained with foreign body or misaligned, the sealing performance of the product will be affected. Please use the correct outer cover mounting screw, otherwise it will affect the sealing performance of the product. When removing the screws from the corners to change the direction of the head, make sure there are no foreign bodies in the head.

5. 使用注意事项 Notes for use

开关可用于标准负载以及微小负载, 然而一旦将触点用于开关一个负载, 将不能用于开关更小的负载。因为触点在使用后, 触点表面可能会变得粗糙而导致小负载的接触可靠性降低。确保挡块以正确角度接触传动杆, 如果斜向地向开关的传动杆、滚轮施加负载, 会导致传动杆以及运转轴的变形、损坏。
Switches can be used for standard loads as well as small loads, but once a contact is used to one load, it cannot be used to a smaller load. Since the contact surface may become rough after use, the contact reliability of smaller load may be reduced. Make sure that the block contacts the driving rod at the right Angle. If the load applied to the driving rod and roller of was inclined, the driving rod and the rotating shaft will be deformed and damaged.

电梯门开关 Elevator Door Switch

电梯门开关技术参数 Elevator Door Switch Technical Data

| | |
|---|--|
| 技术标准 Standard | IEC60947-1 IEC60947-5-1 GB7588 EN81 |
| 认证 Approval | EN81 |
| 是否适用电梯 Suitable for lift(Y/N) | 是 Yes |
| 储存及运输环境温度 Storage Ambient Temperature | -40°C ~ 80°C |
| 使用环境温度 Usage Ambient Temperature | -30°C ~ 70°C |
| 防护等级 Protection Level | IP20 |
| 相对湿度 Relative Humidity | 小于95%, 无凝露 <95%, Non-condensing |
| 接触电阻 Contact Resistance | <300mΩ |
| 工频耐压(Uimp) Power Frequency Withstand Voltage | 2000V•1min |
| 绝缘耐压(Ui) Insulation Voltage | 500V |
| 约定发热电流(Ith) Conventional Thermal Current | 4A |
| 机械寿命(次) Mechanical Endurance(Cycles) | 大于1000万次 >10,000,000 |
| 电气寿命(次) Electrical Endurance(Cycles) | EDS-AFB-E EDS-ASB-E > 400万次 EDS-AFB-S EDS-ASB-S > 300万次 |
| 操作频率 Switching Frequency | 30次/分钟 30/min |
| 应用类别 Utilization Category | AC-15:230V/2A DC-13:200V/2A |
| 触点表面材料 Contact Material | 银合金 Silver Alloy |
| 接线方式 Design of Connection | 2个M3.5螺钉连接 2 Screw connection (M3.5) |
| 安装方式 Mounting Type | 2个M4螺母固定 2 Screw fixing (M4) |
| 导线截面积 Wire Cross-sections | 0.5mm ² -1.5mm ² |
| 工作原理 Switching Principle | 自清洁压力接触 Self-cleaning press contact |



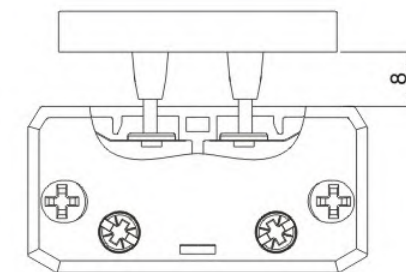
订货明细 Ordering Details

| 名称和外观 Name and Photo | 颜色 Color | 订货号码 Order Number | 最小起订量 M.O.Q | 外形尺寸图 Boundary Dimension(mm) |
|-------------------------|-------------|----------------------|----------------|---------------------------------|
| 基座 Base | ● | EDS-BSS00-E | 100 | |
| | ⊙ | EDS-BSS00-S | | |
| 操作件 Actuator1 | ● | EDS-APF00-E | 200 | |
| | ⊙ | EDS-APS00-S | | |
| 操作件 Actuator2 | ● | EDS-APS00-E | 200 | |
| | ⊙ | EDS-APF00-S | | |

成套组合 Complete

| 名称和外观 Name and Photo | 颜色 Color | 订货号码 Order Number | 最小起订量 M.O.Q | 备注 Remark |
|-------------------------|-------------|----------------------|----------------|--|
| | ● | EDS-AFB-E | 100 | 操作件为黑色, 基座黑色 Actuator is black, base is black |
| | ⊙ | EDS-AFB-S | | 操作件为黑色, 基座透明 Actuator is black, base is transparent |
| | ● | EDS-ASB-E | 100 | 操作件为黑色, 基座黑色 Actuator is black, base is black |
| | ⊙ | EDS-ASB-S | | 操作件为黑色, 基座透明 Actuator is black, base is transparent |

操作力如下图所示 Actuating force table Below



| | 初始位置 Start of travel | 推荐位移值 Recommended travel value | 终点位置 End of travel |
|---------------|-------------------------|-----------------------------------|-----------------------|
| 位移 Travel(mm) | 0 | 4 | 7 |
| 力 Force(N) | 0 | 1.50 | 1.80 |

Tolerance 公差 +/-20%